

*Spare part's book*

# **SHERCO**

*Motorcycles*



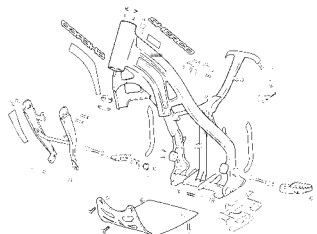
**WORLD TRIAL TEAM**

**OS**  
SERIES

**4T** FOUR STROKE

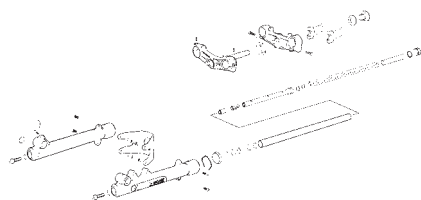
## Index / Index / Índice

1 Cadre / Frame / Chasis



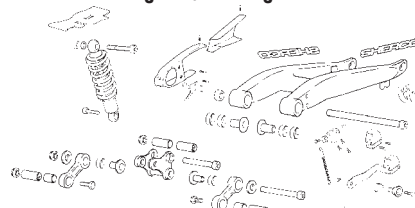
pag. 1 - 4

2 Fourche / Fork / Horquilla



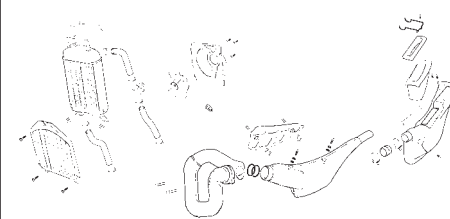
pag. 5 - 8

3 Amortisseur - Bras oscillant / Rear Shock - Swingarm / Amortiguador - Basculante



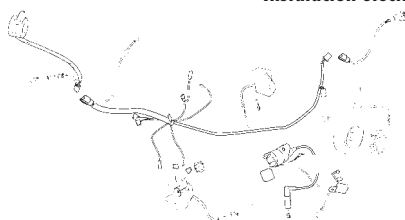
pag. 9 - 12

4 Radiateur / Radiator / Radiado



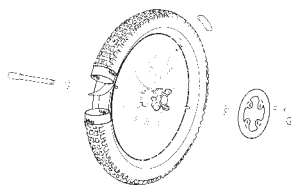
pag. 13 - 16

5 Faisceau électrique / Electrical system / Instalación eléctrica



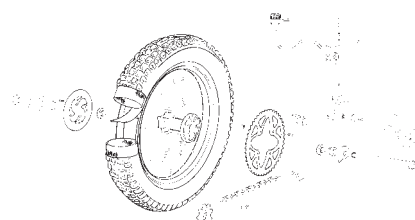
pag. 17 - 18

6 Roue avant / Front wheel / Rueda delantera



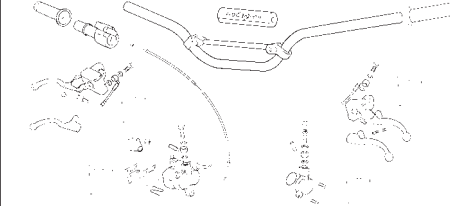
pag. 19 - 20

7 Roue arrière / Rear wheel / Rueda trasera



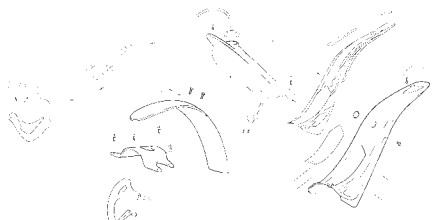
pag. 21 - 24

8 Guidon / Handlebar / Manillar



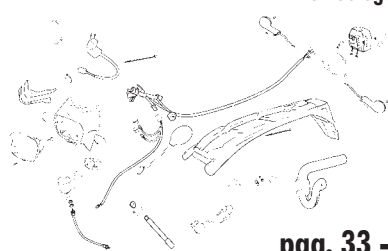
pag. 25 - 28

9 Plastiques / Plastics / Plásticos



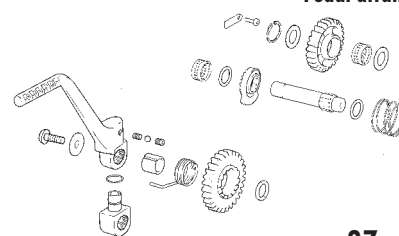
pag. 29 - 32

10 Kit homologation / Kit homologation / Kit homologación



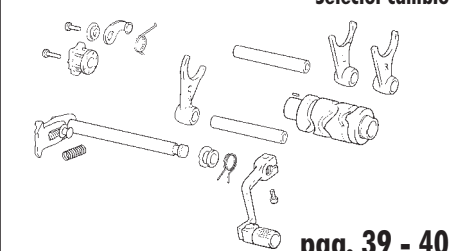
pag. 33 - 36

11 Lanceur / Kickstarter assembly / Pedal arranque



pag. 37 - 38

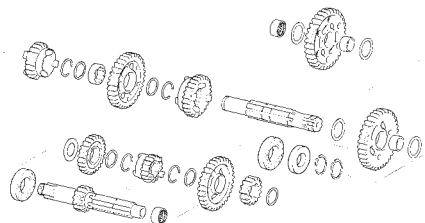
12 Selecteur / Gear selector group / Selector cambio



pag. 39 - 40

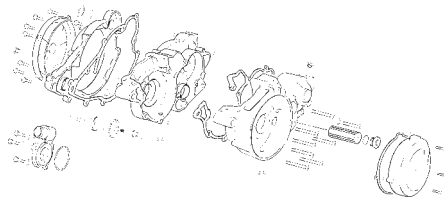
## Index / Index / Índice

**13** Boite a vitesses / Gear set / Cambio



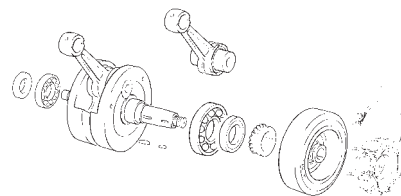
pag. 41 - 44

**14** Groupe carters / Crankcase assembly / Grupo carters



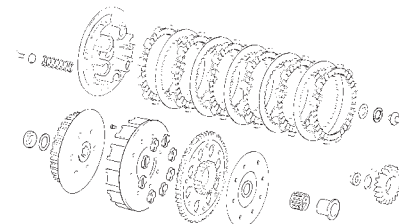
pag. 45 - 48

**15** Villebrequin assemble / Crankshaft assembly / Cigüeñal biela



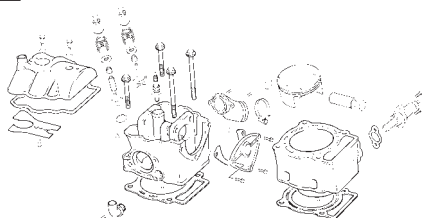
pag. 49 - 50

**16** Embrayage / Clutch / Embrague



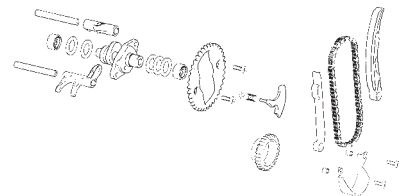
pag. 51 - 52

**17** Cylindre / Cylinder / Cilindro



pag. 53 - 58

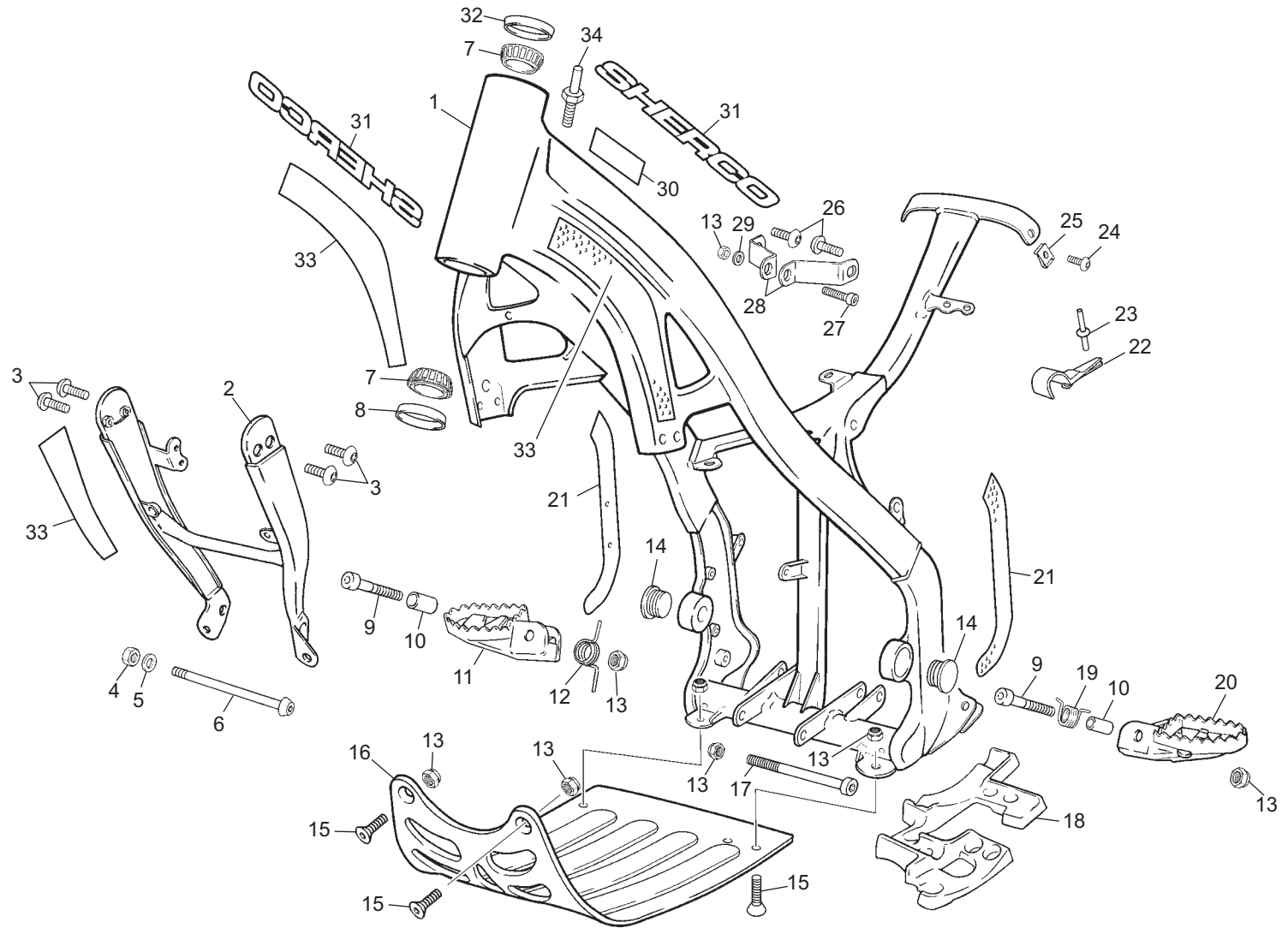
**18** Distribution / Camshaft and drive assembly / Distribución



pag. 59 - 60



**Cadre / Frame / Chasis**

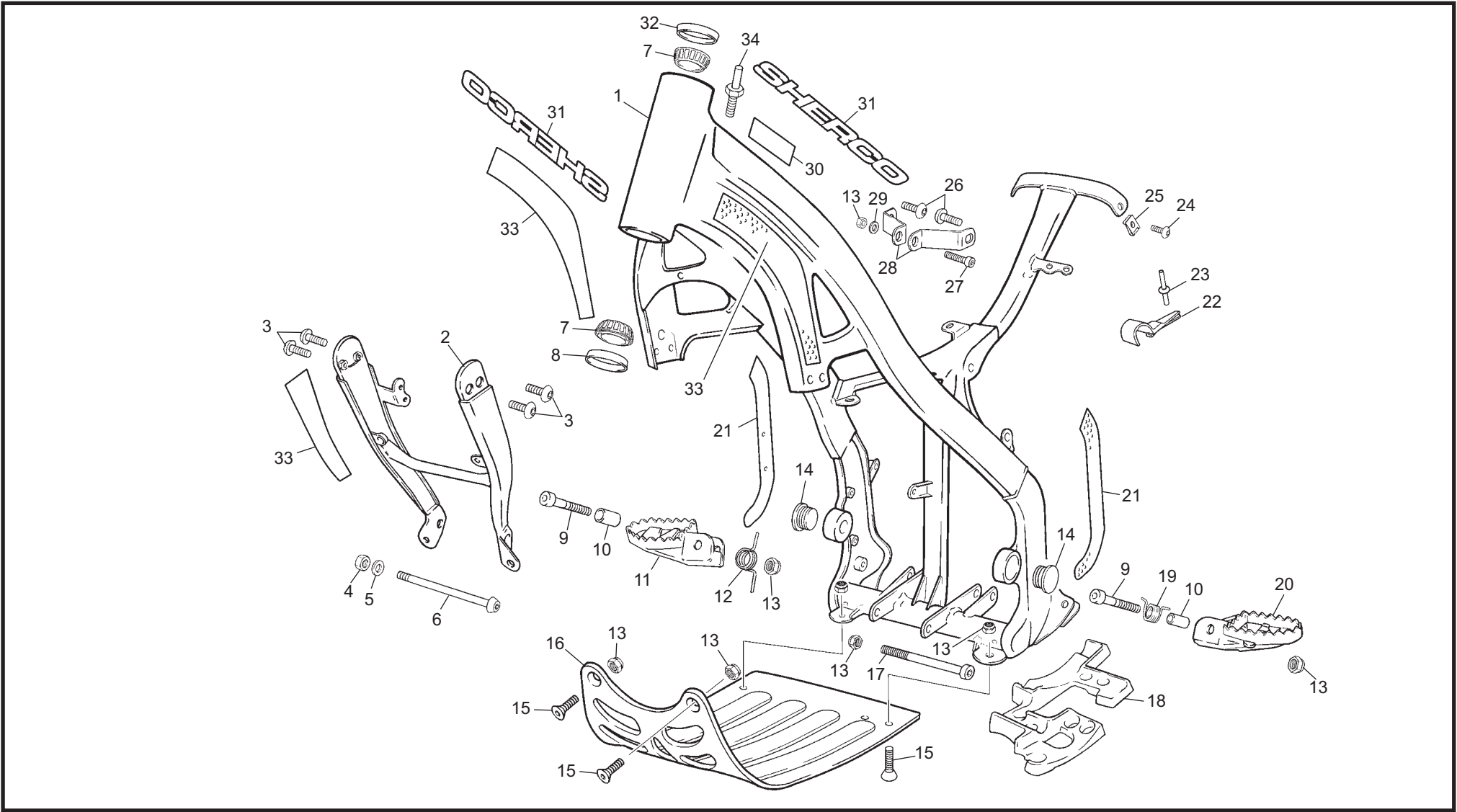


**Cadre / Frame / Chasis**

POS.	3,2 4T	FRANÇAIS	ENGLISH	ESPAÑOL
<b>1</b>	C659	CADRE 4T TRIAL	FRAME TRIAL 4T	CHASIS TRIAL 4T
<b>2</b>	C660	AVANT CADRE 4T	FRONT FRAME 4T	DELANTERA CHASIS TRIAL 4T
<b>3</b>	M281	VIS BHC 8 X 12	SCREW BHC 8 X 12	TORNILLO 8 X 12 ULS
<b>4</b>	M304	ECROU NYLSTOP M10 0368.10	NUT NYLSTOP M10	TUERCA NYLSTOP M10
<b>5</b>	M308	ECROU CLIP M6	NUT CLIP M6	TUERCA CLIP M6
<b>6</b>	M296	AXE MOTEUR AV	FRONT PIN ENGINE	TORNILLO MOTOR ALUMINIO
<b>7</b>	C009	ROULEMENT COLONNE DIRECTION R32004	STEERING BEARING R32004	RODAMIENTO DIRECCION R32004
<b>8</b>	C011	BAGUE DE PROTECTION BASSE	FORK ALUMINIUM WHASHER	ARANDELA GUARDA POLVO INF
<b>9</b>	M264	VIS CHC 8 X 45 0084	SCREW CHC 8 X 45	TORNILLO 8 X 45 ALLEN
<b>10</b>	C007	ENTRETOISE REPOSE PIED	SPACER FOOT PEG	CASQUILLO ESTRIBERA
<b>11</b>	C005	REPOSE PIED DROITE	RIGHT FOOTPEG	ESTRIBERA DERECHA
<b>12</b>	C008	RESSORT REPOSE PIED DROITE	RIGHT FOOTPEG SPRING	MUELLE ESTRIBERA DERECHA
<b>13</b>	M305	ECROU NYLSTOP M8 0368.8	NUT NYLSTOP M8	TUERCA NYLSTOP M8
<b>14</b>	C165	BOUCHON AXE BRAS OSCILLANT DIAM 35	COVER SWING ARM AXLE DIAM 35	TAPÓN EJE BASCULANTE DIAM 35
<b>15</b>	M301	VIS FHC 8 X 20 1089	SCREW FHC 8 X 20	TORNILLO AVELLANADO M 8 X 20
<b>16</b>	C003	SABOT	BASH PLATE	PROTECTOR CARTERS MOTOR
<b>17</b>	M266	VIS CHC 8 X 80 0084	SCREW CHC 8 X 80	TORNILLO 8 X 80 ALLEN
<b>18</b>	C578	CAOUTCHOUC MOTEUR EVOLUTION2	BASH PLATE RUBBER EVOLUTION2	CAUCHO PLACA MOTOR EVOLUTION2
<b>19</b>	C012	RESSORT DE REPOSE PIED GAUCHE	LEFT FOOT PEG SPRING	MUELLE ESTRIBERA IZQUIERDA
<b>20</b>	C006	REPOSE PIED GAUCHE	LEFT FOOTPEG	ESTRIBERA IZQUIERDA
<b>21</b>	C633	ADHESIF PROTECTION CADRE PAIRE 2004	FRAME PROTECTOR STICKER PAIR 2004	ADHESIVO PROTECTOR CHASIS JUEGO 2004
<b>22</b>	C013	PATIN CHAINE CADRE	SRIVET POP DIAM	PATÍN CADENA CHASIS

**1**

**Cadre / Frame / Chasis**



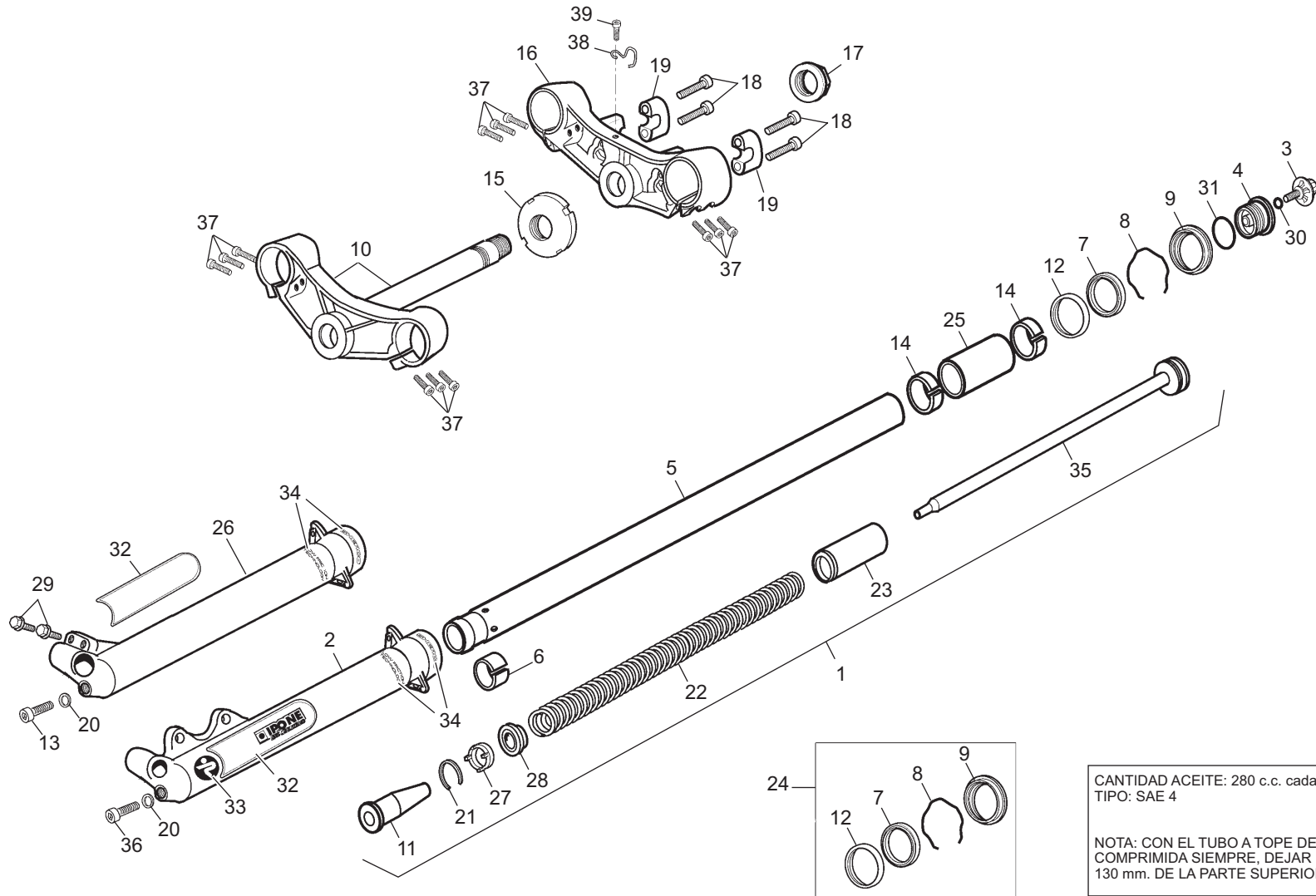


**1**

**Cadre / Frame / Chasis**

POS.	3,2 4T	FRANÇAIS	ENGLISH	ESPAÑOL
<b>23</b>	M341	RIVET ZEBRA NOIR TL15 4.8 X 0.5-12.7	WINGARM CHAIN PROTECTOR	REMACHE 4.8 X 16 ALA ANCHA
<b>24</b>	M345	VIS BHC 6 X 12 CAROSSERIE	SCREW BHC 6 X 12 BODY	TORNILLO BHC 6 X 12 CAROSSERIA
<b>25</b>	M308	ECROU CLIP M6	NUT CLIP M6	TUERCA CLIP M6
<b>26</b>	M344	VIS CHC 8 X 16 TETE BASSE	SCREW CHC 8 X 16 TETE BASSE	TORNILLO CHC 8 X 16 TETE BASE
<b>27</b>	C414	VIS CHC 8 X 35	SCREW CHC 8 X 35	TORNILLO CHC 8 X 35
<b>28</b>	C661	PATE FIXATION CULASSE 4T TRIAL	CLINDER SUPPORT 4T TRIAL	TIRANTE CULATA TRIAL 4T
<b>29</b>	M316	RONDELLE X 8 1405 08	WASHER X 8	ARANDELA 8 DIN 125 A
<b>30</b>	C393	ADHESIF IPONE S/PLOMB 98	PETROL IPONE STICKER 98	ADHESIVO IPONE S/PLOMO 98
<b>31</b>	C625	ADHESIF SHERCO RESINE GRIS 2004	GRIS SHERCO RESINE STICKER 2004	ADHESIVO SHERCO RESINA PLATA 2004
<b>32</b>	C010	BAGUE DE PROTECTION HAUTE PLASTIC	PLASTIC DUST COVER	GUARDA POLVO SUPERIOR PLÁSTICO
<b>33</b>	C634	ADHESIF LATERAL AVANT CADRE PAIRE	FRAME FRONT PAIR STICKER	ADHESIVO LATERAL CHASIS JUEGO
<b>34</b>	C019	VIS SPECIAL BOBINE/ CADRE/RESERV	SPECIAL SCREW (elec box holder)	TORNILLO ESPECIAL BOBINA/CHASIS

**Fourche / Fork / Horquilla**

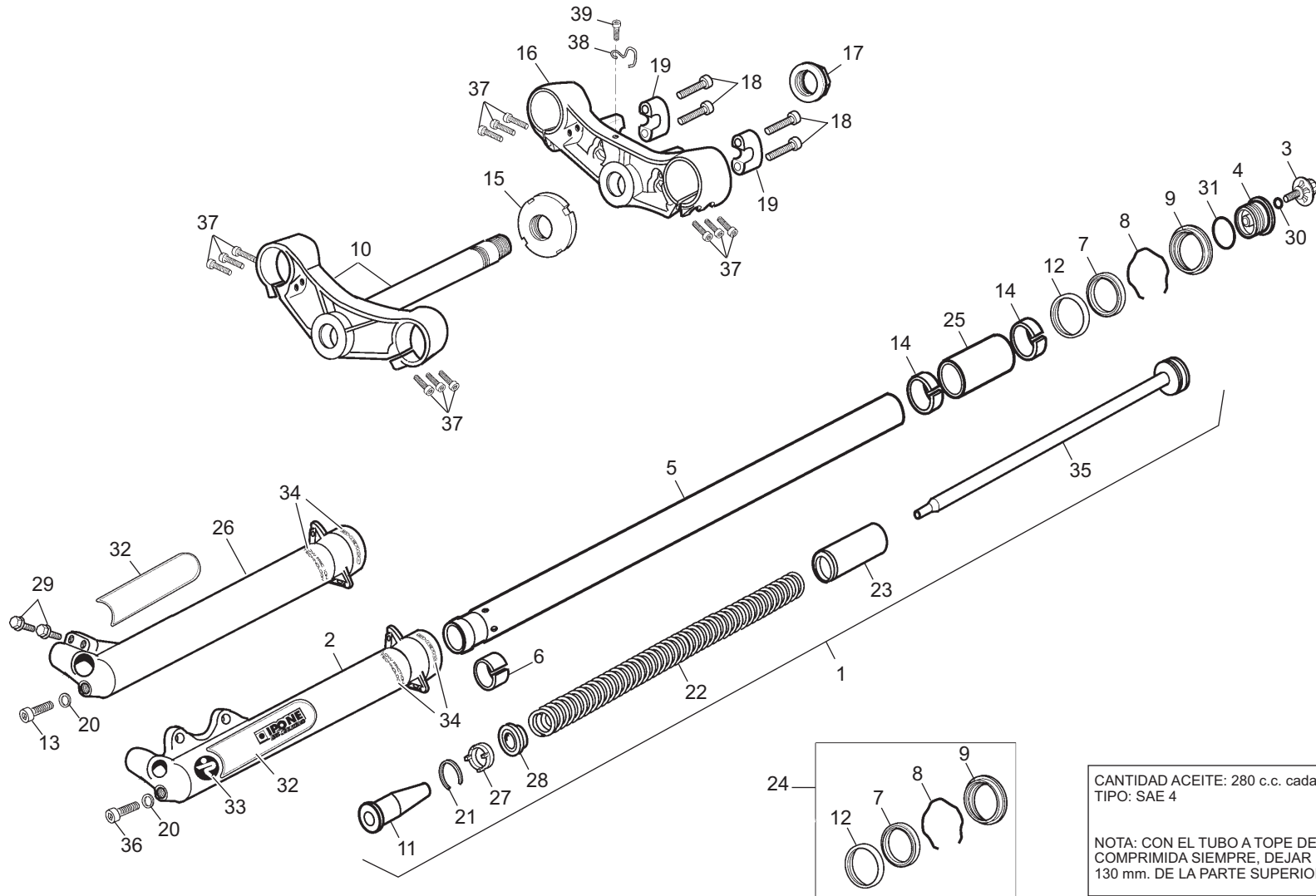




**Fourche / Fork / Horquilla**

POS.	3,2 4T	FRANÇAIS	ENGLISH	ESPAÑOL
<b>1</b>	C302	FOURCHE CPL	FRONT FORK COMPLETE	SUSPENSIÓN DELANTERA COMPLETA
<b>2</b>	R104	GROUPE JAMBE GAUCHE FOURCHE	FORK LEG (LEFT)	BOTELLA IZQUIERDA
<b>3</b>	R222	BOUCHON BLEU	AIR BLEEDER PLUG	TAPÓN AZUL
<b>4</b>	R098	BOUCHON	FORK CAP	TAPÓN
<b>5</b>	R099	TUBE FOURCHE G-D	FORK TUBE L-R	BARRA D-I
<b>6</b>	R134	ENTRETOIRE DU	SPACER	CASQUILLO DU
<b>7</b>	R070	JOINT SPIE DE FOURCHE	FORK OIL SEAL	RETÉN
<b>8</b>	R113	CIRCLIP JOINT SPIE	CIRCLIP OIL SEAL	CIRCLIP RETÉN
<b>9</b>	R096	PARE POUSSIERE FOURCHE	DUST SEAL	GUARDAPOLVO
<b>10</b>	R097	GROUPE T DE FOURCHE INFERIEUR	BOTTOM PLATE	PLATINA INF. CON EJE
<b>11</b>	R223	CONE	CONE	CONO
<b>12</b>	R131	RONDELLE APUIE	WASHER FORK	ARANDELA APOYO
<b>13</b>	R224	VIS CHC 10X30 FOURCHE	BOLT M10X30	TORNILLO M10X30 D.912
<b>14</b>	R133	DU JAMBE 2000	SPACER	CASQUILLO DU BOTELLA
<b>15</b>	R110	RONDELLE ECROU AXE DIRECTION	RING NUT	TUERCA DIRECCIÓN
<b>16</b>	R107	T DE FOURCHE SUPERIEUR	UPPER PLATE	PLATINA SUPERIOR
<b>17</b>	R108	ECROU SUPERIEUR	NUT	TUERCA SUPERIOR
<b>18</b>	R225	VIS CHC M8X35	BOLT M8X35	TORN.ALLEN M8X35 D.912
<b>19</b>	R109	BRIDE GUIDON SUPERIEURE	TOP BAR U-CLAMP	BRIDA SUPERIOR MANILLAR
<b>20</b>	R226	RONDELLE 10X17X1,5 FURCHE 2001	WASHER 10X17X1,5	ARANDELA 10X17X1,5
<b>21</b>	R227	ANEAU ELASTIQUE	NUT	ANILLO ELÁSTICO
<b>22</b>	R112	RESSORT FOURCHE	SPRING	MUELLE

### Fourche / Fork / Horquilla

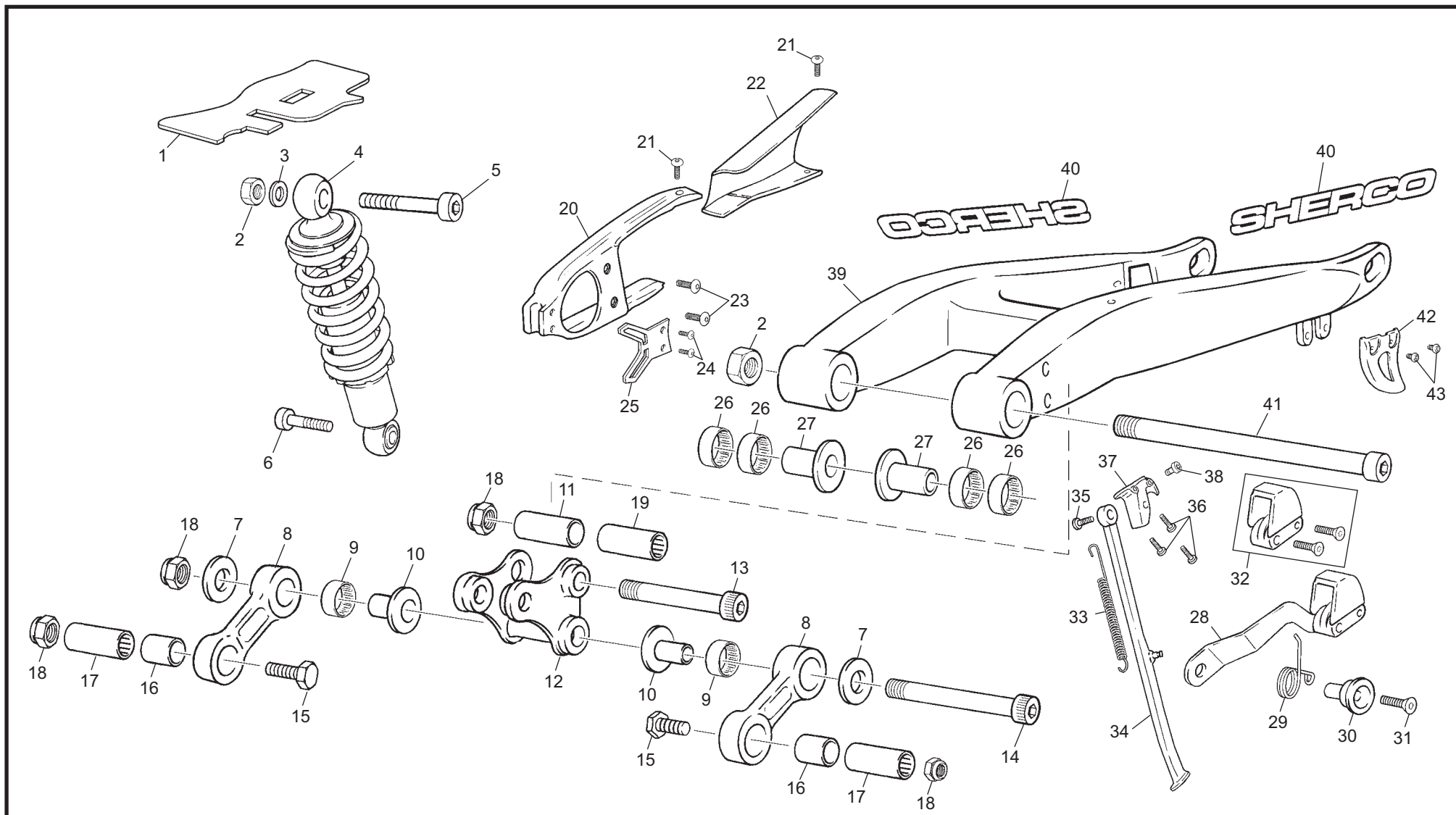




**2**

**Fourche / Fork / Horquilla**

POS.	3,2 4T	FRANÇAIS	ENGLISH	ESPAÑOL
<b>23</b>	R111	ENTRETOISE RESSORT FOURCHE	TOP BUSHING	TOPE MUELLE
<b>24</b>	R071	GROUPE GARNITURE FOURCHE COMP.	FORK BUSHING AND SEAL KIT	KIT REPARACIÓN RETÉN
<b>25</b>	R132	ENTRETOISE DU	SPACER	SEPARADOR DU
<b>26</b>	R105	GROUPE JAMBE DROITE FOURCHE	FORK LEG (RIGHT)	BOTELLA DERECHA
<b>27</b>	R228	VALVE DE COMPRESSION	PLASTIC COMPRESSION VALVE	VÁLVULA DE COMPR.
<b>28</b>	R135	RONDELLE APPUI RESSORT 2000	SPRING COLLAR	APOYO MUELLE
<b>29</b>	R229	VIS M6X30 FOURCHE	BOLT M6X30	TORNILLO HEXAG. M6X30
<b>30</b>	R230	TORIQUE FOURCHE	O-RING	TÓRICA CIERRE
<b>31</b>	R231	TORIQUE BOUCHON BLEU	O-RING	TÓRICA TAPÓN
<b>32</b>	C631	ADHESIF IPONE PAIRE	IPONE BLUE STICKER PAIR	ADH. IPONE JUEGO AZUL
<b>33</b>	C186	ADHESIF LOGO PAIOLI RESINE	PAIOLI LOGO STICKER	PAIOLI REDONDO
<b>34</b>	C451	AD SHERCO & LOW FRICTION	SHERCO & LOW FRICTION STICKER	AD SHERCO & LOW FRICTION
<b>35</b>	R106	GROUPE CARTOUCHE	PLUNGER ASSEMBLY	CONJ. BOMBEO
<b>36</b>	C465	VIS 10X30 FILETE INT.	SCREW	TORNILLO M10X30 CON ROSCA INT.
<b>37</b>	M255	VIS CHC 6x25	SCREW 6x25	TORNILLO M6x25
<b>38</b>	M273	CAVALIER NORMA BSL1x8	CLIP FUEL OVERFLOW HOSE	BRIDA NORMA BSL1X8
<b>39</b>	M282	ULS VIS BHC M6X10	SCREW M6X10	TORNILLO M6X10

**Amortisseur - Bras oscillant / Rear Shock - Swingarm / Amortiguador - Basculante**

## Amortisseur - Bras oscillant / Rear Shock - Swingarm / Amortiguador - Basculante

POS.	3,24T	FRANÇAIS	ENGLISH	ESPAÑOL
1	C686	PROTECTEUR AMORTISSEUR	PROTECTOR	PROTECTOR AMORTIGUADOR
2	M304	ECROU NYLSTOP M10	NUT NYLSTOP M10	TUERCA NYLSTOP M10
3	M315	RONDELLE X 10 1405 010	WASHER X 10	ARANDELA X 10 DIN 125 A
4	C268	AMORTISSEUR TRIAL 2,5/ 2,9	REAR SHORK TRIAL 2,5/ 2,9	AMORTIGUADOR TRIAL 2,5/2,9
5	M259	VIS CHC 10 X 50 0084	SCREW CHC 10 X 50	TORNILLO 10 X 50 ALLEN
6	C173	AXE 10 X 42	PIN10 X 42	EJE 10 X 42
7	M320	RONDELLE 10 X 30 X 2.5 0416	WASHER 10 X 30 X 2.5	ARANDELA 10 X 30 X2,5 DIN 9021
8	C157	BIELETTE TIRANT SIMPLE	REAR SUSPENSION LINK	BIELETA SUSPENSION
9	C168	DOUILLE AIGUILLE TIRANT HK16162 RS	DOUILLE AIGUILLE TIRANT HK16162RS	CASQUILLO AGUJAS BIELETA HK16162RS
10	C153	ENTRETOISE ARTICULATION BRAS	SPACER SWING ARM	CASQUILLO EJE BASCULANTE
11	C152	ENTRETOISE SUSPENSION	SPACER SUSPENSION	CASQUILLO SUSPENSION
12	C638	BIELETTE DELTA 2004	REAR SUSPENSION DELTA LINK 2004	TRAPECIO SUSPENSION 2004
13	C174	AXE 10 X 72	PIN 10 X 72	EJE 10 X 72
14	C172	AXE 10 X 1250	PIN 10 X 120	EJE 10 X 120
15	C175	VIS HEXA TETE BASSE	SPECIAL HEAD SCREW HEX	TORNILLO HEX C/REBAJADA
16	C170	ENTRETOISE TIRANT	LINK SPACER	CASQUILLO BIELETA
17	C169	DOUILLE AIGUILLE TIRANT HK14162 RS	BEARING HK14162RS	CASQUILLO AGUJAS BIELETA HK14162RS.
18	M305	ECROU NYLSTOP M8 0368.8	NUT NYLSTOP M8	TUERCA NYLSTOP M8
19	C167	DOILLER AIGUILLE BRAS/ SUSP HK 16X20X2RS	BEARING HK 16202RS	CASQUILLO AGUJAS BASCU/SUSP HK16202RS
20	C162	PATIN DE CHAINE	CHAIN GUIDE PLATE	PATÍN CADENA
21	M278	VIS BHC 5 X10 1093	SCREW BHC 5X10	TORNILLO 5 X 10 ULS
22	C163	CARTER DE CHAINE	CHAIN PROTECTOR	CUBRECADENAS

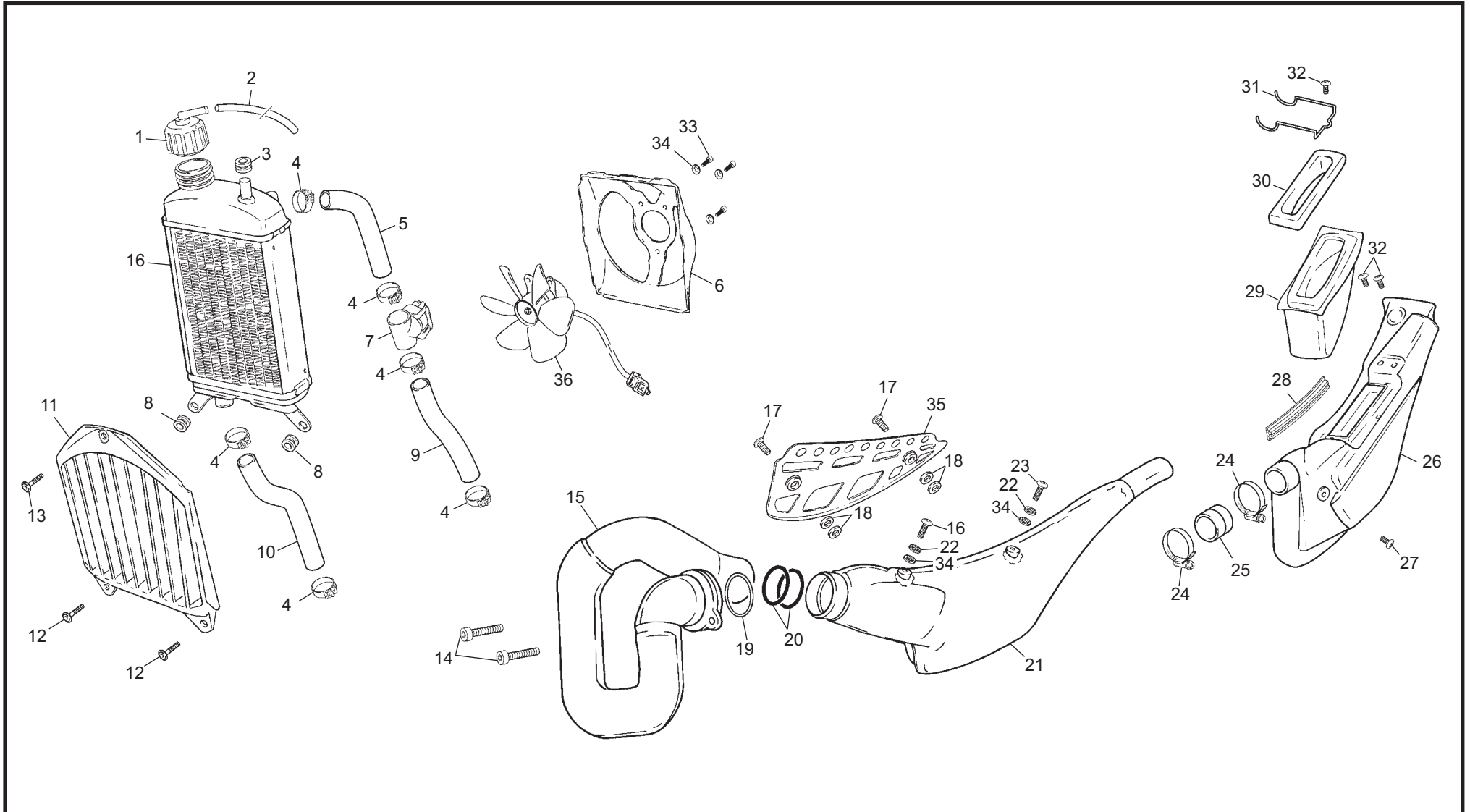




**Amortisseur - Bras oscillant / Rear Shock - Swingarm / Amortiguador - Basculante**

POS.	3,2 4T	FRANÇAIS	ENGLISH	ESPAÑOL
23	M278	VIS BHC 5 X10 1093	SCREW BHC 5X10	TORNILLO 5 X 10 ULS
24	M715	VIS PROTECTEUR PIGNON TRIAL 4T	SCREW PIGNON TRIAL 4T	TORNILLO CHAPA PIÑÓN TRIAL 4T
25	M714	PROTECTEUR PIGNON TRIAL 4T	PROTECTOR PINION TRIAL 4T	PROTECTOR PIÑÓN TRIAL 4T
26	C151	DOUILLE AIGUILLE BRAS HK 20X20X2 RS	BEARING HK 20X20X2RS	CASQUILLO AGUJAS BASCU. HK 20X20X2RS
27	C153	ENTRETOISE ARTICULATION BRAS	SPACER SWING ARM	CASQUILLO EJE BASCULANTE
28	C164	TENDEUR DE CHAINE	CHAIN TENSIONER	TENSOR CADENA
29	R205	RESSORT TENDEUR DE CHAINE	SPRING CHAIN TENSIONER	MUELLE TENSOR CADENA
30	R206	ENTRETOISE TENDEUR DE CHAINE	SPECER CHAIN ADJUST	CASQUILLO TENSOR CADENA
31	M300	VIS FHC 8 X 35 1089	SCREW FHC 8 X 35	TORNILLO AVELLANADO M8 X 35
32	R047	CAOUTCHOUC TENDEUR SEUL	CHAIN STRETCHER PLATE	GOMA TENSOR CADENA
33	C161	RESSORT DE BEQUILLE	SIDE STAND SPRING	MUELLE CABALLETE
34	S131	BEQUILLE SEULE	LATERAL STAND	CABALLETE
35	M281	VIS BHC 8 X 12 1093	SCREW BHC 8 X 12	TORNILLO M8 X 12 ULS
36	M261	VIS CHC 8 X 20 0084	SCREW CHC 8 X 20	TORNILLO 8 X 20 ALLEN
37	S132	SUPPORT DE BEQUILLE	STAND HOLDER	SOPORTE CABALLETE
38	C166	VIS SPECIALE BEQUILLE	SIDE STAND SPECIAL BOLT	TORNILLO ESPECIAL CABALLETE
39	C448	BRAS OSCILLANT MAT 03	SWINGARM MAT 03	BASCULANTE MAT 03
40	C449	ADHESIF SHERCO BRAS 03	SWINGARM SHERCO STICKER 03	ADHESIVO SHERCO BASCULANTE 03
41	C154	AXE BRAS OSCILLANT	ALUMINIUM SWINGARM AXL	EJE BASCULANTE ALUMINIO
42	C177	PROTECTEUR COURRONE	PROTECTEUR SPROKET	PROTECTOR CORONA
43	M278	VIS BHC 5 X10 1093	SCREW BHC 5X10	TORNILLO 5 X 10 ULS

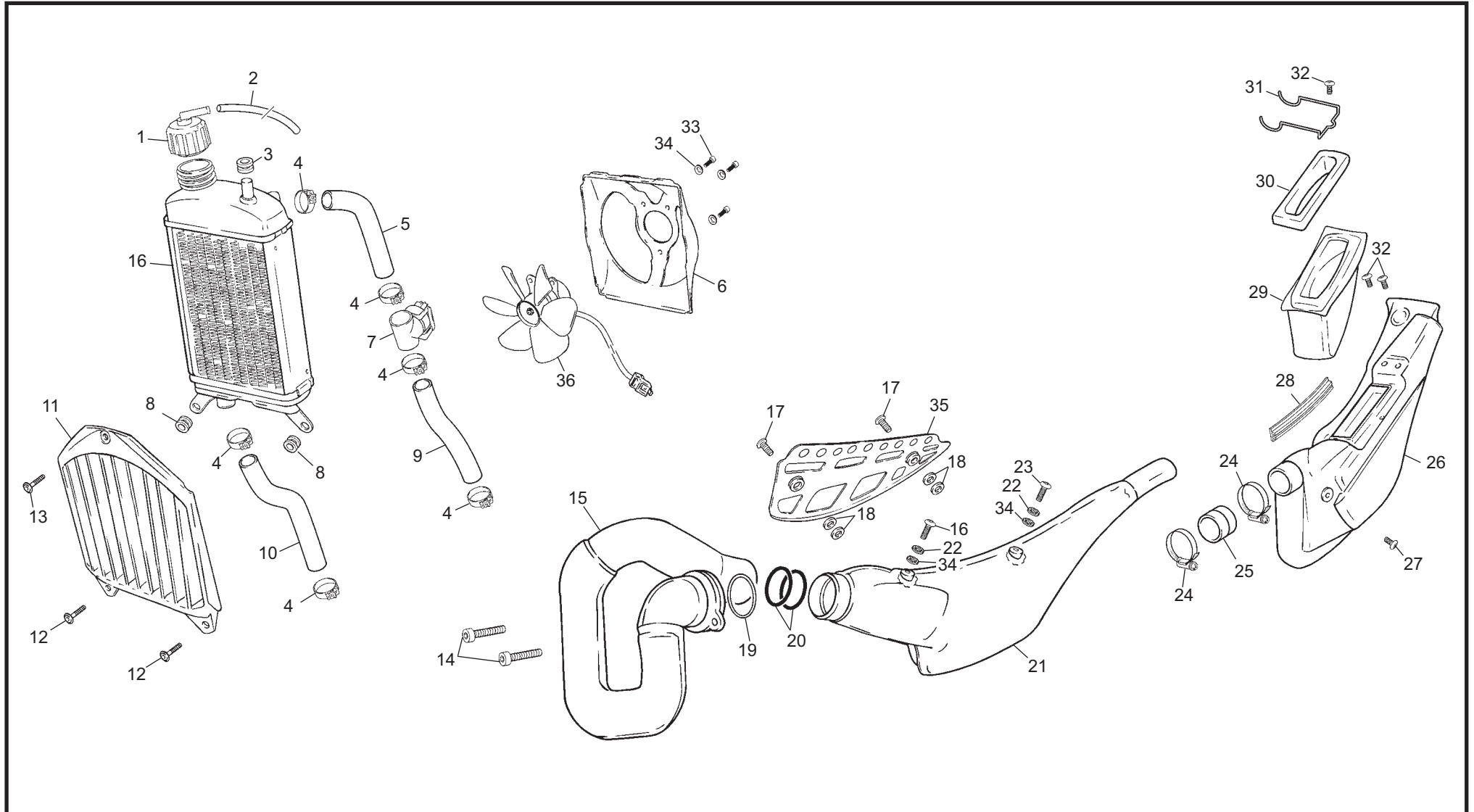
**Boite filtre - echapement / Air filter box - exhaust system / Caja filtro - escape**



**Boite flitre - echapement / Air filter box - exhaust system / Caja filto - escape**

POS.	3,2 4T	FRANÇAIS	ENGLISH	ESPAÑOL
1	R046	BOUCHON DE RADIATEUR	RADIATOR PLUG	TAPON RADIADOR
2	C125	DURITE BOUCHON RADIATEUR	RADIATOR CAP TUBE	TUBO TAPÓN RADIADOR
3	C118	SILENT BLOC RADIATEUR	SILENT-BLOC RADIATOR	SILENBLOCK RADIADOR
4	C114	COLLIER DURITE NORMA VERT 21	COLLARD NORMA GREEN 21	ABRAZADERA MANGUITOS VERDE 21
5	C663	DURITE TERMOCONTACT 4T TRIAL COURT	RUBBER TUBE THERMOC. 4T TRIAL SHORT	MANGUITO TERMOC. 4T TRIAL CORTO
6	C650	RADIATEUR 4T TRIAL	RADIATOR TRIAL 4T	RADIADOR TRIAL 4T
7	C664	THERMOCONTACT 77/80 4T TRIAL	THERMOCONTACT 77/80 4T TRIAL	TERMOCONTACTO 77/80 TRIAL 4T
8	C931	SILENT BLOCK RADIATEUR 4T TRIAL	SILENT BLOCK RADIATOR 4T TRIAL	SILENBLOCK RADIADOR 4T TRIAL
9	C693	DURITE CULASSE RADIATEUR 4T TRIAL LONG	RUBBER TUBE HEAD RADIATOR 4T TRIAL LONG	MANGUITO CULATA RADIA. 4T TRIAL LARGO
10	C692	DURITE POMPE A EAU RADIATEUR 4T TRIAL	RUBBER TUBE WATERPUMP/RADIADOR 4T	MANGUITO BOMBA/RADIADOR 4T
11	C653	GRILLE RADIATEUR 4T TRIAL	REJILLA RADIADOR TRIAL 4T	REJILLA RADIADOR
12	M713	VIS RADIATEUR 4T TRIAL	SCREW RADIATOR 4T TRIAL	TORNILLO RADIADOR
13	M283	VIS BHC 6 X 16 1093	SCREW BHC 6 X 16	TORNILLO 6 X 16 ULS
14	M252	VIS CHC 6 X 20 0084	SCREW CHC 6 X 20	TORNILLO 6 X 20 DIN 912
15	C656	TUBE ECHAPPEMENT 4T TRIAL	EXHAUST PIPE 4T TRIAL	TUBO ESCAPE TRIAL 4T
16	M251	VIS CHC 6 X 16 0084	SCREW CHC 6 X 16	TORNILLO 6X16 DIN 912
17	M278	VIS BHC 5 X10 1093	SCREW BHC 5X10	TORNILLO 5 X 10 ULS
18	M718	RONDELLE ISOLANTE 5X12X2	INSULATING WASHER 5X12X2	ARANDELA AISLANTE 5X12X2
19	C122	JOINT CUIVRE 38X44X2.5 0462	GASKET RING 38X44X2.5	JUNTA COBRE 38X44X2,5
20	C104	JOINT TORIQUE POT CENTRAL 44X3,5 VITON	O-RING MIDDLE SILENCER 44X3,5	TÓRICA SILENCI. CENTRAL 44X3.5 VITON
21	C657	SILENCIEUX 4T TRIAL	SILENCER 4T TRIAL	SILENCIADOR TRIAL 4T
22	M274	RONDELLE GROSVET X 6 DIN 6798J 0428	WASHER GROSVET X 6 DIN 6798J 0428	ARANDELA GROSVET X 6 DIN 6798J 0428

**Boite filtre - echapement / Air filter box - exhaust system / Caja filtro - escape**

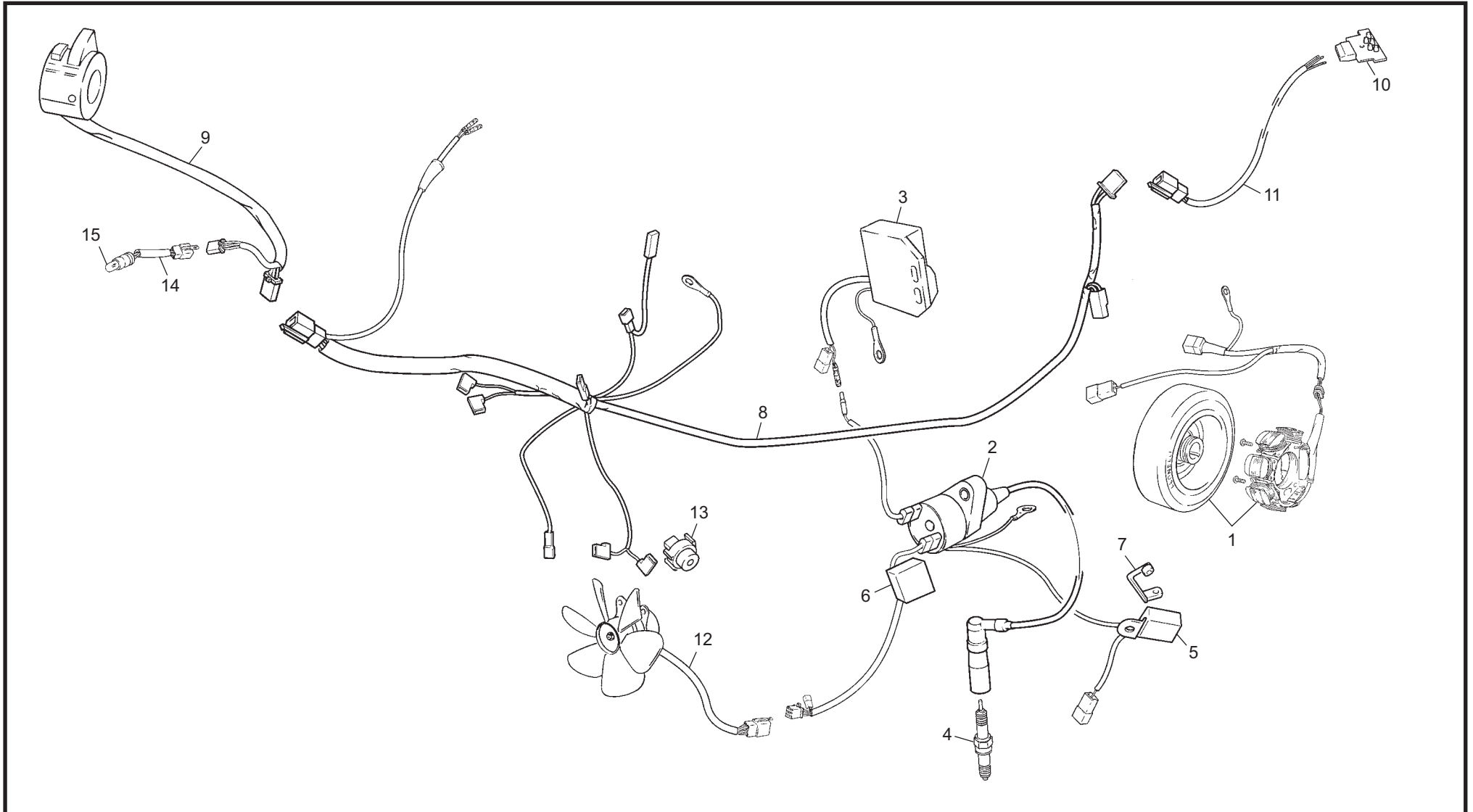




**Boite filtre - echapement / Air filter box - exhaust system / Caja filtro - escape**

POS.	3,2 4T	FRANÇAIS	ENGLISH	ESPAÑOL
<b>23</b>	M251	VIS CHC 6 X 16 0084	SCREW CHC 6 X 16	TORNILLO 6 X 16 DIN 912
<b>24</b>	0595	COLLIER KC060	COLLAR KC060 HOSE	BRIDA TOBERA KC060
<b>25</b>	C658	MANCHON CARBU/FILTRE 4T TRIAL	RUBER CARBURETO / FILTER	TOBERA CARBURADOR FILTRO TRIAL 4T
<b>26</b>	C652	BOITIER FILTRE AIR 4T TRIAL	AIR BOX	CAJA FILTRO 4T TRIAL
<b>27</b>	M282	VIS BHC 6 X 10	SCREW BHC 6 X 10	TORNILLO 6 X 10 ULS
<b>28</b>	C104	JOINT TORIQUE POT CENTRAL 44X3,5 VITON	O-RING MIDDLE SILENCER 44X3,5	TÓRICA SILENCIADOR CENTRAL 44X3,5 VITON
<b>29</b>	C108	MOUSSE DE FILTRE	TWIN AIR FOAM	ESPUMA DE FILTRO TWIN AIR
<b>30</b>	C107	COUVERCLE FILTRE AIR	AIR FILTER BOX COVER	TAPA FILTRO
<b>31</b>	C394	RESSORT COUVERCLE DE FILTRE	AIR BOX SPRING CUP	MUELLE TAPA CAJA FILTRO
<b>32</b>	M278	VIS BHC 5 X10 1093	SCREW BHC 5X10	TORNILLO 5 X 10 ULS
<b>33</b>	M282	VIS BHC 6 X 10 1093	SCREW BHC 6 X 10	TORNILLO 6 X 10 ULS
<b>34</b>	M317	RONDELLE 6 X12 0407 6	WASHER X 6	ARANDELA 6 DIN 125 A
<b>35</b>	C702	PROTECTEUR ECHAPEMENT 4T TRIAL	EXHAUS COVER 4T TRIAL	PROTECTOR ESCAPE 4T TRIAL
<b>36</b>	C116	VENTILATEUR	FAN	VENTILADO

**Faisceau electrique / Electrical system / Instalación eléctrica**

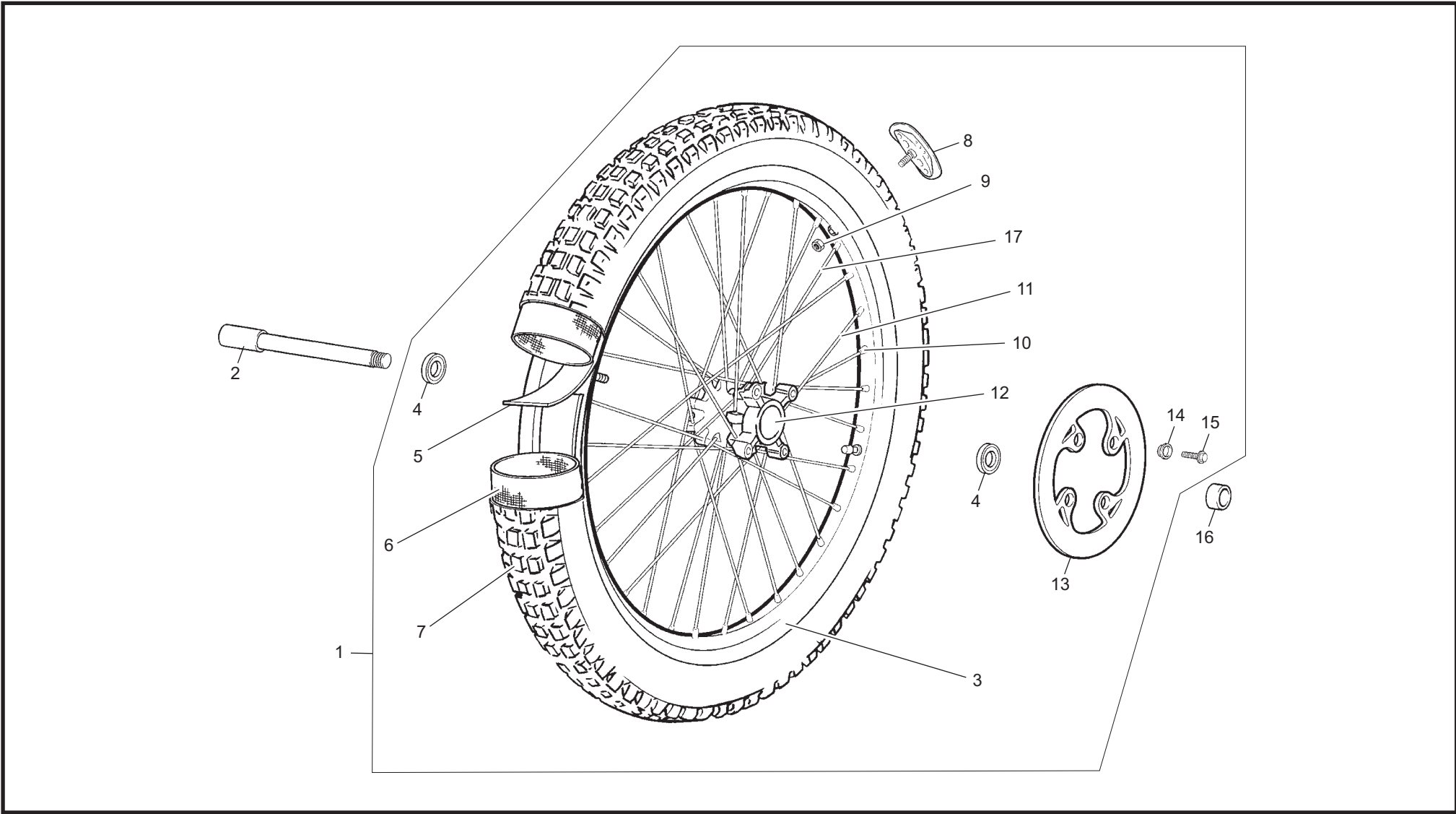


**Faisceau électrique / Electrical system / Instalación eléctrica**

POS.	3,2 4T	FRANÇAIS	ENGLISH	ESPAÑOL
1	M645	ALLUMAGE CPL 4T TRIAL	IGNITION ASSY 4ST TRIAL	ENCENDIDO COMPLETO "LEONELLI"
2	M679	BOBINE LEONELLI TRIAL 4T	ELECTRONIC BOX LEONELLI TRIAL 4T	BOBINA "LEONELLI" TRIAL 4T
3	M680	CDI MOTEUR 4T TRIAL	CDI BOX ENGINE 4T TRIAL	CDI 4T TRIAL
4	M673	BOUGIE BCPR6E 4T TRIAL	SPARK PLUG BCPR6E 4T TRIAL	BUJÍA BCPR6E TRIAL 4T
5	M182	REGULATEUR LEONELLI	REGULATOR	REGULADOR
6	C039	DIODE REDRESSEUSE VENTILATEUR	DIODE	RECTIFICADOR VENTILADOR
7	C662	SUPPORT REGULATEUR/DIODE 4T TRIAL		SOPORTE REGULADOR DIODO TRIAL 4T
8	C037	FAISSEAU ELECTRIQUE	ELECTRIC CABLE	CABLE ELÉCTRICO
9	C038	COMUTATEUR ELECTRIQUE	LIGT COMMAND	CONMUTADOR LUCES
10	C041	LED ARRIERE	REAR BULB	BOMBILLA TRASERO
11	C044	FAISSEAU ELECTRIQUE FEU ARRIERE	REAR LIGT ELECTRIC CABLE	INSTALACIÓN PILORO TRASERO
12	C116	VENTILATEUR	FAN	VENTILADOR
13	C664	THERMOCONTACT 77/80 4T TRIAL	THERMOCONTACT 77/80 4T TRIAL	TERMOCONTACTO 77/80 TRIAL 4T
14	C066	FAISEAU OPTIQUE	FRONT LIGHT CABLE SYSTEM	INSTALACIÓN OPTICA
15	C067	AMPOULE 12V 5W	BULB	BOMBILLA 12V 5W

**6**

**Roue avant / Front wheel / Rueda delantera**



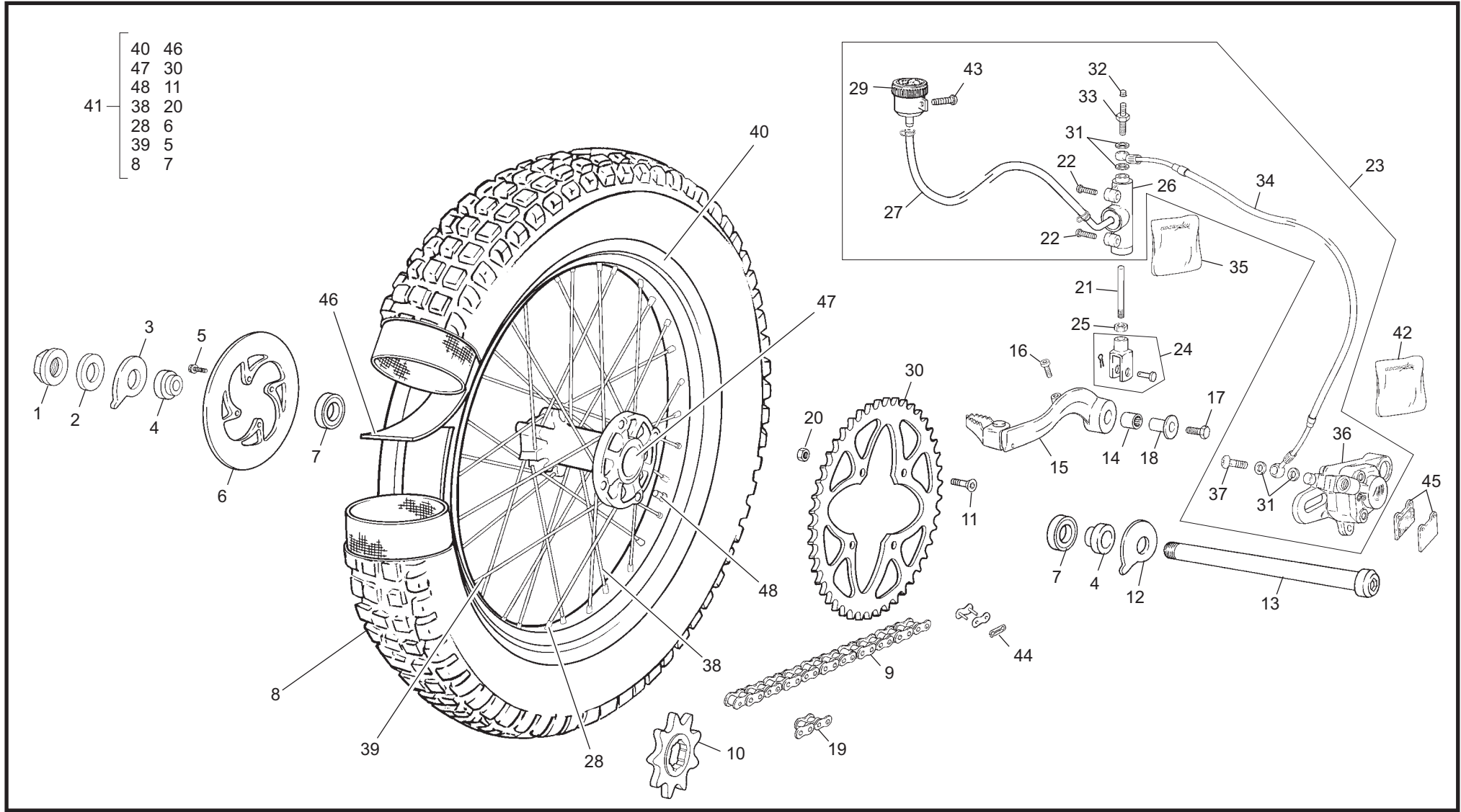
**Roue avant / Front wheel / Rueda delantera**

POS.	3,2 4T	FRANÇAIS	ENGLISH	ESPAÑOL
1	C324	ROUE AVANT	FRONT WHEEL	RUEDA DELANTERA
2	C205	AXE DE ROUE AVANT	FRONT WHEEL AXLE	EJE RUEDA DELANTERA
3	C378	JANTE AVANT 32 RAYONS	FRONT RIM 32 R	LLANTA DELANTE 32 R
4	R049	ROULEMENT DE MOYEU 6004 2RS	BEARING HUB 6004 2RS	RODAMIENTO BUJE 6004 2RS
5	C201	RUBAN FOND DE JANTE R14025	RIM RUBBER PROTECTION	GOMA PROTECCIÓN LLANTA
6	C202	CHAMBRE A AIR 21 AB	21 TUBE	CAMARA 21
7	C204	PNEU AVANT 2,75X21	FRONT TIRE 2,75 X 21	NEUMATICO DELANTERO 2,75 X 21
8	C203	GRISTER	TYRE STAY	AGARRACUBIERTAS
9	M305	ECROU NYLSTOP M8 0368.8	NUT NYLSTOP M8	TUERCA NYLSTOP M8
10	R048	ECROU DE RAYON AVANT	FRONT NEEPLE SPOCKE	TUERCA RADIO DELANTERO
11	C381	RAYON AVANT	FRONT SPOCKE	RADIO DELANTERO
12	C320	MOYEU AVANT 2002	FRONT HUB 2002	BUJE DELANTERO 2002
13	C319	DISQUE FREIN AVANT 2002	FRONT DISC 2002	DISCO DELANTERO 2002
14	C209	ENTRETOISE DISQUE AVANT	SPACER DISC	CASQUILLO FLOTANTE DISCO
15	C452	VIS HEXAGONAL EPAULE M6 X 18	SCREW EXAGONAL M6 X 18	TORNILLO HEXA. M6 X 18
16	C333	ENTRETOISE ROUE AVANT 2002	FRONT BRUSH 2002	SEPARADOR EJE RUEDA DELANTERA
17	C382	RAYON AV ROUE 32 R L256	FRONT SPOKE WEEL 32 R L256	RADIO DEL RUEDA 32 R L256



**7**

**Roue arriere / Rear wheel / Rueda trasera**

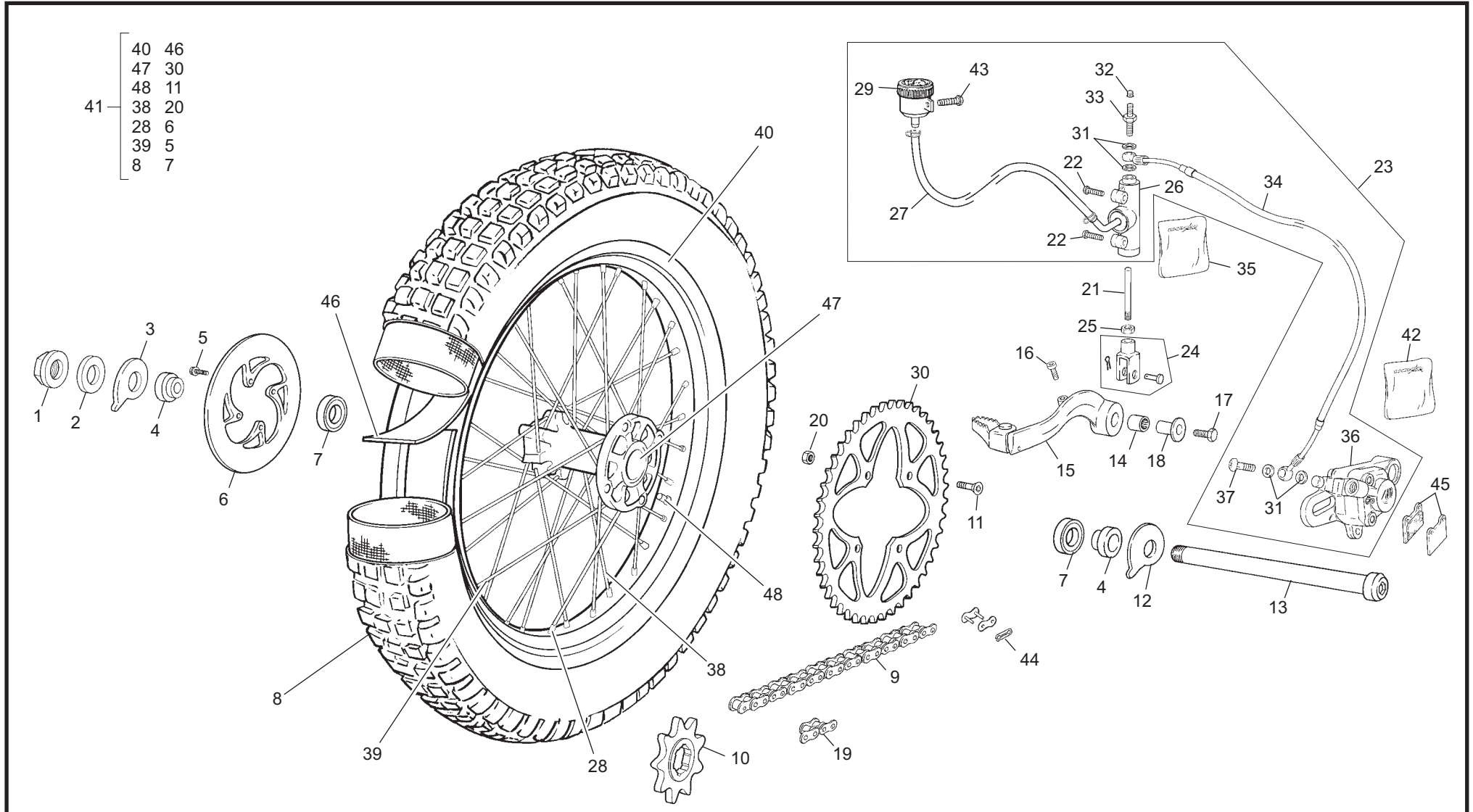


- 40 46
- 47 30
- 48 11
- 38 20
- 28 6
- 39 5
- 8 7

**Roue arriere / Rear wheel / Rueda trasera**

POS.	3,2 4T	FRANÇAIS	ENGLISH	ESPAÑOL
<b>1</b>	C253	ECROU ROUE ARRIERE	REAR AXLE NUT	TUERCA EJE RUEDA TRASERA
<b>2</b>	M314	RONDELLE X 16 1405 016	WASHER X 17	ARANDELA X 17
<b>3</b>	C254	EXENTRIQUE DROIT TENDEUR CHAINE	RUNNER CHAIN	EXCENTRICA DERECHA
<b>4</b>	C255	ENTRETOISE ROUE ARRIERE	REAR BRUSH	SEPARADOR RUEDA TRASERA
<b>5</b>	M249	VIS BHC 8 X 20	SCREW BHC 8 X 20	TORNILLO BHC 8 X 20
<b>6</b>	C322	DISQUE FREIN ARRIERE 2002	REAR DISC 2002	DISCO FRENO TRASERO 2002
<b>7</b>	R049	ROULEMENT DE MOYEU 6004 2RS	BEARING HUB 6004 2RS	RODAMIENTO BUJE 6004 2RS
<b>8</b>	C251	PNEU ARRIERE 400X18	REAR TYRE 400 X 18	NEUMÁTICO 400 X 018 TUBELESS
<b>9</b>	C081	CHAINE 101M	CHAIN101M	CADENA 101M
<b>10</b>	M227	PIGNON 9 D	SPROCKET 9 T	PIÑÓN 9 D
<b>11</b>	M287	VIS BHC 8 X 22	SCREW BHC 8 X 22	TORNILLO BHC 8 X 22
<b>12</b>	C256	EXENTRIQUE GAUCHE TENDEUR CHAINE	LEFT REAR AXLE EXCENTRIC	EXCENTRICA IZQUIERDA
<b>13</b>	C326	AXE ROUE ARRIERE 2002	AXELE BACK WHEEL 2002	EJE RUEDA TRAS. 2002
<b>14</b>	C263	DOUILLE AIGUILLE PEDALE FREIN	BEARING	CASQUILLO AGUJAS PEDAL FRENO
<b>15</b>	C327	PEDALE DE FREIN 2002	REAR BRAKE PEDAL 2002	PEDAL FRENO TRASERO 2002
<b>16</b>	C358	VIS CHC M4 X 6	SCREW M4 X 6 CHC	TORNILLO M4X6 CHC
<b>17</b>	M303	VIS HEXAG 8 X 25	SCREW HEXAG 8 X 25	TORNILLO HEXAG 8 X 25
<b>18</b>	C264	ENTRETOISE PEDALE DE FREIN	SPACER BRAKE PEDAL	CASQUILLO PEDAL DE FRENO
<b>19</b>	C304	1/2 MAILLON DE CHAINE	HALF COMPLING CONNECTION	MEDIA MALLA DE CADENA
<b>20</b>	M305	ECROU NYLSTOP M8	NUT NYLSTOP M8	TUERCA NYLSTOP M8
<b>21</b>	C261	TIGE FREIN ARRIERE	PIN BRAKE ROD	TIJA PEDAL FRENO TRASERO
<b>22</b>	M284	VIS BHC 6 X 25	SCREW BHC 6 X 25	TORNILLO 6 X 25
<b>23</b>	C321	GROUPE FREIN ARRIERE 2002	REAR BRAKE COMPLETE 2001	CTO FRENO TRASERO 2001
<b>24</b>	C259	CHAPE PEDALE FREIN 0267	REAR BRAKE ROD	HORQUILLA PEDAL DE FRENO

**Roue arriere / Rear wheel / Rueda trasera**

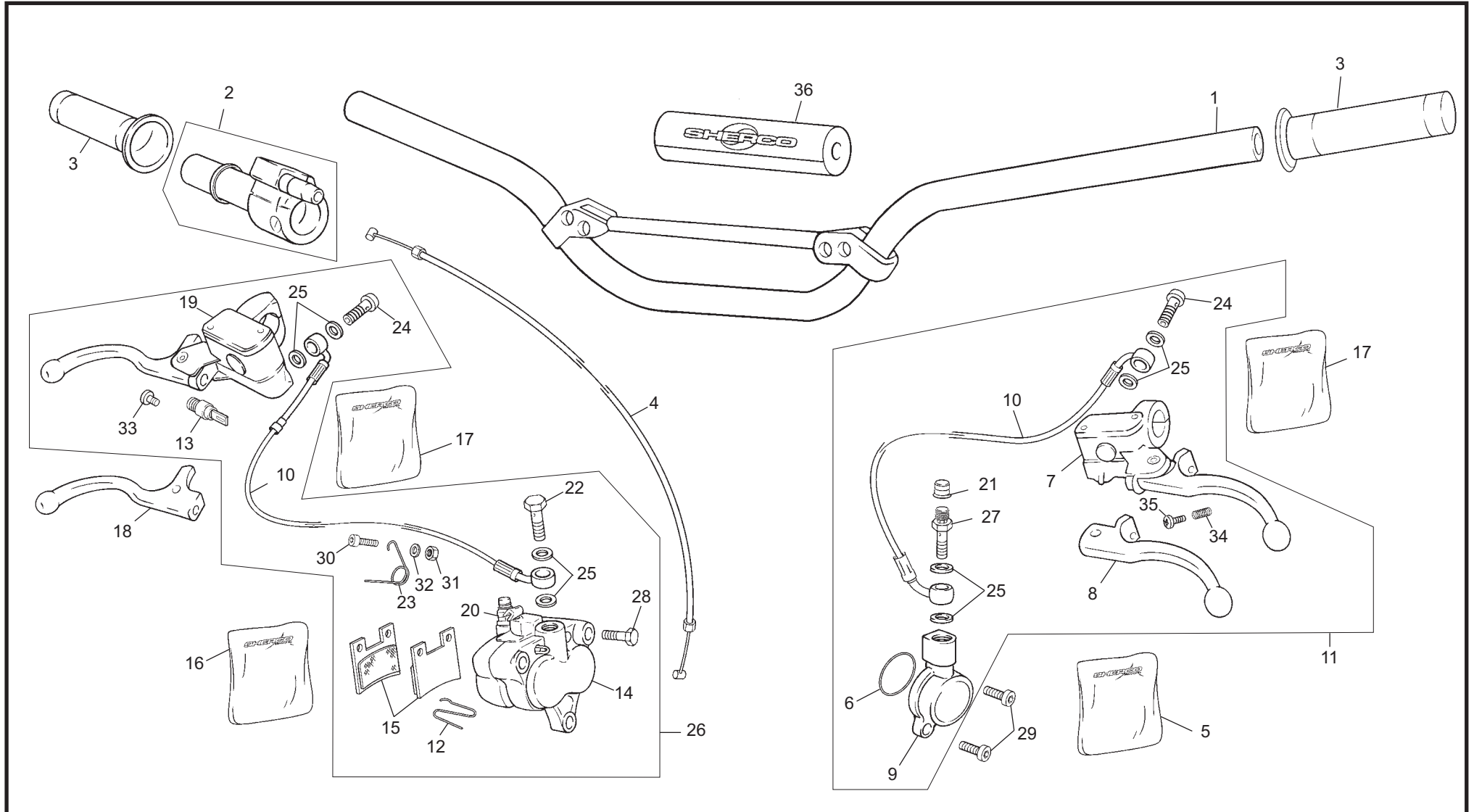


- 40 46
- 47 30
- 48 11
- 38 20
- 28 6
- 39 5
- 8 7

**Roue arriere / Rear wheel / Rueda trasera**

POS.	3,2 4T	FRANÇAIS	ENGLISH	ESPAÑOL
25	M309	ECROU STANDARD M6 0317	NUT M6	TUERCA M6
26	C385	POMPE FREIN AR 9,5	REAR MASTER CYLINDER 9,5	BOMBA FRENO TRASERO
27	R069	TUBE LIQUIDE FREIN BOCAL/POMPE L 210	OIL TANK TUBE L 210	TUBO LIQUIDO FRENO L 210
28	R067	ECROU DE RAYON AR	REAR NIPPLE SPOKE	TUERCA RADIOS TRASEROS
29	R066	BOCAL LIQUIDE FREIN	OIL TANK BRAKE	DEPÓSITO LIQUIDO FRENO
30	C330	COURRONE 42D 4 TROUS	REAR SPROKET 42D 2002	CORONA 42D 4TROUS 2002
31	R074	RONDELLE BANJO	ALUMINIUM SEAL	ARANDELA BANJO
32	R057	PURGEUR ETIER AVANT	PURGE STIRRUP SCREW	SANGRADOR DELANTERO
33	R058	CAPUCHON VIS DE PURGE	HOOD SCREW PURGE	TAPÓN SANGRADOR
34	C388	DURITE FREIN ARRIERE	REAR BRAK HOSE	LATIGUILLO FRENO TRASERO
35	R233	KIT REPARATION POMPE FREIN AR 2005	KIT BACK CALIPER 2005	KIT REPARACIÓN PINZA FRENO TR 2005
36	C386	ETRIER FREIN ARRIERE 2005	REAR CALIPER 2005	PINZA FRENO TRASERO 2005
37	R059	VIS RACCORD M10 X 21	LINK SCREW M10 X 21	TORNILLO RACORD M10 X 21
38	C379	RAYON AR ROUE 32R L218	REAR SPOKE WEEL 32R L218	RADIO TRASERO RUEDA 32R L218
39	C380	RAYON AR ROUE 32R L224	REAR SPOKE WEEL 32R L224	RADIO TRASERO RUEDA 32R L224
40	C377	JANTE ARRIERE 32 RAYONS	REAR RIM 32 R	LLANTA TRASERA 32R
41	C325	ROUE ARRIERE	BACK WEEL	RUEDA TRAS
42	R235	KIT ETRIER ARRIERE	KIT CALIPER BACK	KIT PINZA FRENO TR
43	M282	VIS BHC 6 X 10 1093	SCREW BHC 6 X 10	TORNILLO 6 X 10 ULS
44	R034	ATTACHE RAPIDE DE CHAINE	CONNECTING LINK	ENGANCHE CADENA
45	C390	PLAQUETTES FREIN ARRIERE PAIRE	REAR PAD BRAKE PAIR	JUEGO PASTILLAS TRASERO
46	R005	FLAP DE ROUE ARRIERE	STRIP	FLAP
47	C323	MOYEU ARRIERE	REAR HUB	BUJE TRASERO
48	R061	VALVE AR	TUBLESS VALVE	VÁLVULA

**Guidon / Handlebar / Manillar**

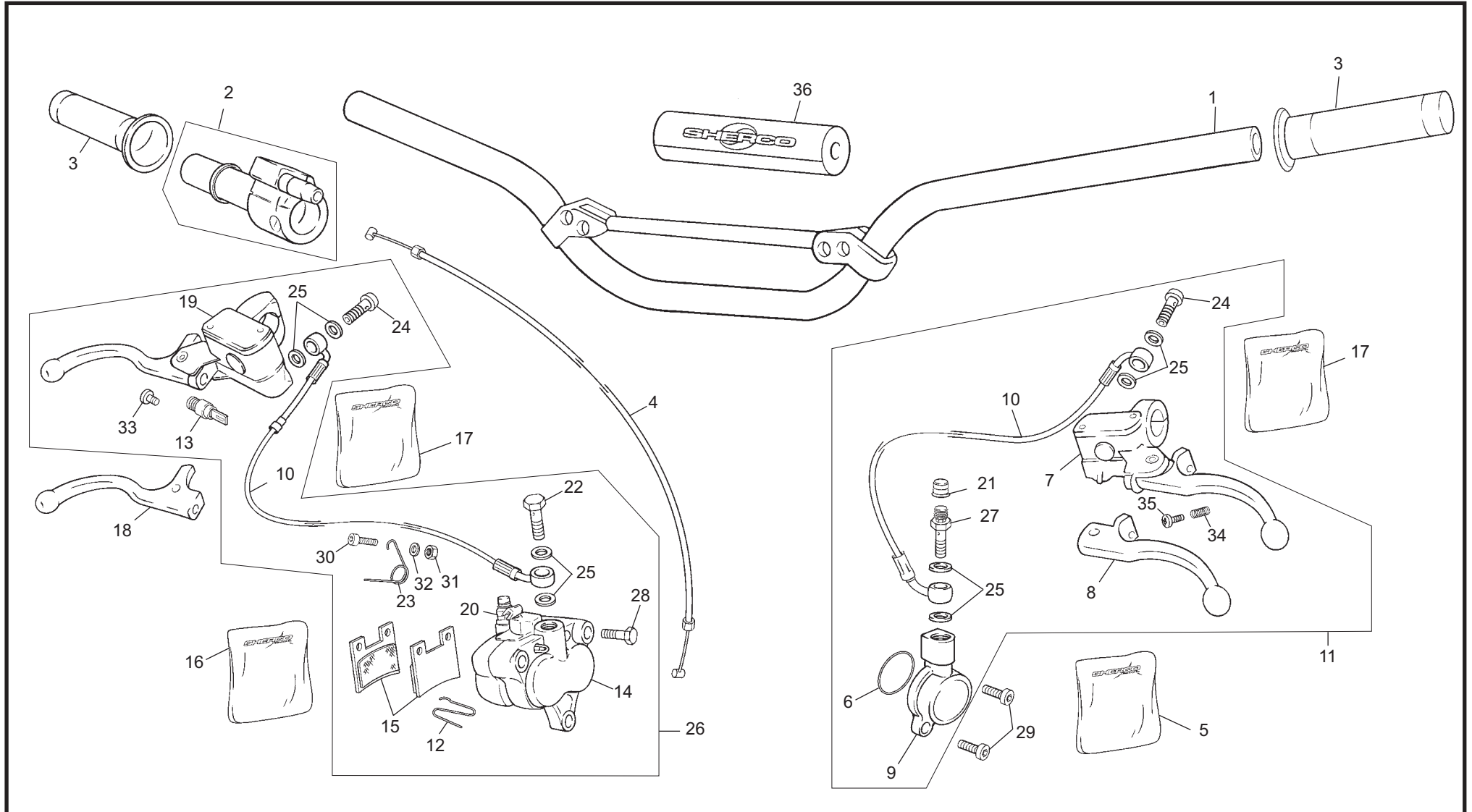




**Guidon / Handlebar / Manillar**

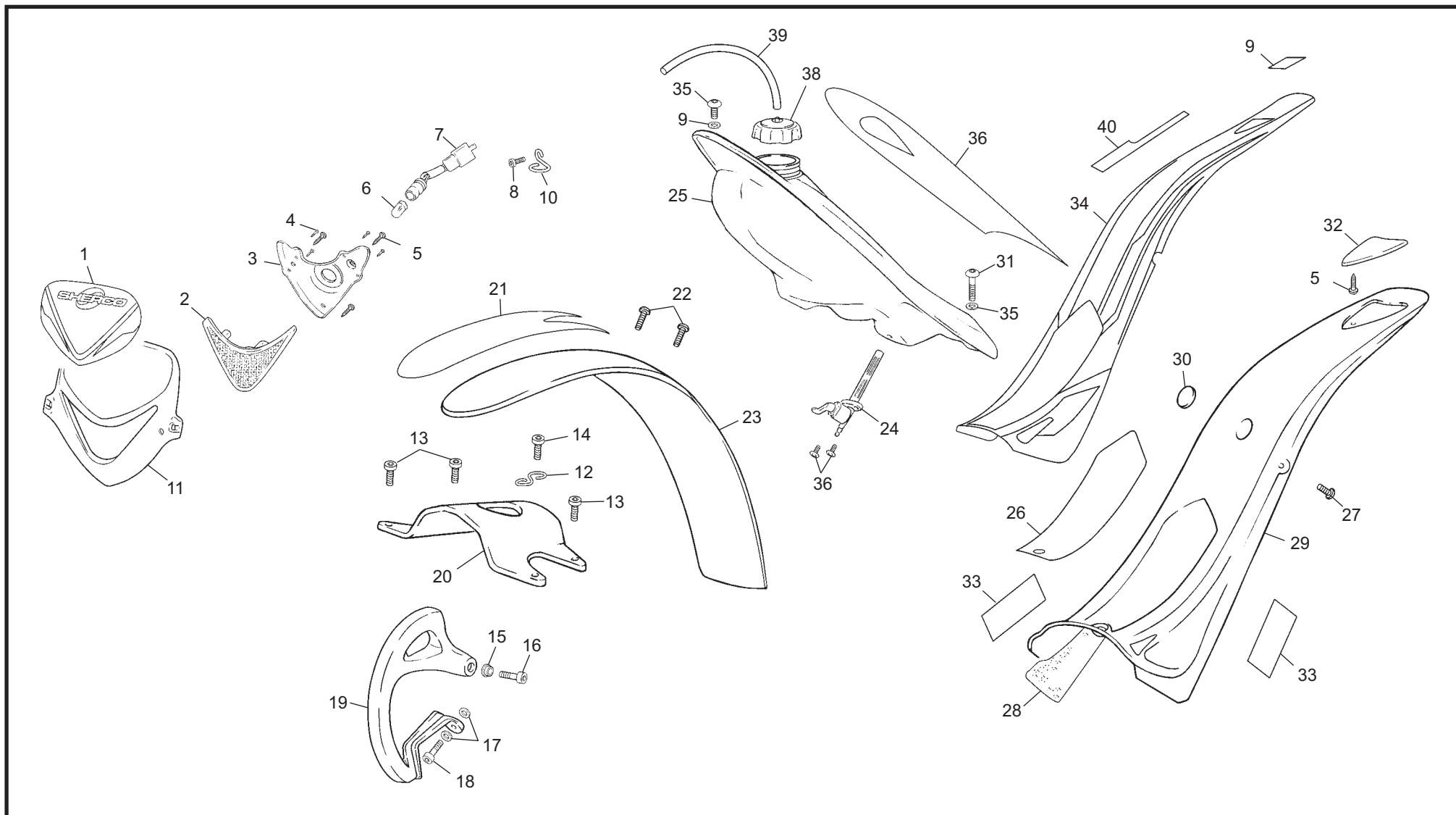
POS.	3,2 4T	FRANÇAIS	ENGLISH	ESPAÑOL
1	C070	GUIDON	HANDLEBAR	MANILLAR
2	C074	COMMANDE DE GAZ	THROTTLE CONTROL	MANDO DE GAS
3	C075	POIGNEE CAOUTCHOUC PAIRE	GRIPS SET	JUEGO EMPUÑADURAS
4	C076	CABLE DE GAZ	THROTTLE CABLE	CABLE DE GAS
5	R023	KIT REP. EMBRAYAGE	CLUTCH SLAVE CYLINDER REPAIR KIT	KIT REPARACIÓN EMBRAGUE
6	R024	TORIQUE EMBRAYAGE	CLUTCH SLAVE CYLINDER O-RING	TÓRICA EMBRAGUE
7	R030	POMPE EMB. CPL	CLUTCH MASTER CYLINDER ASSEMBLY	CONJUNTO BOMBA EMBRAGUE
8	R441	LEJIER EMB SEUL	CLUTCH LEVER	MANETA EMBRAGUE
9	R032	RECEPTEUR EMB SEUL	CLUTCH SLAVE CYLINDER HOUSING	PINZA EMBRAGUE COMPLETA
10	R033	DURITE EMBRAYAGE	CLUTCH HOSE	EMBRAGUE / FRENO
11	M089	GROUPE CPL. EMB.	COMPLETE CLUTCH HYDRAULIC KIT	GRUPO EMBRAGUE COMPLETO
12	R042	CLIP PLAQUETTES	CALIPER SPRING CLIP	CLIP PASTILLAS
13	R207	CONTACTEUR FREIN AVANT	BRAKE LIGHT SWITCH	INTERRUPTOR FRENO DELANTERO
14	C387	ETRIER FREIN AVANT	FRONT CALIPER ASSY	PINZA FRENO DELANTERO
15	C389	PLAQUETTES FREIN PAIRE	PAD BRAKE	JUEGO PASTILLAS FRENO
16	R234	KIT REPARATION ETRIER	FRONT BRAKE CALIPER REPAIR KIT	KIT REPARACIÓN PINZA
17	R053	KIT REPARATION POMPE	BRAKE MASTER CYLINDER REPAIR KIT	KIT REPARACIÓN BOMBA
18	R440	LEVIER FREIN AVANT SEUL	FRONT BRAKE LEVER	MANETA FRENO
19	R056	POMPE FREIN AV CPL	FRONT BRAKE MASTER CYLINDER ASSEMB.	BOMBA FRENO DELANTERO
20	R057	PURGEUR ETIER AVANT	BLEED SCREW	SANGRADOR DELANTERO
21	R058	CAPUCHON VIS DE PURGE	BLEED SCREW COVER	TAPÓN SANGRADOR
22	R059	VIS RACCORD M10 x 21	FRONT CALIPER BANJO BOLT	TORNILLO RACORD M10X21

**Guidon / Handlebar / Manillar**



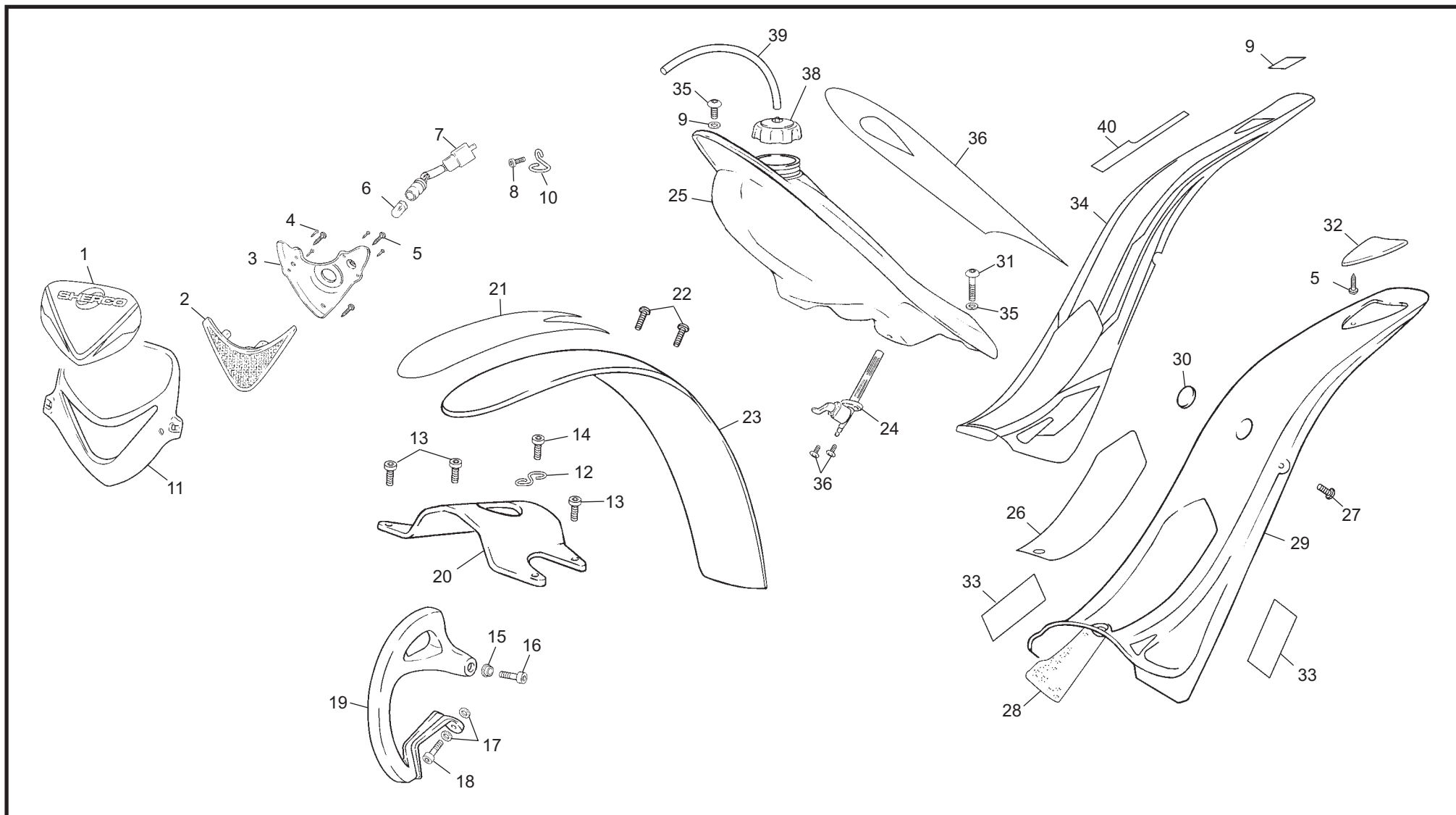
**Guidon / Handlebar / Manillar**

POS.	3,2 4T	FRANÇAIS	ENGLISH	ESPAÑOL
<b>23</b>	R043	GUIDE ETRIER	WIRE GUIDE LOOP	GANCHO LATIGUILLO
<b>24</b>	R044	VIS BANJO	BANJO BOLT	TORNILLO RACORD ULS
<b>25</b>	R074	JOINT	COPPER O-RING	ARANDELA BANJO
<b>26</b>	C318	GROUPE FREIN AVANT CPL	FRONT BRAKE HYDRAULIC ASSEMBLY	GRUPO FRENO DEL COMPLETO
<b>27</b>	R068	PURGEUR RACORD	BLEED SREW	SANGRADOR RACORD
<b>28</b>	R236	AXE ETRIER FREIN AV D. PISTON	PIN FRONT CALIPER DL.PISTON	EJE PINZA FRENO DEL DOBLE PISTÓN
<b>29</b>	M252	VIS CHC 6x20	SCREW CHC 6x20	TORNILLO M6X20 DIN 912
<b>30</b>	M283	VIS BHC 6x16	SCREW BHC 6x16	TORNILLO M6X16 ULS
<b>31</b>	M306	ECROU NYLSTOP M6	NUT NYLSTOP M6	TUERCA NYLSTOP M6
<b>32</b>	M317	RONDELLE x 6	WASHER x 6	ARANDELA X 6 DIN 125 B
<b>33</b>	R366	RACORD	BUSHING FRONT BRAKE LIGHT SWITCH	SOPORTE INTERIOR FRENO
<b>34</b>	R367	RESSORT	SPRING	MUELLE MANETA EMBRAGUE
<b>35</b>	R368	VIS REGULATION	SCREW	TORNILLO TENSOR MANETA EMBRAGUE
<b>36</b>	C674	MOUSSE GUIDON TRIAL	FOAM HANDLEBAR	ESPUMA MANILLAR TRIAL

**Plastiques / Plastics / Plásticos**

**Plastiques / Plastics / Plásticos**

POS.	3,2 4T	FRANÇAIS	ENGLISH	ESPAÑOL
1	C672	ADH. PLAQUE PHARE	FRONT LIGHT STICKER 2005	ADHESIVO PLACA FARO 2005
2	C068	OPTIQUE 2001	FRONT LIGHT2001	ÓPTICA 2001
3	C062	INT PLAQUE PHARE NOIR 2001	FRONT PLATE BACK HOLDER 2001	INTERIOR PLACA FARO NEGRO 2001
4	M336	VIS TOLE 2,9 X 9,5	SCREW TOLE 2,9 X 9,5	TORNILLO TOLE 2,9 X 9,5
5	M342	VIS TOLE 3,5 X 9,5	SCREW TOLE 3,5 X 9,5	TORNILLO TOLE 3,5 X 9,5
6	C067	AMPOULE 2001 12V 5W	BULB2001	BOMBILLA 2001 12V 5W
7	C066	FAISEAU OPTIQUE 2001	FRONT LIGHT CABLE SYSTEM 2001	INSTALACIÓN OPTICA 2001
8	M282	VIS BHC 6 X 10	SCREW BHC 6 X 10	TORNILLO 6 X 10 ULS
9	C307	ADHESIF RESERVE COMPETITION	RACE STICKER	ADHESIVO RESERVE COMPETICIÓN
10	M273	CAVALIER	CAVALIER	BRIDA
11	S351	PLAQUE PHARE	FRONT LIGHT	PLACA FARO
12	R136	GUIDE RESSORT FOURCHE	SRING GUIDE 2000	GUÍA LATIGUILLO HORQUILLA
13	M289	VIS CHC 6 X 16	SCREW CHC 6 X 16	TORNILLO 6 X 16 DIN 912
14	M251	VIS BHC M6 X 12	SCREW BHC M6 X 12	TORNILLO M6 X 12
15	C031	ENTRETOISE PARE DISQUE	SPACER DISC COVER	SEPARADOR CUBREDISCOS DELANTERO
16	M262	VIS CHC 8 X 30 0084	SCREW CHC 8 X 30	TORNILLO 8 X 30ALLEN
17	M318	RONDELLE X 8 1405 08	WASHER X 8	ARANDELA 8 DIN 125 A
18	M257	VIS CHC 4 X 16 0084	SCREW VIS CHC 4 X 16	TORNILLO 4 X 16 ALLEN
19	C636	PARE DISQUE AV GRIS 2004	DISC COVER GRIS 2004	PROTECTOR DISCO PLATA 2004
20	C439	ARCEAU FOURCHE MAT 03	F/MUDGUARD HOLDER 03	PUENTE SUSPENSION MAT 03
21	C671	ADHESIF GB AV 2005	MUDGUARD FRONT STICKER 2005	ADHESIVO GB DEL 2005
22	M289	VIS BHC M6 X 12 109	SCREW BHC M6 X 12 1093	TORNILLO M6 X 12 1093

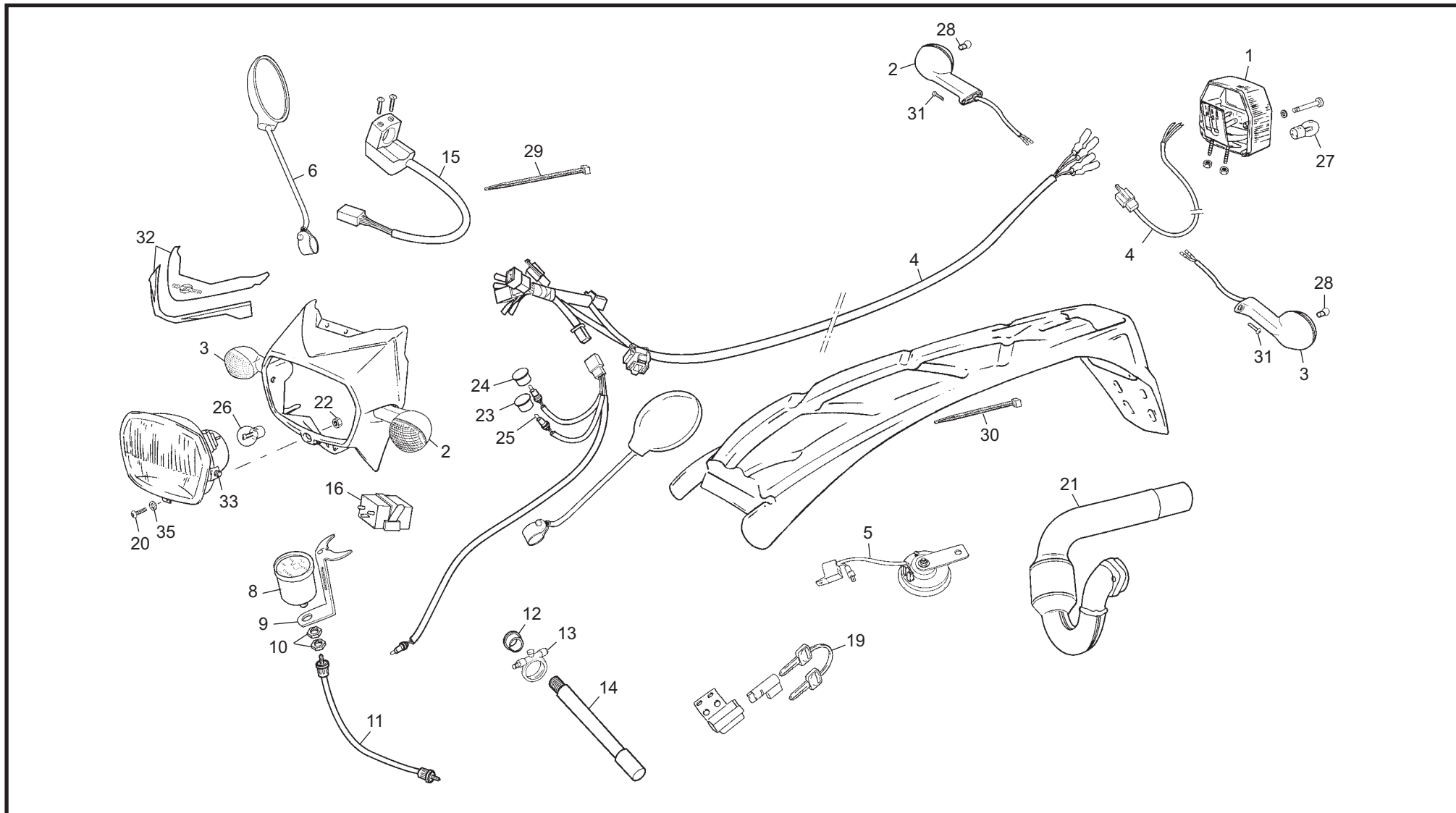
**Plastiques / Plastics / Plásticos**

## Plastiques / Plastics / Plásticos

POS.	3,2 4T	FRANÇAIS	ENGLISH	ESPAÑOL
23	S350	PARE BOUE AVANT	FRONT MUDGUARD	GUARDABARROS DELANTERO
24	C023	ROBINET ESSENCE	PETROL TAP	GRIFO GASOLINA
25	C651	RESERVOIR PEINT4T TRIAL	FUEL TANK PAINTED TRIAL 4T	DEPÓSITO
26	C670	SELLE 2005	SEAT 2005	SILLÍN 2005
27	M345	VIS BHC 6 X 12 CAROSSERIE	SCREW BHC 6 X 12 BODY	TORNILLO BHC 6 X 12 CARROCEÍA
28	C392	ADHESIF THERMIQUE GB AR	THERMIC STECKER MUDGUARD	PROTECTOR TERMICO GUARDABARROS
29	C635	PARE BOUE ARRIERE GRIS 2004	REAR MUDGUARD GRIS 2004	GUARDABARROS TRASERO PLATA 2004
30	C308	MOUSSE DOUBLE FACE	MUGARD FOAM STICKER	ESPUMA ADH REDONDO SHERCO DE GUAR.
31	M343	VIS BHC 6 X 35 1093	SCREW BHC 6 X 35 1093	TORNILLO BHC 6 X 35 1093
32	C064	FEU ARRIERE 2001	BACK LIGHT2001	PILOTO TRASERO 2001
33	C698	ADHESIF 3.2 05	3.2 STICKER 05	ADHESIVO 3.2 05
34	C668	ADHESIF GB AR 2005	MUDGUARD BACK STICKER 2005	ADH. GUARDABARROS TRASERO 2005
35	M321	RONDELLE 6 X 18	WASHER 6 X 18	ARANDELA 6 X 18 DIN 9021
36	M282	VIS BHC 6 X 10	SCREW BHC 6 X 10	TORNILLO 6 X 10 ULS
37	C669	ADHESIF RESERVOIR 2005	TANK STICKER 2005	ADH. DEPÓSITO 2005
38	C022	BOUCHON ESSENCE	PETROL CAP	TAPON GASOLINA
39	C043	DURITE BOUCHON ESSENCE	PETROL TUBE	TUBO TAPON GASOLINA
40	C700	ADHESIF FOUR STROKES 4T TRIAL	FOUR STROKES STICKER 4T TRIAL	ADHESIVO FOUR STROKES 4T TRIAL



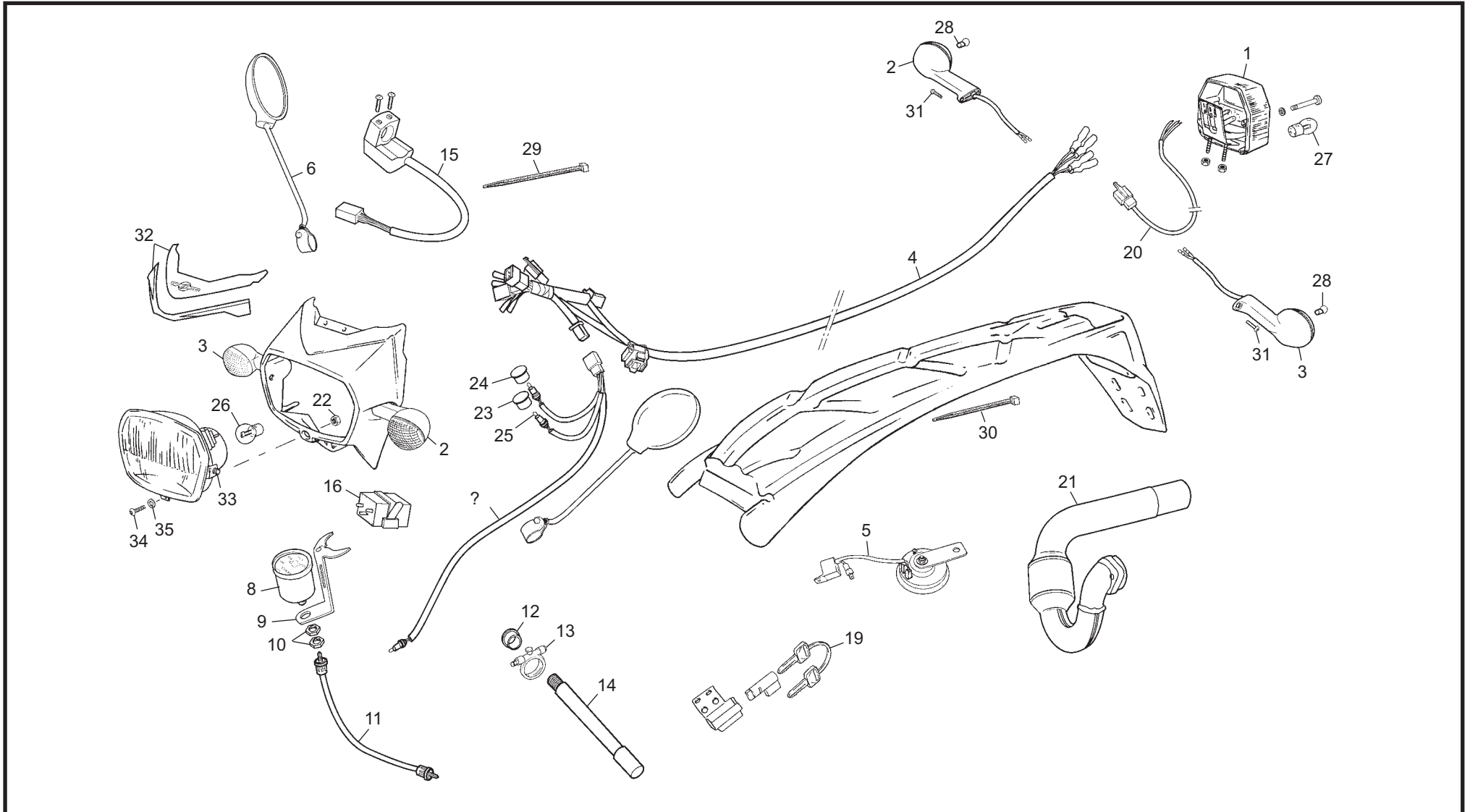
Kit homologation / Kit homologation / Kit homologación



**Kit homologation / Kit homologation / Kit homoologación**

POS.	3,2 4T	FRANÇAIS	ENGLISH	ESPAÑOL
1	S354	FEU ROUGE ARRIERE LUXAR	REAR LIGHT ASSY	PILOTO TRASERO COMPLETO
2	S233	CLIGNO	INDICATOR	INTERMITENTE
3	S234	CLIGNO	INDICATOR	INTERMITENTE
4	S252	FAISSEAU ELECT CLIGNO CEE	LIGHT COIRE LOOM	INSTALACIÓN INTERMITENTES
5	C042	AVERTISSEUR SONORE	HORN	CLAXON
6	S232	RETROVISEUR	MIRROR	RETROVISOR
7	S353	GROUPE FHARE AVANT CEV	FRONT LIGHT ASSY	FARO DELANTERO
8	R201	COMPTEUR DE VITESSE	SPEEDOMETER ASSEMBLY	CUENTA KILÓMETROS
9	S287	SUPPORT COMPTEUR FOURCHE	BRACKET	SOPORTE CUENTA Km.
10	R202	ECROU SPECIAL COMPTEUR	NUT (LOCK)	TUERCA
11	R203	CABLE COMPTEUR DE VITESSE	SPEEDOMETER CABLE	CABLE CUENTA Km.
12	R199	ENTRETOISE COMPTEUR.	SPACER	CASQUILLO REENVIÓ
13	R200	ENTRAINEUR DE COMPTEUR	SPEEDOMETER DRIVE	REENVIÓ
14	R209	AXEA ROUE SPECIAL COMPTEUR	FRONT WHEEL AXLE	EJE ESPECIAL
15	S288	FAISS. ELCTR. + CONMUTATEUR CLIGNO	ELECTRIC CABLE HOMOLOGATION	CONMUTADOR DE INTERMITENCIAS
16	S289	CENTRAL CLIGNO HOMOLOGATION	INDICATOR LIGHT CENTRAL	CENTRAL INTERMITENCIAS
17	S352	PLAQUE PHARE GRIS HOMOL.	FRONT LIGHT COVER	PLACA FARO
18	C306	SUPPORT FEU HOMOLOGATION	SUPPORT HOMOLOGATION LIGHT	SOPORTE PILOTO TRASERO HOMOL.
19	C398	ANTIVOL	BOLT	ANTIRROBO
20	M267	VIS CHC 4X16	SCREM CHC 4X16	TORNILLO ALLEN 4X16
21	C399	TUBE ECHAPEMENT HOMOL	EXHAUST PIPE HOMOLOGATION	TUBO ESCAPE CON OBTURADOR
22	M307	ECRON NYLSTOP M4R	NUT NYLSTOP M4	TUERCA NYLSTOP M4

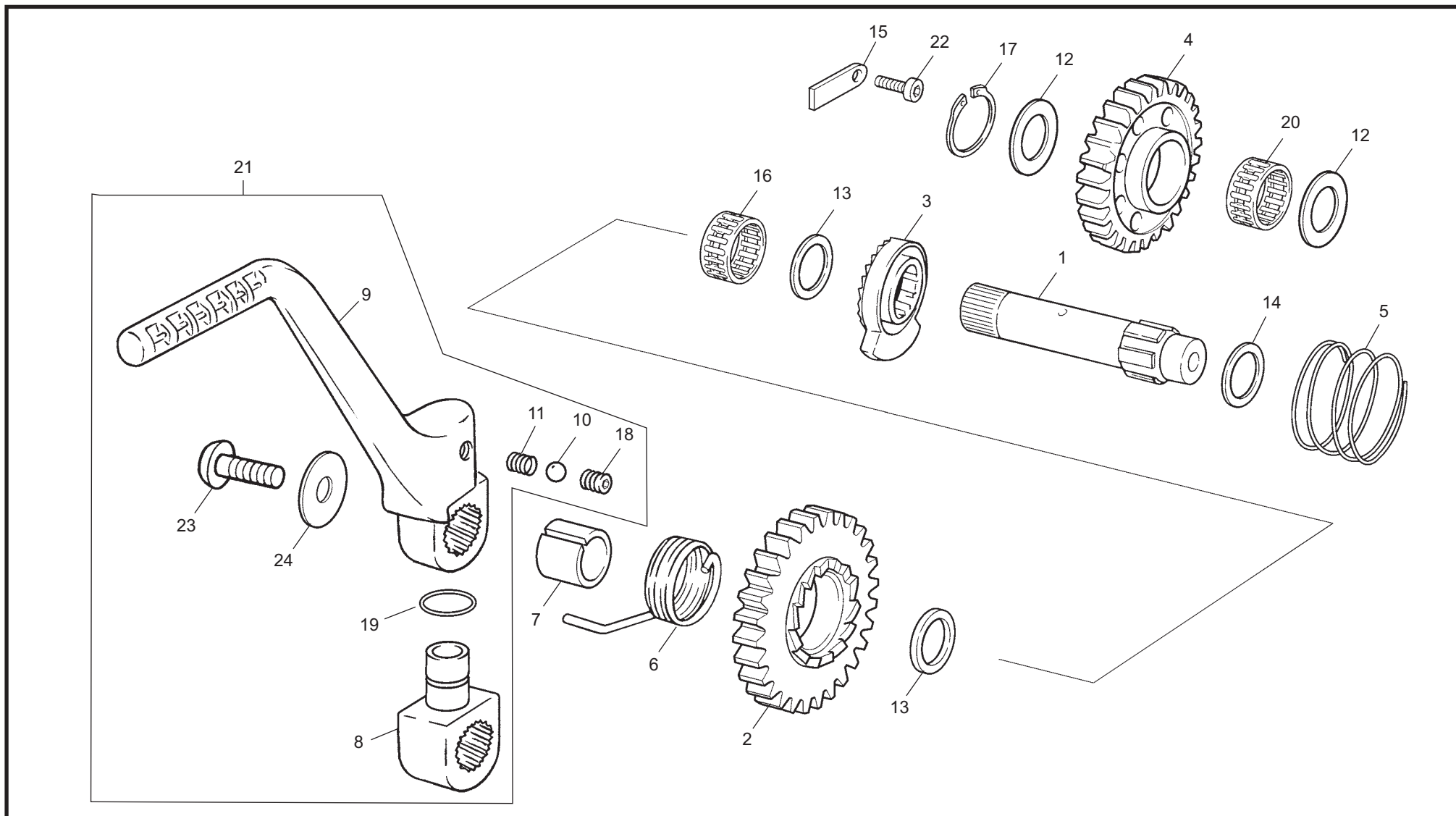
Kit homologation / Kit homologation / Kit homologación



**Kit homologation / Kit homologation / Kit homoologación**

POS.	3,2 4T	FRANÇAIS	ENGLISH	ESPAÑOL
<b>23</b>	C400	TEMOIN VERD	TEST LIGHT GREEN	TESTIGO VERDE
<b>24</b>	C401	TEMOIN BLEU	TEST LIGHT BLUE	TESTIGO AZUL
<b>25</b>	C402	AMPOULE TEMOIN 13W 12V	BULB TEST	BOMBILLA TESTIGOS 13W 12V
<b>26</b>	C403	AMPOULE FARE 35/35W 12V	BULB FRONT LIGHT	BOMBILLA FARO 35/35W 12V
<b>27</b>	C404	AMPOULE PILOTE ARR 21/5W 12V	BULB BACK LIGHT	BOMBILLA PILOTO TRAS 21/5W 12V
<b>28</b>	C405	AMPOULE CLIGNO 10W/12V	BULB IND LIGHT	BOMBILLA INTERMITENTES 10W/12V
<b>29</b>	M330	COLLIER 178X4,8	BRACKET 178X4,8	ABRAZADERA 178X4,8
<b>30</b>	M331	COLLIER 100X2,5	BRACKET 100X2,5	ABRAZADERA 100X2,5
<b>31</b>	M335	VIS TOLE 3,9X16	SCREW 3,9X6	TORNILLO ROSCA CHAPA 3,9X16
<b>32</b>	C695	AD PLAQUE FARE	FRONT LIGHT STICKER	ADH. PLACA FARO
<b>33</b>	M400	VIS SANS TETE M5X12	SCREW NO HEAD M5X12	ESPARRAGO M5X12

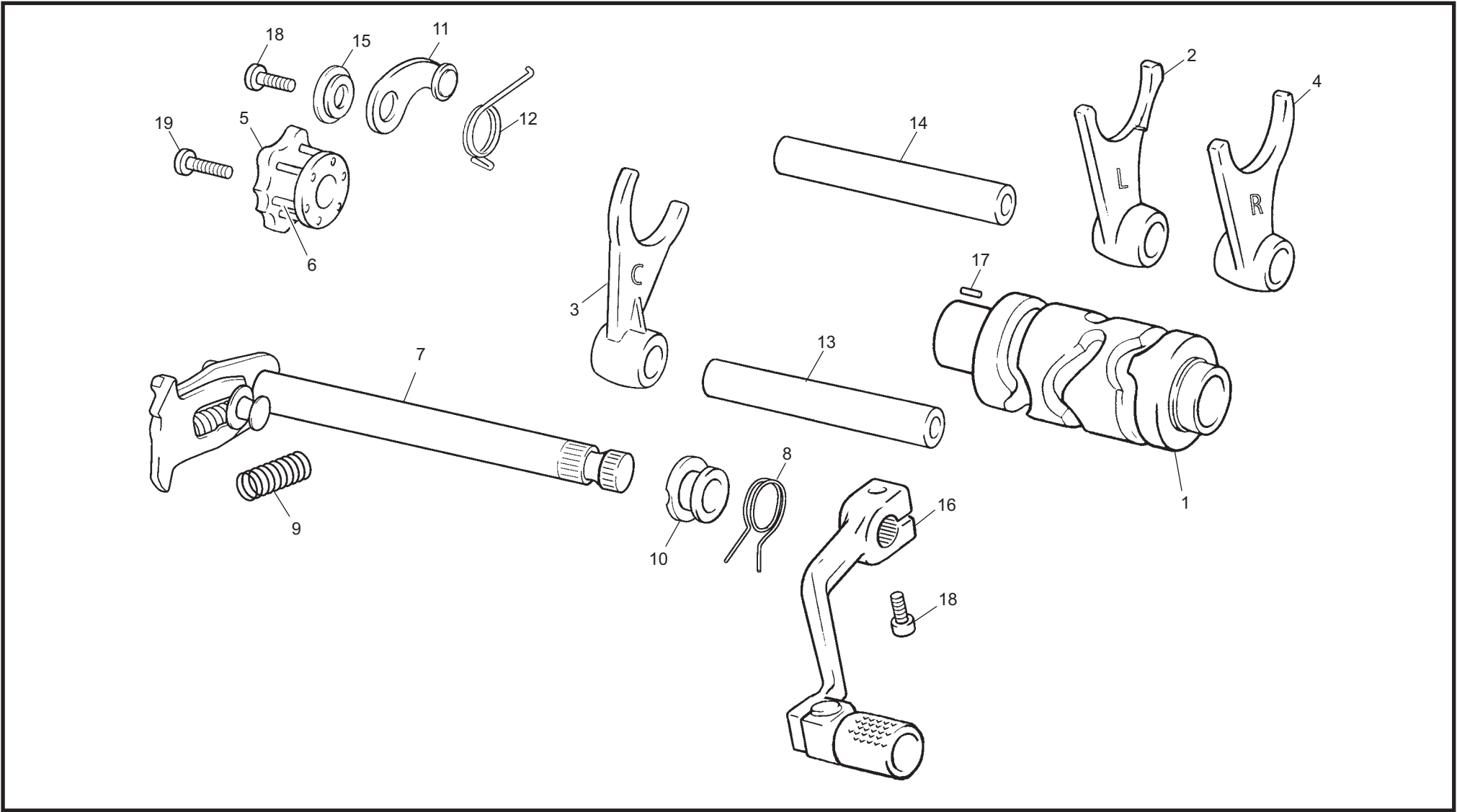
**Lanceur / Kickstarter assembly / Pedal arranque**



## Lanceur / Kickstarter assembly / Pedal arranque

POS.	3,2 4T	FRANÇAIS	ENGLISH	ESPAÑOL
1	M150	ARBRE LANCEUR	KICKSTARTER SHAFT	EJE ARRANQUE
2	M151	PIGNON LIBRE DENT DE LOUP	KICKSTARTER PINION	PIÑÓN TRINQUETE
3	M152	COULISSEAU DENT DE LOUP	KICKSTARTER FREE RACHET	TRINQUETE DESPLAZABLE
4	M153	ROUE INTERMEDIAIRE	KICKSTARTER IDLE GEAR	RUEDA INTERMEDIA
5	M155	RESSORT COULISSEAU D DE L	COMPRESSION SPRING	MUELLE TRINQUETE
6	M156	RESSORT DE RAPPEL	KICKSTARTER SPRING	MUELLE DE RETORNO
7	M157	DOUILLE CENTRAGE RESSORT	KICKSTARTER SPRING SPACER	CASQUILLO CENTRAJE MUELLE
8	M158	NOIX DE KICK	KICKSTARTER LOWER CLAMP	MUÑEQUILLA PEDAL ARRANQUE
9	M159	LEVIER DE KICK	KICKSTARTER UPPER LEVER	PEDAL ARRANQUE
10	M160	BILLE 5.5	5.5 BALL	BOLA 5.5
11	M161	RESSORT DE POUSSEE BILLE	BALL SPRING	MUELLE PULSADOR BOLA
12	M163	RONDELLE INA AS 17x30x1	WASHER INA AS 17x30x1	ARANDELA INA AS17X30X1
13	M164	RONDELLE ARBRE 17x25x1	WASHER 17x25x1	ARANDELA EJE ARRANQUE 17X25X1
14	M165	RONDELLE ARBRE 16x25x1	WASHER 16x25x1	ARANDELA EJE ARRANQUE 16X25X1
15	M166	BUTEE COULISSEAU D DE L	KICKSTARTER RACHET STOP	TOPE TRINQUETE DESPLAZABLE
16	M167	CAGE AIGUILLE PIGNON DENT LOUP	NEEDLE BEARING K17x20x10	JAULA AGUJAS PIÑÓN TRINQUETE
17	M171	SEGMENT ARRET DIAN 17	RETAINING RING 17	SEEGER DIÁMETRO 17
18	M169	VIS SANS TETE	SET SCREW	PRISIONERO
19	M168	TORIQUE 14X2	O-RING 14X2	TÓRICA 14X2
20	M077	DOUILLE AGUILLE HK1712 B	NEEDLE ROLLER BEARING HK1712 B	JAULA AGUJAS HK1712 B
21	M149	KICK COMPLETE	COMPLETE KICKSTARTER LEVER ASSEMBLY	PEDAL COMPLETO
22	M251	VIS CHC 6x16	SCREW CHC 6x16	TORNILLO M6X16 DIN 912
23	M280	VIS BHC 8x16	SCREW BHC 8x16	TORNILLO M8X16 ULS
24	M319	RONDELLE 8x18x1.5	WASHER 8x18x1.5	ARANDELA 8X18X1.5 CÓNICA DIN

**Selection / Selector / Selector**

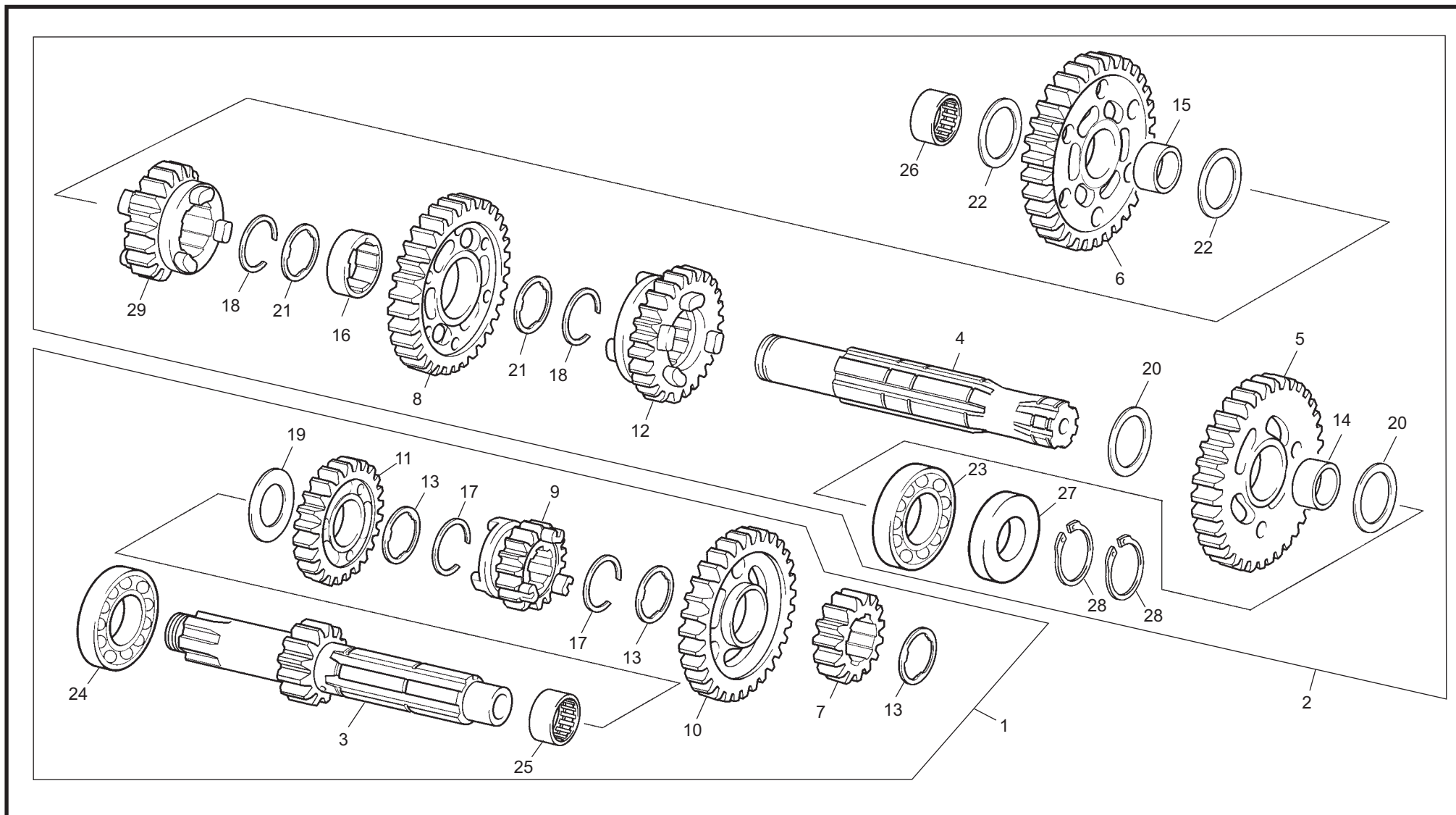




**Selection / Selector / Selector**

POS.	3,2 4T	FRANÇAIS	ENGLISH	ESPAÑOL
1	M100	TAMBOUR DE SELECTION	SELECTOR DRUM	DESMODRÓMICO SELECTOR
2	M102	FOURCHETTE L	L FORK	HORQUILLA L
3	M103	FOURCHETTE	C FORK	HORQUILLA C
4	M104	FOURCHETTE R	R FORK	HORQUILLA R
5	M105	ETOILE DE SELECTION CPL	INDEX SHIM	ESTRELLA SELECTOR
6	M106	PION ETOILE INA NRA 3x19,8	SELECTOR DRUM	AGUJA DE SELECTORINA
7	M107	ARBRE DE SELECTEUR CPL	SHIFT SHAFT WITH PAWL ASSY	ÁRBOL SELECTOR
8	M110	RESSORT RAPPEL SELECTION	SPRING SHIFT LEVER	MUELLE RETORNO SELECTOR
9	M111	RESSORT RAPPEL COULISSEAU	PAWL ASSY SPRING	MUELLE RETORNO ESCORPIÓN
10	M113	DOUILLE CENTRAGE RESSORT RAPPEL	SPACER SPRING SHIFT LEVER	CASQUILLO CENTRAJE MUELLE
11	M114	LEVER DE VERROUILLAGE CPL	INDEX LEVER ASSY	PALANCA DE CIERRE SELECTOR
12	M117	RESSORT DE RAPPE LEVIER VERROUIL	INDEX SPRING	MUELLE RETORNO PALANCA DE CIERRE
13	M118	AX DE FOURCHETTE COURT	FORK SPINDLE	EJE DE HORQUILLA CORTO
14	M119	AXE DE FOURCHETTE LONG	FORK SPINDLE LONG	EJE DE HORQUILLA LARGO
15	M121	DOUILLE LEVIER VERROUILLAGE	COLLAR	CASQUILLO PALANCA CIERRE
16	M127	SELECTEUR EXTERIEUR	SHIFT LEVER ASSY	PALANCA DE CAMBIO
17	M122	PION CLAVETAGE NRA 3X11,8	NEEDLE PINNRA 3X11,8	AGUJA DESMO NRA 3X11,8
18	M252	VIS CHC 6x20	SCREW CHC 6x20	TORNILLO M6X20 DIN 912
19	M253	VIS CHC 6x30	SCREW CHC 6x30	TORNILLO M6X30 DIN 912

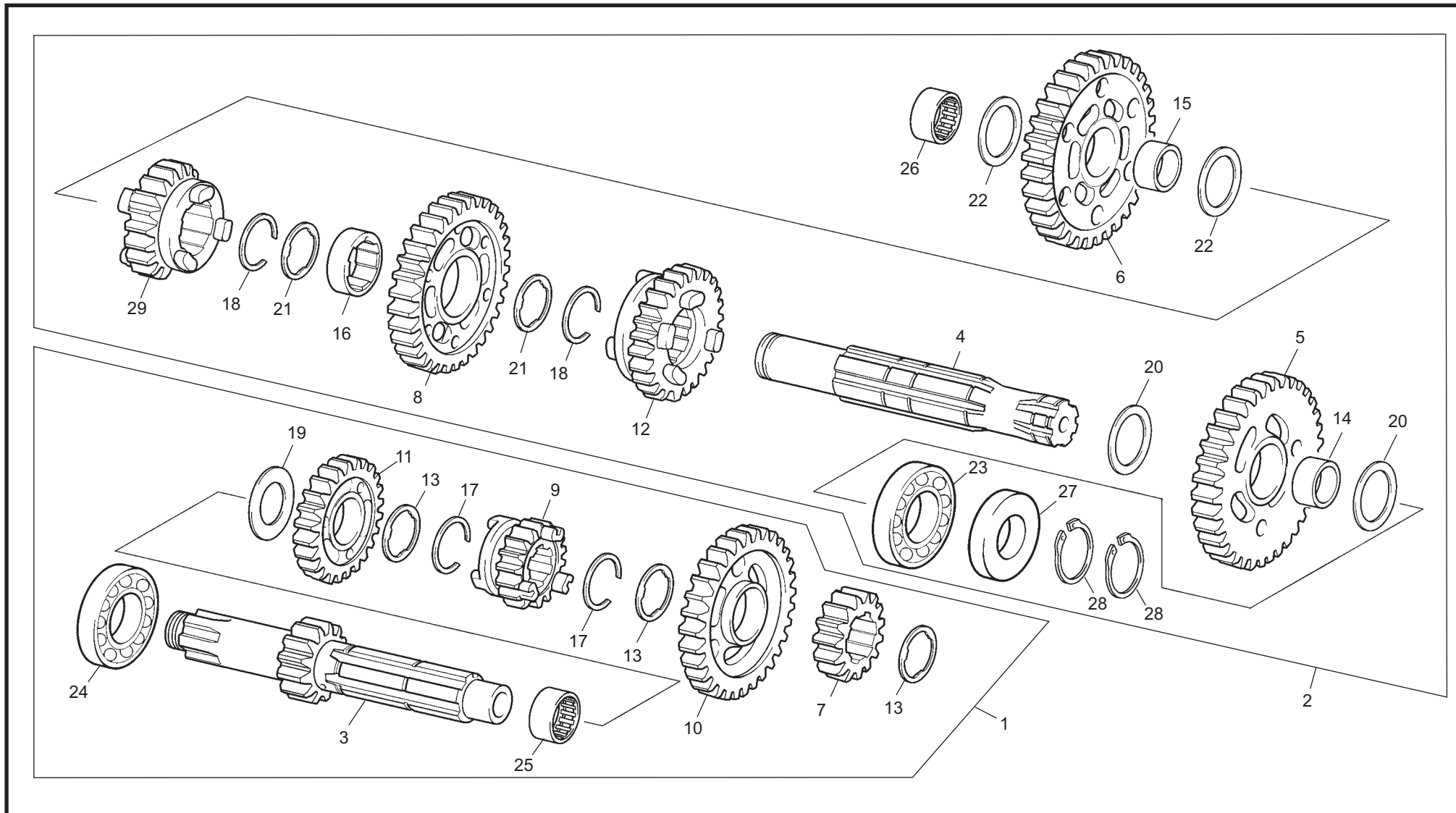
**Boite a vitesses / Gear set / Cambio**



**Boite a vitesses / Gear set / Cambio**

POS.	3,2 4T	FRANÇAIS	ENGLISH	ESPAÑOL
1	M390	ENSEMBLE ARBRE PRIMAIRE	GROUP PRIMARY SHAFT WITH PINION	CONJUNTO. EJE PRIM. CAMBIO
2	M391	ENSEMBLE ARBRE SECONDAIRE	GROUP SECONDARY SHAFT WITH PINION	CONJUNTO. EJE SECUN. CAMBIO
3	M374	ARBRE PRIMAIRE / PIGNON 1ERE EVOL 2	GEAR CLUTCH SHAFT EVOL 2	EJE PRIMARIO EVOL 2
4	M054	ARBRE SECONDAIRE	MAINSHAFT	EJE SECUNDARIO
5	M367	PIGNON SECONDAIRE 1ERE EVOL 2 S/S	PINION SECOND 1ERE EVOL 2 S/S	PIÑÓN SECOND 1ERE EVOL 2 S/S
6	M056	ROUE LIBRE DE 2EME S/S	FREE PINION 2EME	CORONA DE 2° S/S
7	M057	PIGNON FIXE DE 2EME S/P	GEAR PINION 2EME	PIÑÓN DE 2° S/P
8	M058	ROUE LIBRE DE 3EME S/S	FREE PINION 3EME	CORONA DE 3° S/S
9	M059	PIGNON BALADEUR DE 3EME S/P	GEAR PINION 3EME	PIÑÓN DESPLAZABLE 3° S/P
10	M061	ROUE LIBRE DE 5EME S/P	FREE PINION 5EME	CORONA LIBRE DE 5° S/P
11	M062	LIBRE DE 4EME S/P	GEAR PINION 4EME	PIÑÓN DE 4° S/P
12	M063	ROUE BALADEUSE DE 4EME S/S	FREE PINION 4EME	CORONA DESPLAZABLE DE 4° S/S
13	M064	RONDELLE CRENEAUX 20x24x1	GEAR WASHER	ARANDELA ESTRIADA
14	M065	DOUILLE ANTI FRICTION 1ERE	BUSHING 1ERE	CASQUILLO ANTI-FRICCIÓN 1°
15	M066	DOUILLE ANTI FRICTION 2EME	BUSHING 2EME	CASQUILLO ANTI-FRICCIÓN 2°
16	M067	DOUILLE ANTI FRICTION 3EME	BUSHING 3EME	CASQUILLO ANTI-FRICCIÓN 3°
17	M068	SEGMENT ARRET WR20	RETAINING WR 20	SEEGER WR 20
18	M069	SEGMENT ARRET WR22	RETAINING WR 22	SEEGER WR 22
19	M070	RONDELLE INA ARBRE PRIMAIRE 27,8X15X1	THRUST WASHER 28,7X15X1	ARANDELA INA EJE PRIMARIO 27,8X15X1
20	M071	ARBRE SECONDAIRE 17x27x1	MAINSHAFT WASHER	ARANDELA EJE SECUNDARIO
21	M072	RONDELLE CRENEAU ARBRE	WASHER	ARANDELA ESTRIADA EJE SECUNDARIO
22	M073	RONDELLE ARBRE SECONDAIRE 20x27x1	MAINSHAFT WASHER	ARANDELA EJE SECUNDARIO

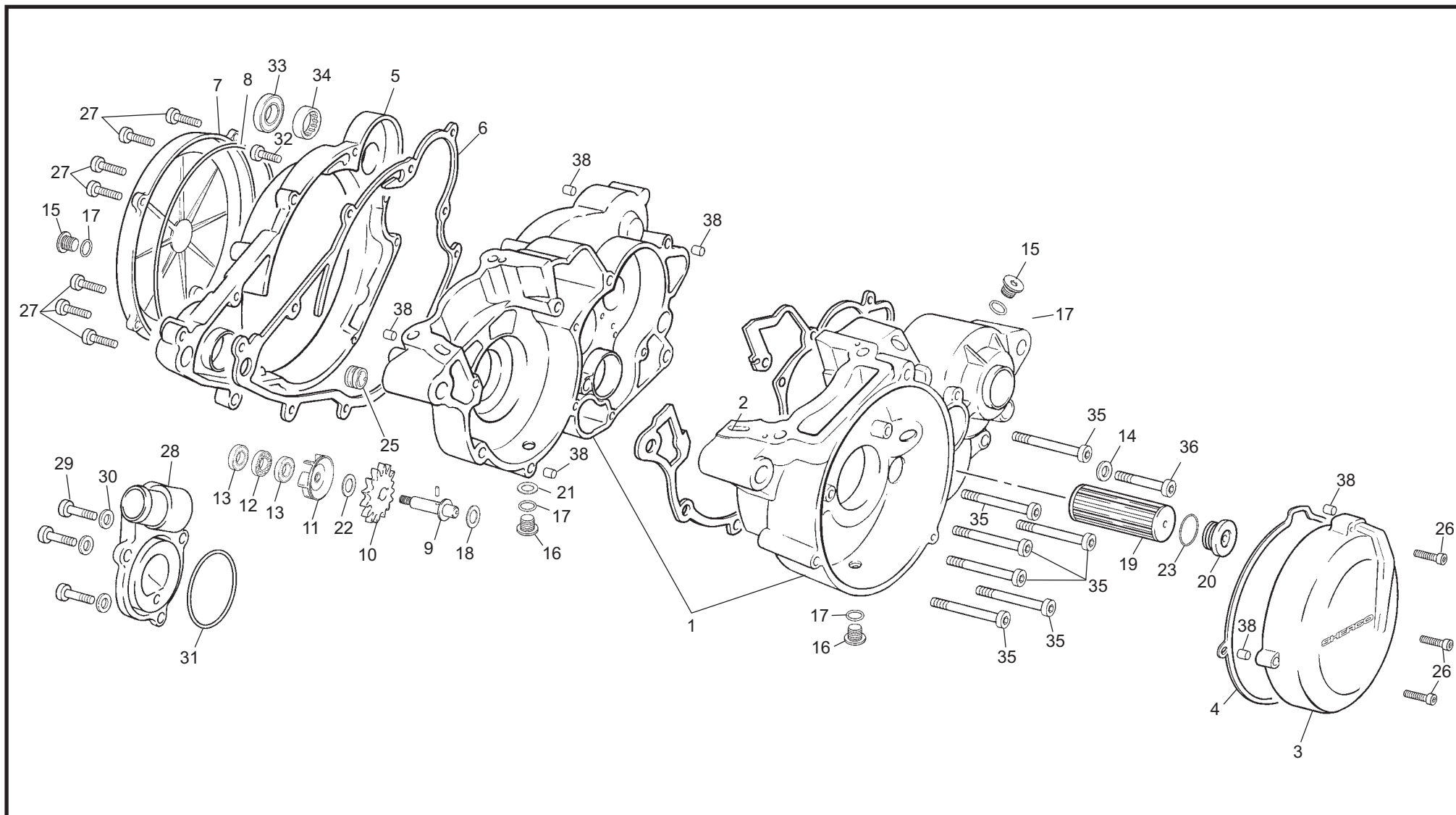
**Boite a vitesses / Gear set / Cambio**



**Boite a vitesses / Gear set / Cambio**

POS.	3,2 4T	FRANÇAIS	ENGLISH	ESPAÑOL
<b>23</b>	M074	ROULEMENT 20x47x14	BEARING 20x47x14	COJINETE 20X47X14 6204 C3
<b>24</b>	M075	ROULEMENT 20x47x14 RSR	BEARING 20x47x14RSR	COJINETE 20X47X14 6204 RS
<b>25</b>	M076	DOUILLE AIGUILLE 15x21x12	NEEDLE BEARING 15x21x12	CASQUILLO DE AGUJAS 15X21X12
<b>26</b>	M077	DOUILLE AIGUILLE HK1712B	NEEDLE BEARING 17x23x12	CASQUILLO DE AGUJAS HK1712B
<b>27</b>	M078	DOUBLE LEVRE 20x30x7	OIL SEAL 20x30x7 JOINT	RETÉN DOBLE LABIO 20X30X7
<b>28</b>	M350	ARRET WR20 SORTIE BOITE	SNAP RING WR20	SEGMENT ARRET WR20
<b>29</b>	M060	PIGNON LIBRE DE 5EME S/S	GEAR PINION 5EME	PIÑÓN DE 5ª S/S

Groupe carters / Crankcase assembly / Grupo carters

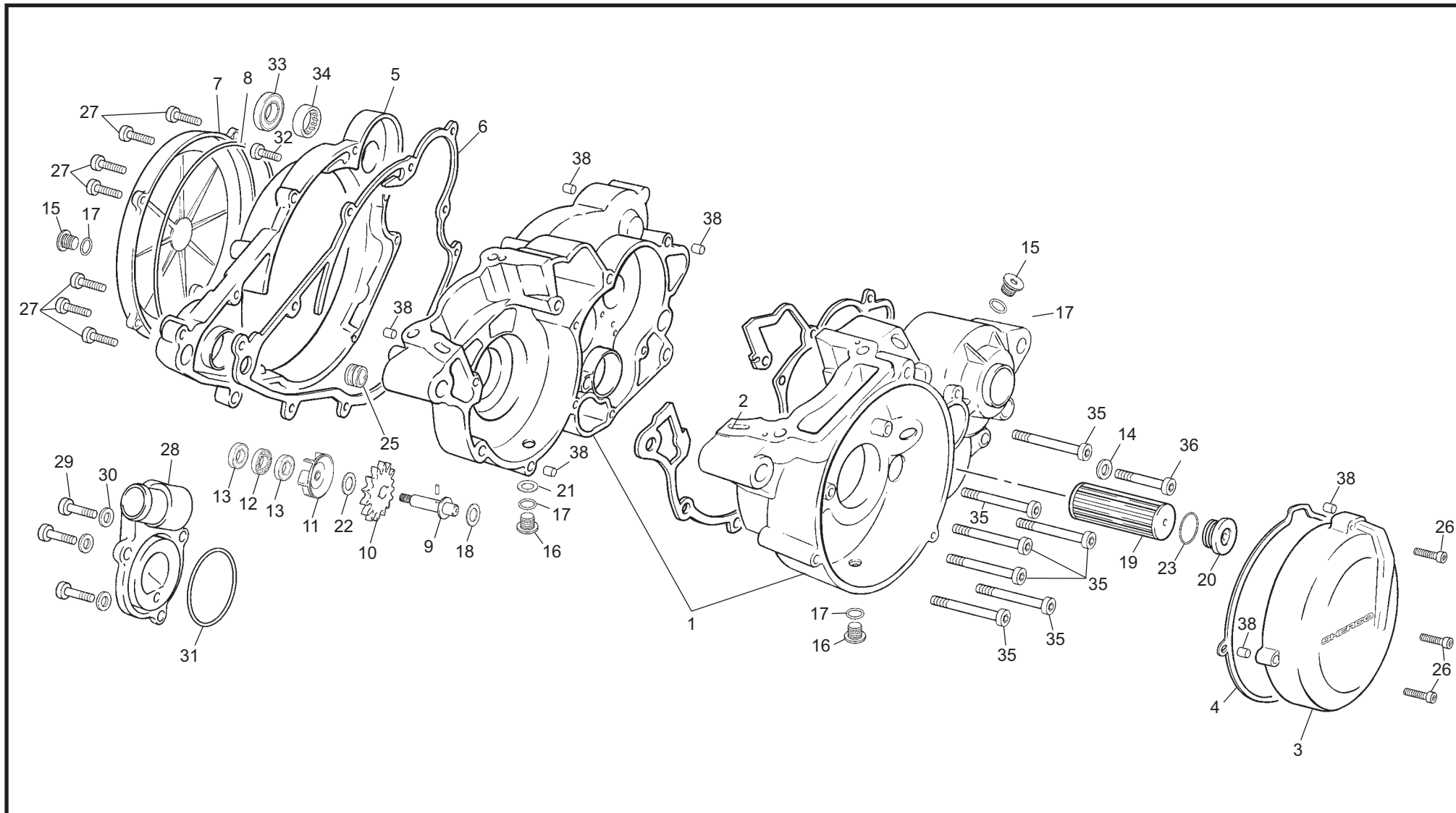


**Groupe carters / Crankcase assembly / Grupo carters**

POS.	3,2 4T	FRANÇAIS	ENGLISH	ESPAÑOL
1	M640	GROUPE CARTER CENTRAL 4T TRIAL	CRANCK CASE PAIR 4ST TRIAL	CTO. CARTER CENTRAL 4T TRIAL
2	M641	JOINT CARTER CENTRAL 4T TRIAL	CENTRAL CRANCK CASE GASKET 4ST TRIAL	JUNTA CARTER CENTRAL 4T TRIAL
3	M646	CARTER ALLUMAGE 4T TRIAL	IGNITION COVER 4ST TRIAL	TAPA INCENDIDO 4T TRIAL
4	M647	JOINT CARTER ALUMAGE 149,6X2 4T TRIAL	IGNITION COVER GASKET 149,6X2 4 TRIAL	JUNTA TAPA ENCENDIDO 149,6X2 4T TRIAL
5	M577	CARTER LATERAL DROITE 4T TRIAL	BOTTOM CLUTCH COVER 4T TRIAL	CARTER LATERAL DERECHO 4T TRIAL
6	M036	JOINT CARTER LATERAL	CLUTCH GASKET	JUNTA CARTER LATERAL
7	M383	COUVERCLE EMBRAYAGE 03	CLUTCH COVER 03	TAPETA EMBRAGUE 03
8	M045	JOINT TORIQUE 155 X2	O-RING 155X2	JUNTA TÓRICA 155X2
9	M363	AXE POMPE EAU EVOLUTION 3	WATER PUMP AXELE EVOLUTION 3	EJE BOMBA AGUA EVOLUCIÓN 3
10	M364	PIGNON POMPE EAU NYLON	PINION WATER PUMP NYLON	PIÑÓN BOMBA AGUA NYLON
11	M351	TURBINE POMPE EAU EVOLUTION2	WATERPUMP TURBINE EVOLUTION2	TURBINA BOMBA AGUA EVOLUTION2
12	M027	ROULEMENT BILLE POMPE EAU 608,2RS	WATER PUMP BEARING 608,2RS	COJINETE BOMBA AGUA 608,2RS
13	M031	JOINT POMPE A EAU 8X20X5DL	WATER PUMP SEAL 8X20X5DL	RETEN BOMBA AGUA 8X20X5DL
14	M276	RONDELLE ALU DIAM 6X	GASKET RING X6	ARANDELA COBRE X6
15	M021	BOUCHON REMPLISSAGE HUILE	CARTER FILTER TAP	TAPÓN LLENADO ACEITE CARTER
16	C929	BOUCHON VIDANGE AIMANT 4T TRIAL	MAGNETIC OIL CAP 4T TRIAL	TAPÓN VACIADO IMANTADO 4T TRIAL
17	M162	TORIQUE 10X2,5 BOUCHON HUIL	O-RING 10X2,5 OIL PLUG	TÓRICA 10X2,5 TAPON ACEITE
18	M049	RONDELLE 8 X 14 X 0,5	WASHER 8 X 14 X 0,5	ARANDELA 8 X 14 X 0,5
19	M642	FILTRE A HUILE TRIAL	OIL FILTER TRIAL	FILTRO ACIETE TRIAL
20	M643	BOUCHON FILTRE HUILE TRIAL	OIL FILTER CAP TRIAL	TAPÓN FILTRO ACIETE TRIAL
21	0610	RONDELLE ALU 12 X 18 X 1 END 450	WASHER AL 12 X18 X 1 END 450	ARANDELA ALU 12 X 18 X 1 END 450
22	M380	RONDELLE 6 X 12 X 0.3 POMPE EAU	WASHER 6 X 12 X 0.3	ARANDELA 6 X 12 X 0.3 BOMBA AGUA

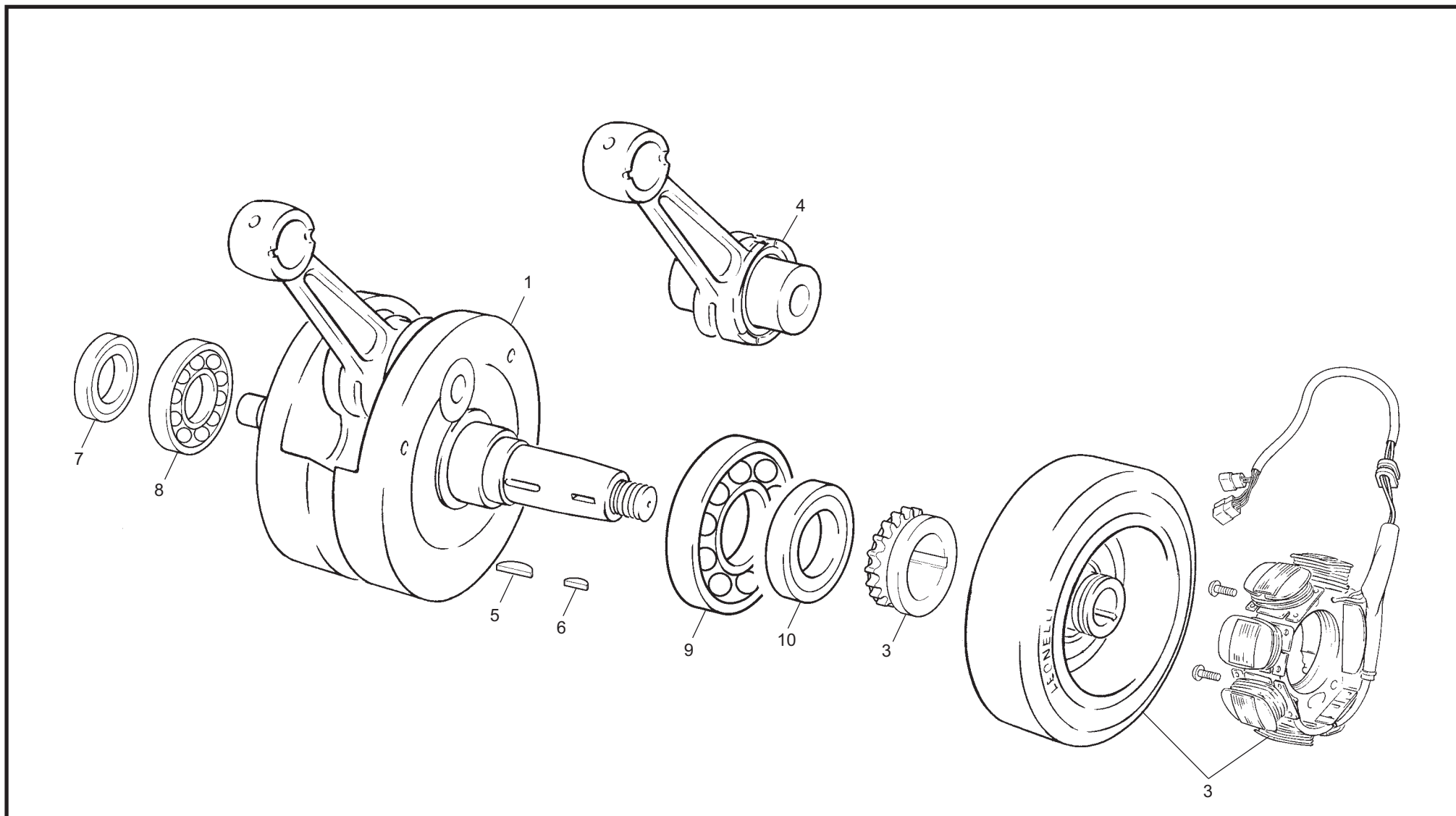


Groupe carters / Crankcase assembly / Grupo carters



**Groupe carters / Crankcase assembly / Grupo carters**

POS.	3,2 4T	FRANÇAIS	ENGLISH	ESPAÑOL
<b>23</b>	M644	JOINT TORIQUE 24 X 2 BOUCHON FILTRE	JOINT TORIQUE BOUCHON FILTRE HUILE TRIAL	JUNTA TÓRICA 24 X 2 TAPÓN FILTRO ACIETE
<b>24</b>	M078	JOINT DOUBLE LEVRE20X30X7	OIL SEAL20X30X7	RETEN DOBLE LABIO 20X30X7
<b>25</b>	M704	VOYANT NIVEAU HUILE (17X10) 4T TRIAL	OIL LEVEL GAUGE (17X10) 4T TRIAL	VISOR NIVEL ACEITE (17X10) 4T TRIAL
<b>26</b>	M729	VIS CHC 5 X 20	SCREW CHC 5 X 20	TORNILLO 5 X20
<b>27</b>	M250	VIS CHC 5 X 16	SCREW CHC 5 X 16	TORNILLO 5 X 16 ALLEN
<b>28</b>	M384	COUVERCLE POMPE EAU 03	WATER PUMP COVER 03	TAPA BOMBA AGUA 03
<b>29</b>	M288	VIS CHC 5X6	SCREW CHC 5X6	TORNILLO CHC 5X6
<b>30</b>	M277	RONDELLE ALU M5 0463 5X10	GASKET RING X5	ARANDELA COBRE X5
<b>31</b>	M033	JOINT TORIQUE COUVERCLE POMPE 37X2	O-RING WATER PUMP COVER 37X2	JUNTA TÓRICA TAPA BOMBA AGUA 37X2
<b>32</b>	M253	VIS CHC 6 X 30 0084	SCREW CHC 6 X 30	TORNILLO 6 X 30
<b>33</b>	M170	JOINT DOUBLE LEVRES 17X28X5DL	OIL SEAL 17X28X5DL	RETEN DOBLE LABIO17X28X5DL
<b>34</b>	M077	DOUILLE AIGUILLE HK1712B	NEEDLE BEARING 17X23X12	CASQUILLO DE AGUJAS 17X23X12
<b>35</b>	M254	VIS CHC 6 X 55	SCREW CHC 6 X 55	TORNILLO 6 X 55 ALLEN
<b>36</b>	M257	VIS CHC 6 X 60	SCREW CHC 6 X 60	TORNILLO 6 X 60 ALLEN
<b>37</b>	M026	VIS CHC 6 X 45	SCREW CHC 6 X 45	TORNILLO 6 X 45 ALLEN
<b>38</b>	M022	DOUILLE CENTRAGE CARTER	DOUILLE CENTRAGE CARTER	CASQUILLO CENTRADOR CARTER

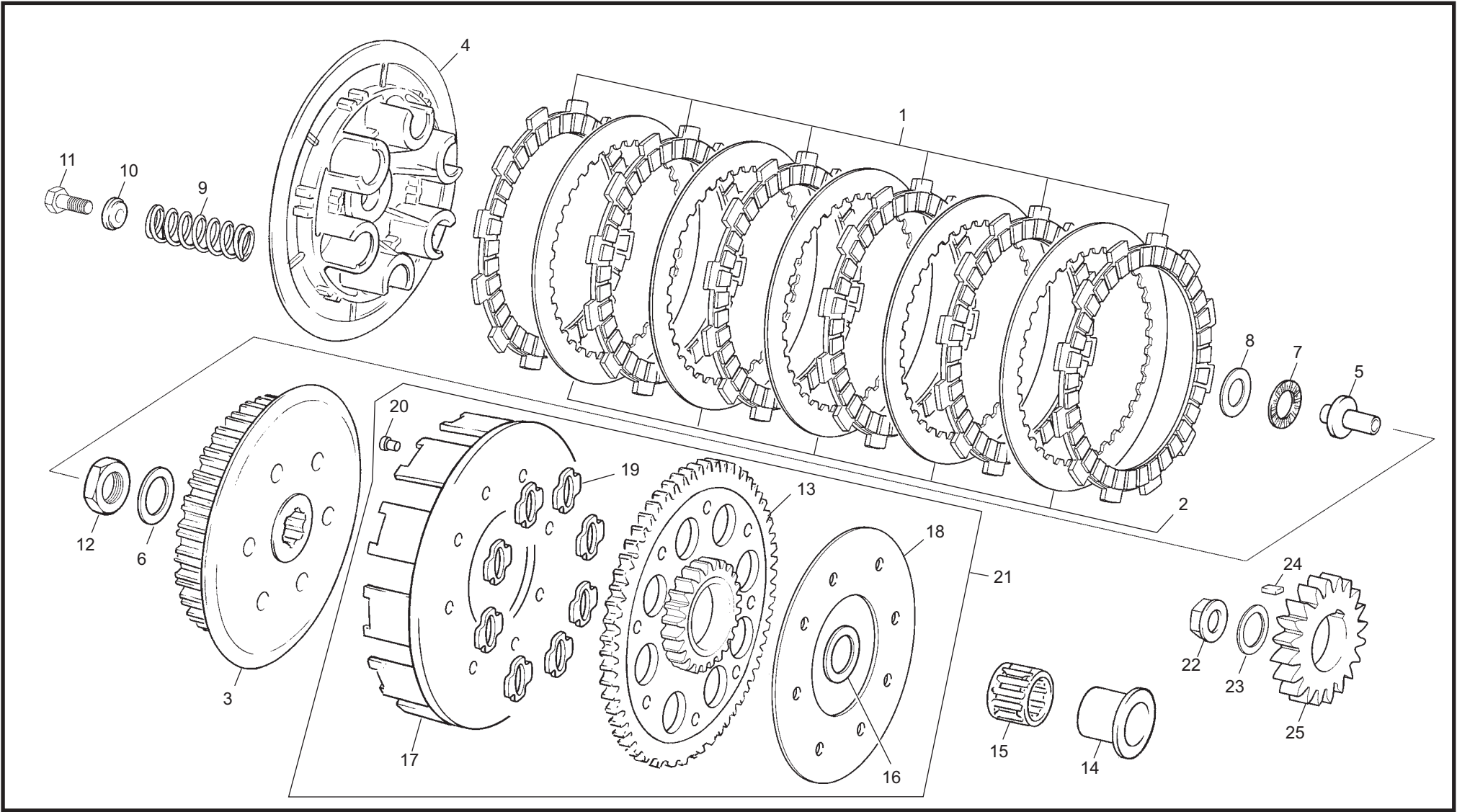
**Villebrequin assemble / Crankshaft assembly / Cigüeñal biela**

**Villebrequin assemble / Crankshaft assembly / Cigüeñal biela**

POS.	3,2 4T	FRANÇAIS	ENGLISH	ESPAÑOL
1	M653	VILLEBREQUIN CPL 4T TRIAL	CRANCK SHAFT ASSY 4ST TRIAL	CIGÜEÑAL CPL 4T TRIAL
2	M633	PIGNON DIST/ VILO 16 D TRIAL	PIGNON DIST/ VILO 16 D TRIAL	PIÑÓN CIGÜEÑAL 16D TRIAL
3	M345	ALLUMAGE CPL 4T TRIAL	IGNITION ASSY 4ST TRIAL	INCENDIDO 4T TRIAL
4	???			KIT
5	M669	CLAVETTE VILO/DIST 19D 4T TRIAL	WOODRUFF KEY	CHAVETA 4X15 DIN 6885 FE
6	M023	CLAVETTE DEMI LUNE VILO	WOODRUFF KEY	CHAVETA ENCENDIDO
7	M032	JOINT LEVRE VILO 25X40X7DL	CRANKSAFT SEAL 25X40X7DL	RETEN CIGUENAL 25X40X7DL
8	M028	ROULEMENT BILLE VILO 6206.TN9/C3	CRANKSHAFT BEARING 6206.TN9 C3C3	COJINETE CIGUENAL 6206.TN9 C3
9	M668	ROULEMENT VILO NJ 206 ECP 4T TRIAL	BEARING NJ 206 ECP	RODAMIENTO NJ 206 ECP TRIAL 4T
10	M665	JOINT LEVRE 25 X 40 X 5 4T TRIAL	OIL SEAL 25 X 40 X 5 4T TRIAL	RETEN 25 X 40 X 5 4T TRIAL

**16**

**Embrayage / Clutch / Embrague**

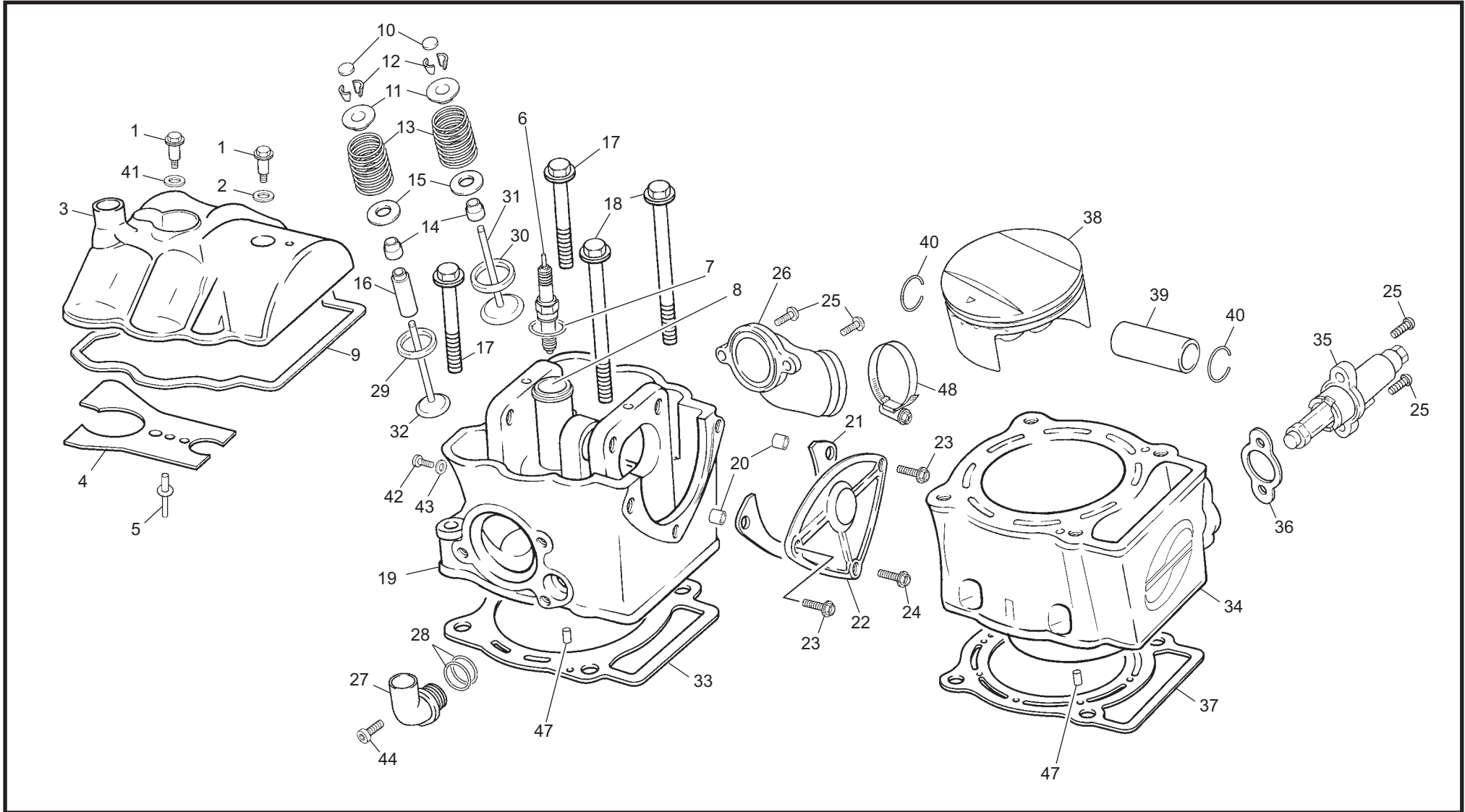


## Embrayage / Clutch / Embrague



POS.	3,2 4T	FRANÇAIS	ENGLISH	ESPAÑOL
1	M080	DISQUE GARNI	FRICITION CLUTCH DISK	DISCO EMBRAGUE FORRADO
2	M081	DISQUE LISE	METAL CLUTCH DISK	DISCO EMBRAGUE METÁLICO
3	M083	NOYAU	CLUTCH HUB	CUBO EMBRAGUE
4	M084	PLATEAU	CLUTCH PRESSURE PLATE	PLATO EMBRAGUE
5	M085	POUSSOIR AXIAL	CLUTCH ACTUATOR	PULSADOR AXIAL
6	M087	RONDELLE BELLEVILLE 16,3x31,5x1,5	BELLEVILLE WASHER 16,3X31,5X1,5	ARANDELA FIJACIÓN 16,3X31,5X1,5
7	M090	BUTEE AIGUILLE EMB AXK1226A	CLUTCH BEARING	CASQ. AGUJAS EMBRAGUE AXK1226A
8	M091	RONDELLE BUTEE AS 12X26X1	THRUST WASHER 12X26X1	ARANDELA AS 12X26X1
9	M092	RESSORT EMB	CLUTCH SPRING	MUELLE EMBRAGUE
10	M093	RONDELLE EMB	CLUTCH SPRING WASHER	ARANDELA EMBRAGUE
11	M094	VIS EMB	CLUTCH SPRING SCREW	TORNILLOS MUELLE EMBRAGUE
12	M293	ECROU NOYAU EMB M16X125	HEX NUT CLUTCH M16X125	TUERCA CUBO EMBRAGUE
13	M201	ROUE PRIMAIRE	PRIMARY DRIVE CLUTCH PINON	RUEDA PRIMARIA
14	M203	DOUILLE ROUE PRIMAIRE	SPACER PRIMARY DRIVE	CASQUILLO RUEDA PRIMARIA
15	M205	CAGE A AIGUILLE 25x33x24	NEEDLE BEARING 25x33x24	JAULA AGUJAS 25X33X24
16	M208	RONDEILLE BUTEE R PRIM INA AS 2035	PRIMARY WASHER AS 2035	ARANDELA TOPE PRIMARIA INA AS 2035
17	M357	HOLDER CLOCHE	CLUTCH BASKET	CAMPANA EMBRAGUE
18	M359	RONDELLE	SHIM	PLATO REMACHES
19	M358	SILENT BLOCK	SILENT BLOCK	SILENTBLOCK
20	M270	RIVET 4X15	RIVET 4X15	REMACHE 4X15
21	M360	GROUPE CLOCHE	CLUTCH HUB BASKET ASSEMBLY	CONJUNTO CAMPANA
22	M295	ECROU 14 X 125	HEX NUT M14 X 125	TUERCA M14 X 125
23	M206	RONDELLE BELLEVILLE 14,2X28X1,5	SPRING WASHER	ARANDELA CONICA 14,2X28X1,5
24	M204	CLAVETTE PIGNON PRIMAIRE	WOODRUFF KEY PRIMARY DRIVE	CHAVETA PIÑÓN PRIMARIA
25	M200	PIGNON PRIMAIRE	PRIMARY DRIVE CRANK PINON	PIÑÓN PRIMARIO

**Culasse / Cylinder head / Culata**

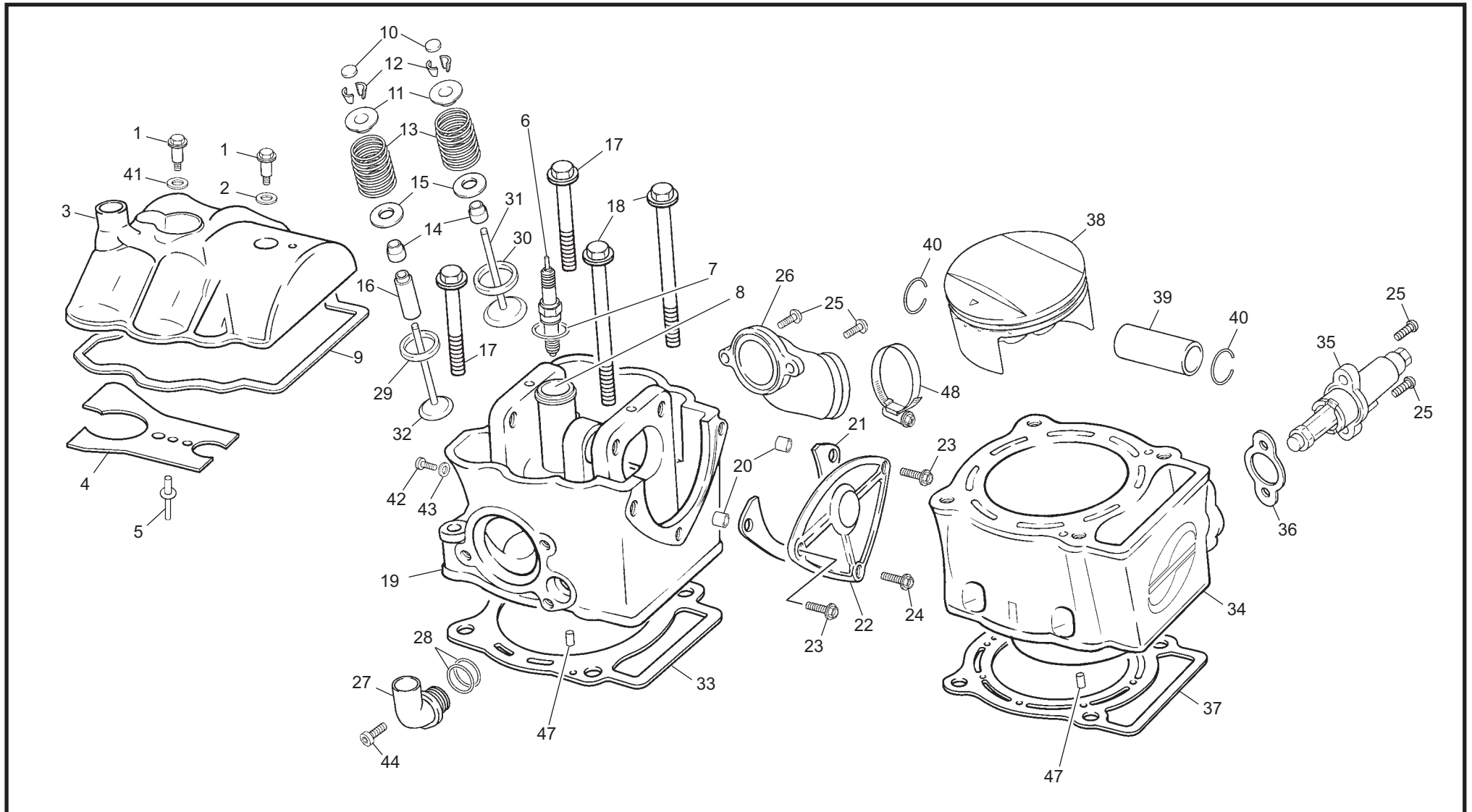




## Culasse / Cylinder head / Culata

POS.	3,2 4T	FRANÇAIS	ENGLISH	ESPAÑOL
1	M674	VIS COUVERCLE SUPERIEUR 4T TRIAL	SCREW	TORNILLO TAPA SUPERIOR
2	M675	JOINT TORIQUE 7 X 1,6 4T TRIAL	O RING 7 X 1,6	TÓRICA 7 X 1,6 4T TRIAL
3	M627	COUVERCLE CULASSE TRIAL	CILINDER HEAD COVER TRIAL	TAPA CULATA TRIAL
4	M628	TOLE REPARTITION HUILE TRIAL	TOLE REPARTITION HUILE TRIAL	CHAPA SOBRE BALANCIN TRIAL
5	M722	RIVET 4 X 6	RIVET 4 X 6	REMACHE 4 X 6
6	M673	BOUGIE BCPR6E 4T TRIAL	SPARK PLUG BCPR6E 4T TRIAL	BUJÍA BCPR6E TRIAL 4T
7	M672	TORIQUE 21,95 X 1,78 TUBE BOUGIE 4T TRIAL	O-RING 21,95 X 1,78 SPARK PLUG PIPE 4T TRIAL	TÓRICA 21,95 X 1,78 TUB O BUJIA 4T TRIAL
8	M629	SPARK PLUG TUB 4T TRIAL	SPARK PLUG TUB 4T TRIAL	TUBO BUJÍA
9	M630	JOINT COUVERCLE CULASSE TRIAL	CILINDER HEAD COVER GASKET TRIAL	JUNTA TAPA CULATA
10	M607	PASTILLE 1.8 REGLAGE SOUPAPE TRIAL	ADJUSTING VALVE PADS1.8TRIAL	PASTILLA 1.8 REGLAJE VÁLVULA TRIAL
10	M696	PASTILLE 1.40 REGLAGE SOUPAPE TRIAL	ADJUSTING VALVE PADS1.40 TRIAL	PASTILLA 1.40 REGLAJE VALVULA TRIAL
10	M697	PASTILLE 1.45 REGLAGE SOUPAPE TRIAL	ADJUSTING VALVE PAD1.45 TRIAL	PASTILLA 1.45 REGLAJE VALVULA TRIAL
10	M698	PASTILLE 1.50 REGLAGE SOUPAPE TRIAL	ADJUSTING VALVE PADS 1.50 TRIAL	PASTILLA 1.50 REGLAJE VALVULA TRIAL
10	M699	PASTILLE 1.55 REGLAGE SOUPAPE TRIAL	ADJUSTING VALVE PADS 1.55 TRIAL	PASTILLA 1.55 REGLAJE VALVULA TRIAL
10	M700	PASTILLE 1.60 REGLAGE SOUPAPE TRIAL	ADJUSTING VALVE PADS 1.60 TRIAL	PASTILLA 1.60 REGLAJE VALVULA TRIAL
10	M701	PASTILLE 1.65 REGLAGE SOUPAPE TRIAL	ADJUSTING VALVE PADS 1.65 TRIAL	PASTILLA 1.65 REGLAJE VALVULA TRIAL
10	M702	PASTILLE 1.7 REGLAGE SOUPAPE TRIAL	ADJUSTING VALVE PADS 1.70 TRIAL	PASTILLA 1.70 REGLAJE VALVULA TRIAL
10	M703	PASTILLE 1.75 REGLAGE SOUPAPE TRIAL	ADJUSTING VALVE PADS 1.75 TRIAL	PASTILLA 1.75 REGLAJE VALVULA TRIAL
10	M730	PASTILLE 1.23 REGLAGE SOUPAPE TRIAL	ADJUSTING VALVE PADS 1.23 TRIAL	PASTILLA 1.23 REGLAJE VALVULA TRIAL
10	M731	PASTILLE 1.25 REGLAGE SOUPAPE TRIAL	ADJUSTING VALVE PADS 1.25 TRIAL	PASTILLA 1.25 REGLAJE VALVULA TRIAL
10	M732	PASTILLE 1.28 REGLAGE SOUPAPE TRIAL	ADJUSTING VALVE PADS 1.28 TRIAL	PASTILLA 1.28 REGLAJE VALVULA TRIAL
10	M733	PASTILLE 1.30 REGLAGE SOUPAPE TRIAL	ADJUSTING VALVE PADS 1.30 TRIAL	PASTILLA 1.30 REGLAJE VALVULA TRIAL

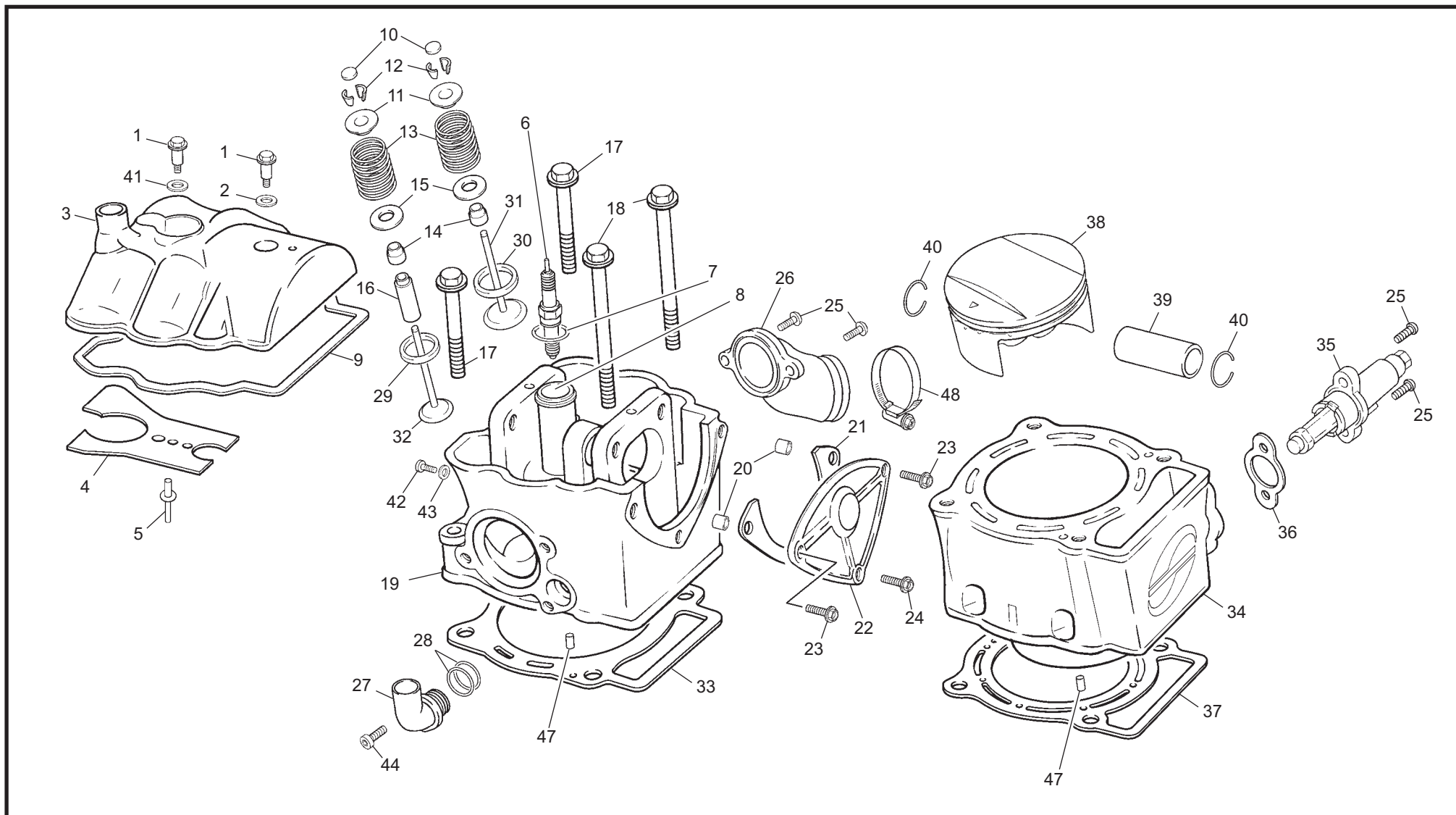
**Culasse / Cylinder head / Culata**



## Culasse / Cylinder head / Culata

POS.	3,2 4T	FRANÇAIS	ENGLISH	ESPAÑOL
10	M734	PASTILLE 1,33 REGLAGE SOUPAPE TRIAL	ADJUSTING VALVE PADS 1,33 TRIAL	PASTILLA 1,33 REGLAJE VALVULA TRIAL
10	M735	PASTILLE 1,35 REGLAGE SOUPAPE TRIAL	ADJUSTING VALVE PADS 1,35 TRIAL	PASTILLA 1,35 REGLAJE VALVULA TRIAL
11	M609	COUPELLE SOUPAPE TRIAL	VALVE SPRING CUP TRIAL	SOMBRERETE
12	M608	DEMICONE SOUPAPE TRIAL	HALF CONE VALVE TRIAL	CONO VÁLVULA
13	M602	RESSORT SOUPAPE TRIAL	SPRING VALVE TRIAL	MUELLE VÁLVULA
14	M611	JOINT SOUPAPE 4T TRIAL	VALVE SEAL 4T TRIAL	RETEN VÁLVULA
15	M671	RONDELLE INF RESSORT SOUPAPE 4T TRIAL	WASHER SPRING VALVE 4T TRIAL	ARANDELA MUELLE VÁLVULA
16	M610	GUIDE SOUPAPE	VALVE GUIDE	GUÍA VÁLVULA
17	M648	VIS SPECIALE M8 X 115	SPECIAL SCREW M8 X 115	TORNILLO ESPECIAL M8 X 115
18	M649	VIS SPECIALE M8 X 135	SPECIAL SCREW M8 X 135	TORNILLO ESPECIAL M8 X 135
19	M695	CULASSE SIMPLE	CILINDER HEAD	CULATA MECANIZADA
20	M022	DOUILLE CENTRAGE CARTER	DOUILLE CENTRAGE CARTER	CASQUILLO CENTRADOR CARTER
21	M624	JOINT COUVERCLE ARBRE CAM 0.5 mm	COVER SHAFT CAM GASKET 0.5 mm	JUNTA TAPA ÁRBOL LEVAS 0.5 mm
22	M621	COUVERCLE ARBRE CAM TRIAL	CAM SHAFT COVER TRIAL	TAPA ÁRBOL CAM TRIAL
23	M283	VIS BHC 6 X 16	SCREW BHC 6 X 16	TORNILLO 6 X 16 ULS
24	M282	VIS BHC 6 X 10	SCREW BHC 6 X 10	TORNILLO 6 X 10 ULS
25	M251	VIS CHC 6 X 16	SCREW CHC 6 X 16	TORNILLO 6 X 16 DIN 912
26	M652	PIPE ADMISSION 4T TRIAL	ADMISSION PIPE 4ST TRIAL	TUBERA ADMISIÓN
27	M650	TUBE SORTIE EAU 4T TRIAL	WATER EXIT TUB 4ST TRIAL	TUBO SALIDA AGUA
28	M651	JOINT 13,10 X 1,6 SORTIE EAU	WATER EXIT O SEAL 13,10 X 1,6	TÓRICA 13,105 X 1,6 TUBO SALIDA AGUA
29	M605	SIEGE SOUPAPE ADMISSION 4T TRIAL	SEAT VALVE SEAT INLET 4T TRIAL	ASIENTO VÁLVULA ADMISIÓN
30	M606	SIEGE SOUPAPE ECHAP 4T TRIAL	SEAT VALVE SEAT EXH 4T TRIAL	ASIENTO VÁLVULA ESCAPE

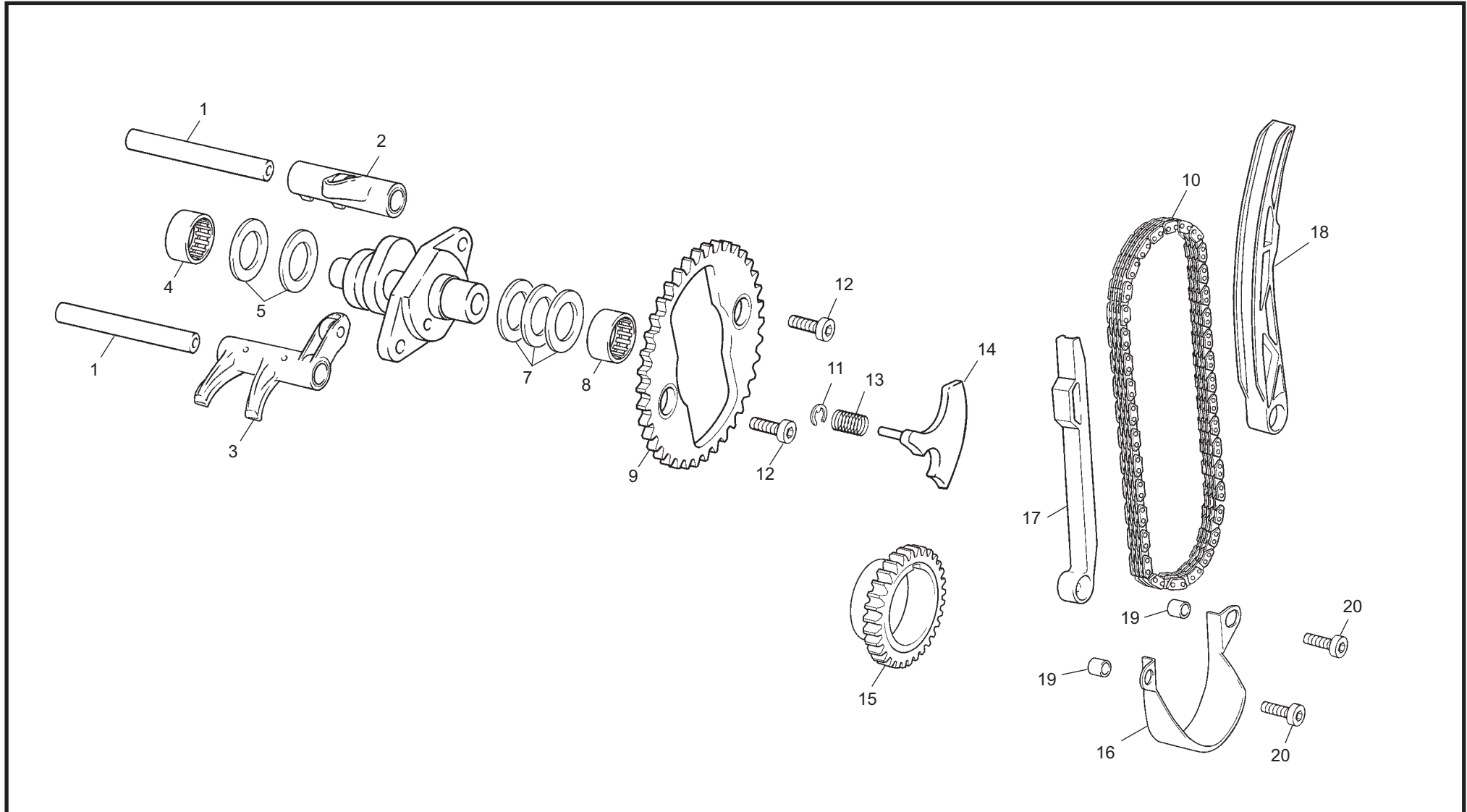
**Culasse / Cylinder head / Culata**



**Culasse / Cylinder head / Culata**

POS.	3,2 4T	FRANÇAIS	ENGLISH	ESPAÑOL
31	M603	SOUPAPE ADMISSION	INLET VALVE	VÁLVULA ADMISIÓN
32	M604	SOUPAPE ECHAPPEMENT TRIAL	EXHAUST VALVE TRIAL	VÁLVULA ESCAPE
33	M655	JOINT CULASSE 0.8 MM	CILINDER HEAD GASKET 0.8MM	JUNTA CULATA 0.8MM
34	M638	CYLINDRE	CILINDER	CILINDRO
35	0084	TENDEUR DE CHAINE AUTOMATIQUE END	CHAIN TENSIONER ENGIN END	TENSOR CADENA DISTR. AUTO.
36	0428	JOINT TENDEUR CHAINE END 450	TENSOR CHAIN GASKET END 450	JUNTA TENSOR CADENA
37	M654	JOINT EMBASE CYLINDRE 4T TRIAL 0,5MM	CILINDER GASKET 4T TRIAL 0,5MM	JUNTA BASE CILINDRO 0,5MM
38	M664	PISTON SEUL DIAM 82 4T TRIAL	PISTON DIAM 82 4T TRIAL	PISTÓN DIAM 82 4T TRIAL
39	M693	AXE PISTON	PISTON PIN	BULON PISTÓN
40	M694	CIRCLIP PISTON	CIRCLIP PISTON	CIRCLIP PISTÓN
41	Y155	RONDELLE 8X14X1 AW.	WASHER PLAIN 8X14X1 AM.	ARANDELA 8X14X1 AM.
42	M288	VIS CHC 5X6 1093	SCREW CHC 5X6	TORNILLO CHC 5X6
43	M277	RONDELLE ALU M5 0463 5X10	GASKET RING X5	ARANDELA COBRE X5
44	M278	VIS BHC 5 X10	SCREW BHC 5X10	TORNILLO 5 X 10 ULS
45	M279	VIS BHC 6X20	SCREW BHC 6X20	TORNILLO 6 X 20 ULS
46	M283	VIS BHC 6 X 16 1093	SCREW BHC 6 X 16	TORNILLO 6 X 16 ULS
47	0200	AIGUILLES DE CENTRAGE NR	PIN NBR 4X9,8 CRAN/CYL	AGUJA CENTRADO NRB 4X9,8 CART/CIL
48	C120	COLLIER NORMA 30/45	COLLARD NORMA 30/45	ABRAZADERA NORMA 30/45

**Distribution / Camshaft and drive assembly / Distribución**



**Distribution / Camshaft and drive assembly / Distribución**

POS.	3,2 4T	FRANÇAIS	ENGLISH	ESPAÑOL
1	M616	AXE CULBUTEUR TRIAL	ROCKER ARMS SPINDLE TRIAL	EJE BALANCÍN
2	M612	CULBUTEUR ADMISSION TRIAL	INLET ROCKER ARMS TRIAL	BALANCÍN ADMISIÓN
3	M613	CULBUTEUR ECHAPPEMENT TRIAL	EXHAUST ROKER ARMS TRIAL	BALANCÍN ESCAPE
4	M618	DOUIILE AIGUILLE NK1212	NEEDL BEARING NK1212	COJINETE AGUJAS NK 1212
5	M575	RONDELLE CALAGE PS 14X20X0.5 DIN 988	WASHER CALAGE PS 14X20X0,5 DIN 988	ARANDELA DE AJUSTE 14X20X0,5 DIN 988
6	M617	ARBRE A CAM TRIAL	CAM SHAFT TRIAL	ÁRBOL LEVAS
7	M576	RONDELLE CALAGE PS 12X18X0.5 DIN 988	WASHER CALAGE PS 12X18X0.5 DIN 988	ARANDELA DE AJUSTE 12X18X0,5 DIN 988
8	M619	DOUILLE AIGUILLE RNA 4900	NEEDL BEARING RNA 4900	COJINETE AGUJAS RNA 4900
9	M632	PIGNON ARBRE CAM 32D TRIAL	CAM SHAFT PINION 32T TRIAL	PIÑÓN ÁRBOL DE LEVAS
10	M631	CHAINE DISTRIB TRIAL	CHAIN CAM SHAFT TRIAL	CADENA DISTRIBUCIÓN
11	M626	CIRCLIP E5 DIN 6799 DE DECOMPRESSEUR	CIRCLIP DE DECOMPRESSEUR DIN 6799 E5	CIRCLIP E5 DIN 6799 DESCOMPRESOR
12	M712	VIS CHC M6X8 DIN 912 12,9	SCREW CHC M6X8 DIN 912 12,9	TORNILLO M6X8 DIN 912 12,9
13	M622	RESSORT DECOMPRESSEUR TRIAL	DECOMPRESSOR SPRING TRIAL	MUELLE DESCOMPRESOR
14	M620	DECOMPRESSEUR AUTOMATIQUE TRIAL	DECOMPRESSOR AUTOMATIC TRIAL	DESCOMPRESOR
15	M633	PIGNON DIST/ VILO 16 D TRIAL	PIGNON DIST/ VILO 16 D TRIAL	PIÑÓN DISTRI. CIGÜEÑAL
16	M634	RECUPERATEUR HUILE CHAINE DIST TRIAL	RECUPERATEUR HUILE CHAINE DIST TRIAL	RECUPERADOR ACEITE
17	M635	GUIDE CHAINE DIST TRIAL	CAM STENSOR GUIDE CHAIN DIST TRIAL	GUÍA CADENA DIST.
18	M636	GUIDE TENDEUR CHAINE DIST TRIAL	TENSOR GUIDE CHAIN DIST TRIAL	GUÍA TENSOR CADENA DIST.
19	C930	DOUILLE GUIDE CHAINE DISTRIBUTION 4T TRIAL	DISTRIBUTION GUIDE CHAIN SPACER	CASQUILLO GUÍA CADENA DIST.
20	M283	VIS BHC 6 X 16 1093	SCREW BHC 6 X 16	TORNILLO 6 X 16 ULS



**SHERCO**  
Motorcycles

ALBERT  
CABESTANY

2005 TRIAL WORLD CHAMPIONSHIP TEAM

SHERCO S.A.R.L.

<information@sherco-moto.com>

Fax : 0034 938 627 701

www.sherco-moto.com



FOUR STROKE

**4T**