

Spare part's book **2014**

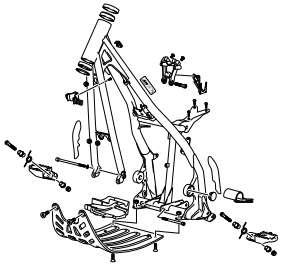
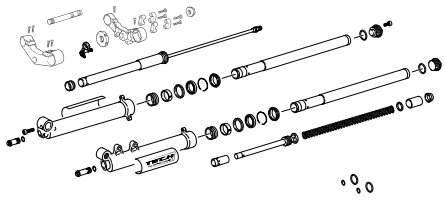
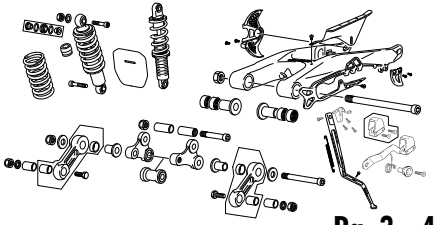
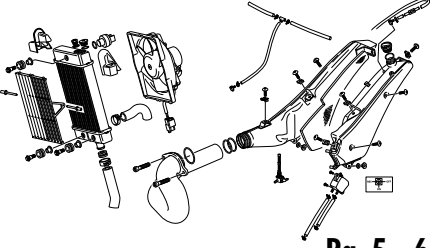
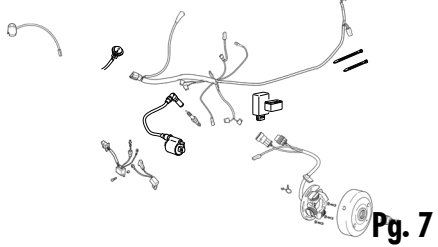
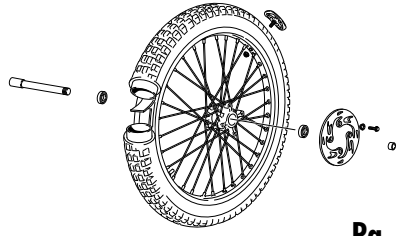
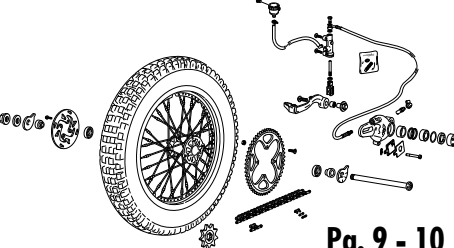
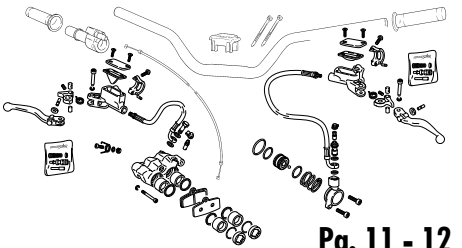
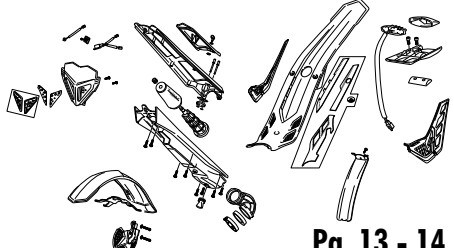

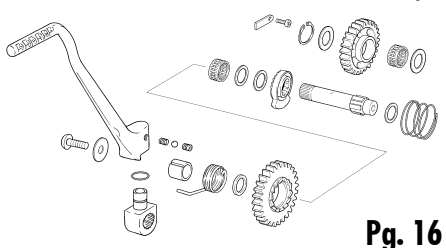
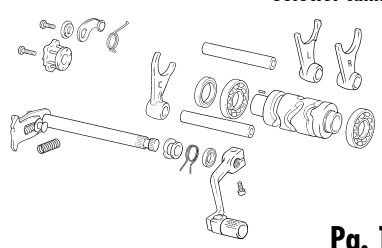
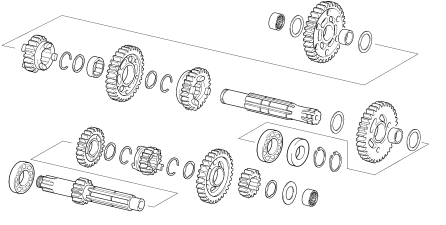
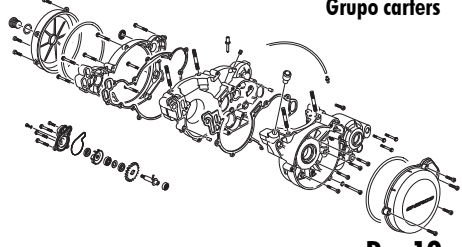
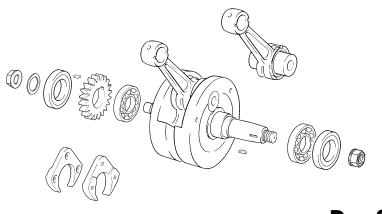
2T **Trial**

2.5 2.9 3.0



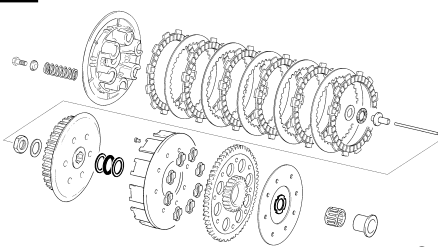
SHERCO
Motorcycles

Index / Index / Índice

| | | |
|--|---|---|
| <p>1 Cadre / Frame / Chasis</p>  <p>Pg. 1</p> | <p>2 Fourche / Fork / Horquilla</p>  <p>Pg. 2</p> | <p>3 Amortisseur - Bras oscillant / Rear Shock - Swingarm / Amortiguador - Basculante</p>  <p>Pg. 3 - 4</p> |
| <p>4 Radiateur / Radiator / Radiador</p>  <p>Pg. 5 - 6</p> | <p>5 Faisceau électrique / Electrical system / Instalación eléctrica</p>  <p>Pg. 7</p> | <p>6 Roue avant / Front wheel / Rueda delantera</p>  <p>Pg. 8</p> |
| <p>7 Roue arriere / Rear wheel / Rueda trasera</p>  <p>Pg. 9 - 10</p> | <p>8 Guidon / Handlebar / Manillar</p>  <p>Pg. 11 - 12</p> | <p>9 Plastiques / Plastics / Plásticos</p>  <p>Pg. 13 - 14</p> |
| <p>10 Adhesif / Stiker / Adhesivos</p>  <p>Pg. 15</p> | <p>11 Lanceur / Kickstarter assembly / Pedal arranque</p>  <p>Pg. 16</p> | <p>12 Selecteur / Gear selector group / Selector cambio</p>  <p>Pg. 17</p> |
| <p>13 Boite a vitesses / Gear set / Cambio</p>  <p>Pg. 18</p> | <p>14 Groupe carters / Crankcase assembly / Grupo carters</p>  <p>Pg. 19</p> | <p>15 Villebrequin assemble / Crankshaft assembly / Cigüeñal biela</p>  <p>Pg. 20</p> |

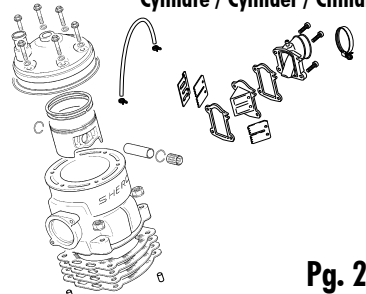
Index / Index / Índice

16 **Embrayage / Clutch / Embrague**



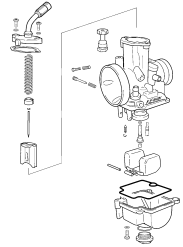
Pg. 21

17 **Cylindre / Cylinder / Cilindro**



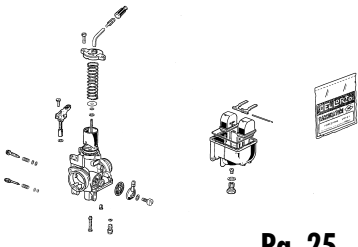
Pg. 22

18 **Carburateur / Carburetor / Carburador KEIHIN**



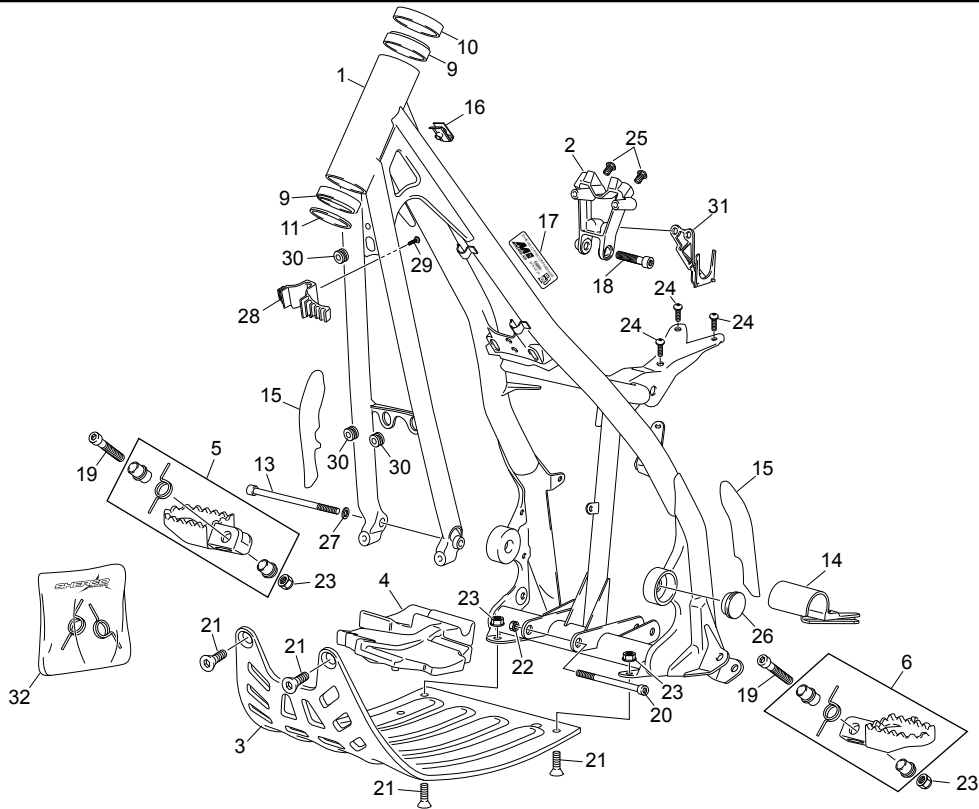
Pg. 23 - 24

19 **Carburateur / Carburetor / Carburador Ø26**



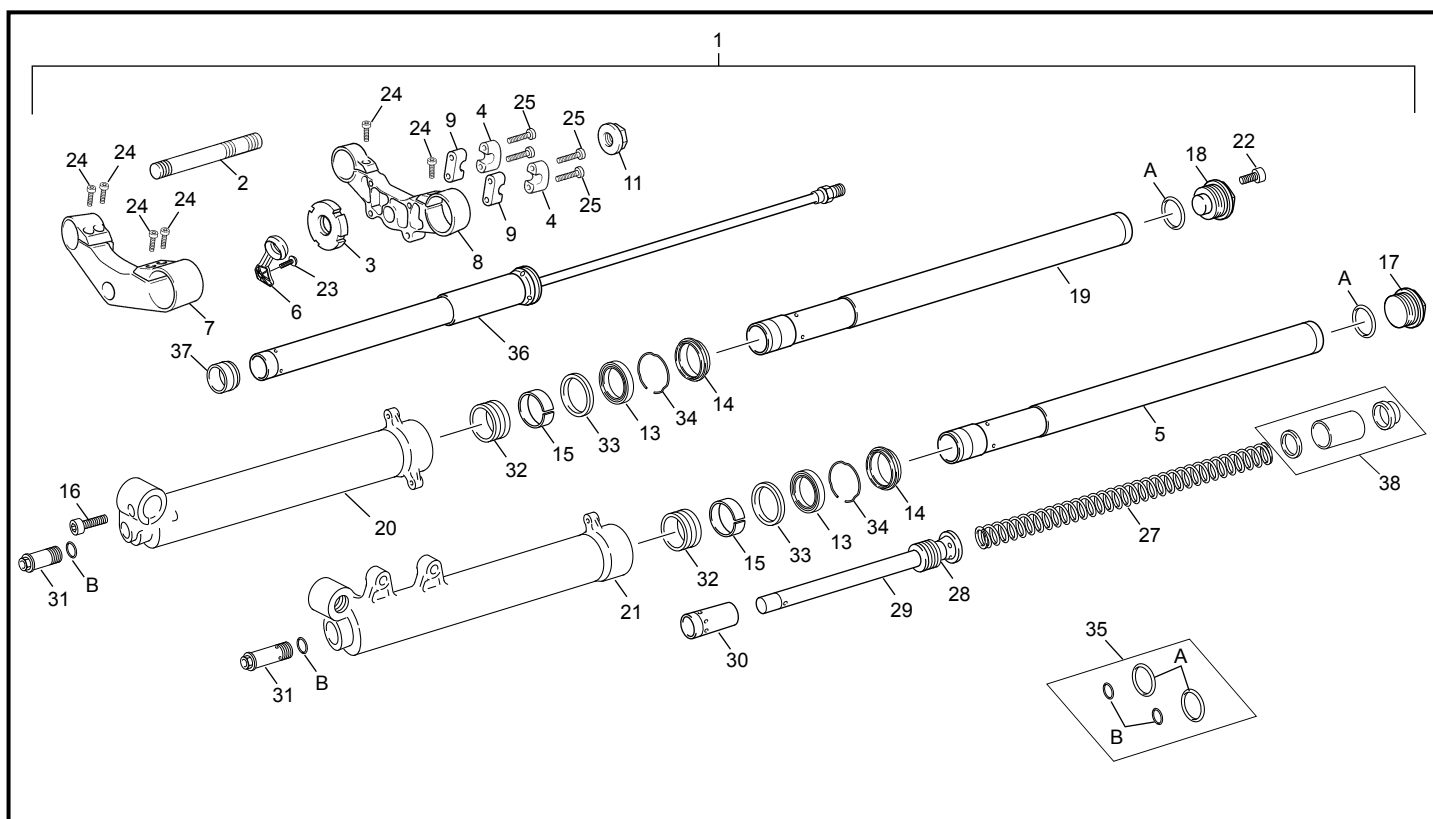
Pg. 25 - 26

Cadre / Frame / Chasis



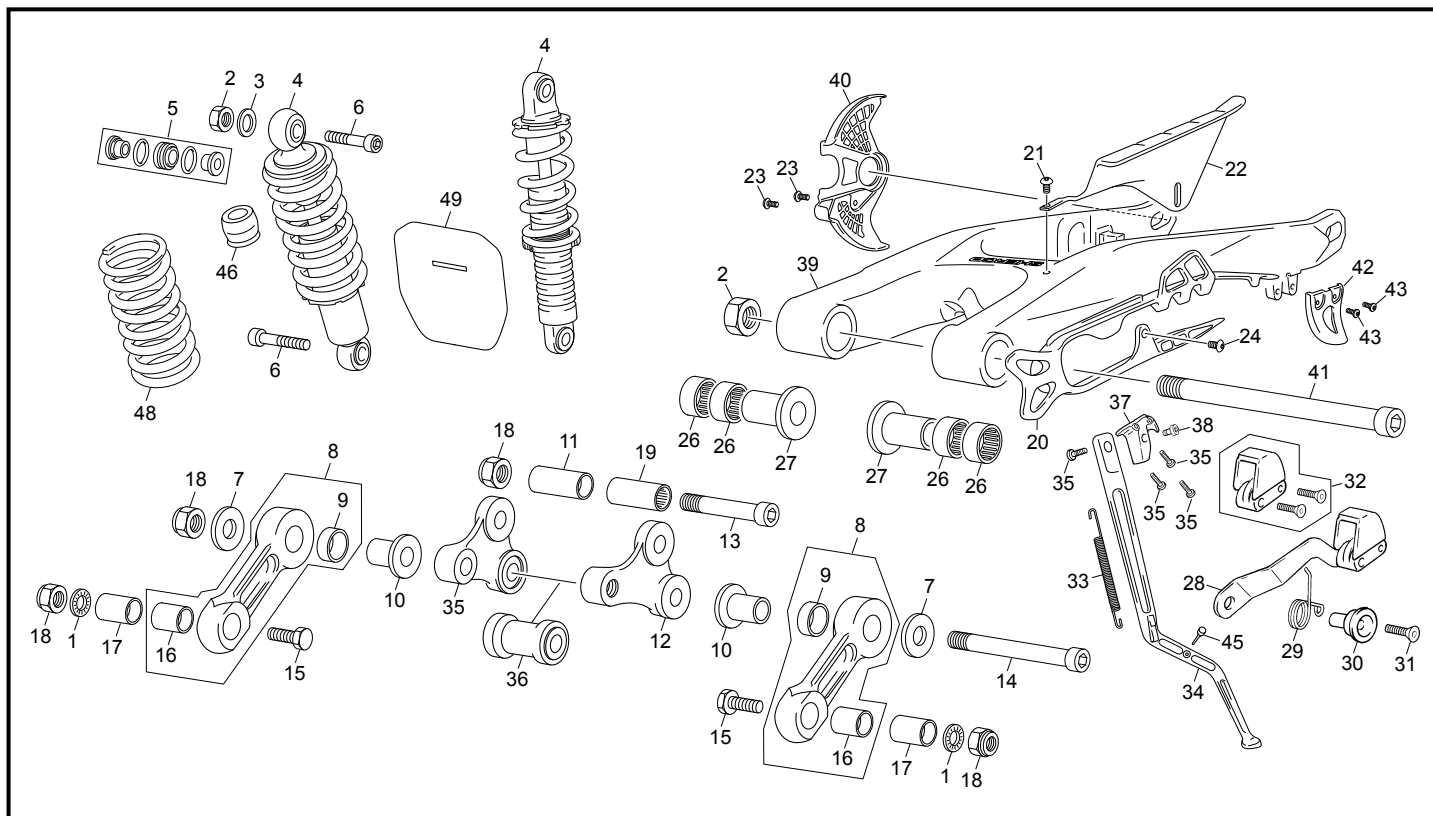
| POS. | 2.5 | 2.9 | 3.0 | FRANÇAIS | ENGLISH | ESPAÑOL |
|------|------|------|------|--------------------------------------|-----------------------------------|--------------------------------------|
| 1 | 4545 | 4545 | 4545 | CADRE TRIAL 2T JAUNE | FRAMETRIAL 2T YELLOW | CHASIS TRIAL 2T AMARILLO |
| 2 | 4549 | 4549 | 4549 | PATE FIXATION CYLINDRE 2.5/2.9 NOIRE | CLINDER SUPPORT 2.5/2.9 BLACK | TIRANTE CILINDRO 2.5/2.9 NEGRO |
| 3 | 2300 | 3583 | 3583 | SABOT 2010 | BASH PLATE 2010 | PROTECTOR CARTERS MOTOR 2010 |
| 4 | 2327 | 3582 | 3582 | CAOUTCHOUC MOTEUR 2011 | BASH PLATE RUBBER 2011 | CAUCHO PLACA MOTOR 2011 |
| 5 | 4547 | 4547 | 4547 | REPOSE PIED DROITE TR NOIRE COMP. | RIGHT FOOTPEG TR BLACK COMP. | ESTRIBERA DERECHA TR NEGRA COMP. |
| 6 | 4548 | 4548 | 4548 | REPOSE PIED GAUCHE TR NOIRE COMP. | LEFT FOOTPEG TR BLACK COMP. | ESTRIBERA IZQUIERDA TR NEGRA COMP. |
| 9 | C009 | C009 | C009 | ROULEMENT COLONNE DIRECTION R32004 | STEERING BEARING R32004 | RODAMIENTO DIRECCIÓN R32004 |
| 10 | C010 | C010 | C010 | BAGUE DE PROTECTION HAUTE PLASTIC | PLASTIC DUST COVER | GUARDA POLVO SUPERIOR PLASTIC |
| 11 | C011 | C011 | C011 | BAGUE DE PROTECTION BASSE | FORK ALUMINIUM WHASHER | ARANDELA GUARDA POLVO INF |
| 13 | C172 | C172 | C172 | AXE 10 X 20 | PIN 10 X 120 | EJE 10 X 120 |
| 14 | C013 | C013 | C013 | PATÍN CHAINE CADRE | SWINGARM CHAIN PROTECTOR | PATÍN CADENA CHASIS |
| 15 | 4569 | 4569 | 4569 | ADHESIF PROTEC CADRE JEU TR 13 | FRAME PROTECTOR STICKER KIT TR 13 | ADESIVO PROTECTOR CHASIS JUEGO TR 13 |
| 16 | M308 | M308 | M308 | ECROU CLIP M6 0500500400 | NUT CLIP M6 | TUERCA CLIP M6 |
| 17 | C393 | C393 | C393 | ADHESIF MINERVA S/PLOMB 98 | PETROL MINERVA STICKER 98 | ADHESIVO MINERVA S/PLOMO 98 |
| 18 | M263 | M263 | M263 | VIS CHC 8 X 40 0084 | SCREW CHC 8 X 40 | TORNILLO 8 X 40 ALLEN |
| 19 | M264 | M264 | M264 | VIS CHC 8 X 45 0084 | SCREW CHC 8 X 45 | TORNILLO 8 X 45 ALLEN |
| 20 | M396 | M396 | M396 | VIS CHC M10 X 80 | SCREW CHC M10 X 80 | TORNILLO CHC M10 X 80 |
| 21 | M301 | M301 | M301 | VIS FHC 8 X 20 1089 | SCREW FHC 8 X 20 | TORNILLO AVELLANADO M 8 X 20 |
| 22 | M304 | M304 | M304 | ECROU NYLSTOP M10 0368.10 | NUT NYLSTOP M10 | TUERCA NYLSTOP M10 |
| 23 | M305 | M305 | M305 | ECROU NYLSTOP M8 0368.8 | NUT NYLSTOP M8 | TUERCA NYLSTOP M8 |
| 24 | M345 | M345 | M345 | VIS BHC 6 X 12 CARROSSERIE | SCREW BHC 6 X 12 BODY | TORNILLO BHC 6 X 12 CARROCEÍA |
| 25 | M282 | M282 | M282 | VIS BHC 6 X 10 1093 | SCREW BHC 6 X 10 | TORNILLO 6 X 10 BHC |
| 26 | C165 | C165 | C165 | BOUCHON AXE BRAS OSCILLANT DIAM 35 | COVER SWING ARM AXLE DIAM 35 | TAPÓN EJE BASCULANTE DIAM 35 |
| 27 | 3021 | 3021 | 3021 | RONDELE M10 BL DIN 7980 | WASHER M10 BL DIN 7980 | ARANDELA M10 BL DIN 7980 |
| 28 | 3156 | 3156 | 3156 | BUTEE DIRECTION TR 11 | STOP FRAME TR 11 | TOPE DIRECCIÓN TR 11 |
| 29 | M278 | M278 | M278 | VIS BHC 5 X 10 1093 | SCREW BHC 5 X 10 | TORNILLO 5 X 10 ULS |
| 30 | C118 | C118 | C118 | SILENT BLOC RADIATEUR | SILENT-BLOC RADIATOR | SILENT-BLOC RADIADOR |
| 31 | 3585 | 3585 | 3585 | SUPPORT CDI HI TRIAL | HOLDER CDI HI TRIAL | SOPORTE CDI HI TRIAL |
| 32 | 4872 | 4872 | 4872 | RESSORTS REPOSE PIEDS TRIAL JEU | FOOTPEG SPRINGS KIT | MUELLES ESTRIBERAS JUEGO |

Fourche / Fork / Horquilla



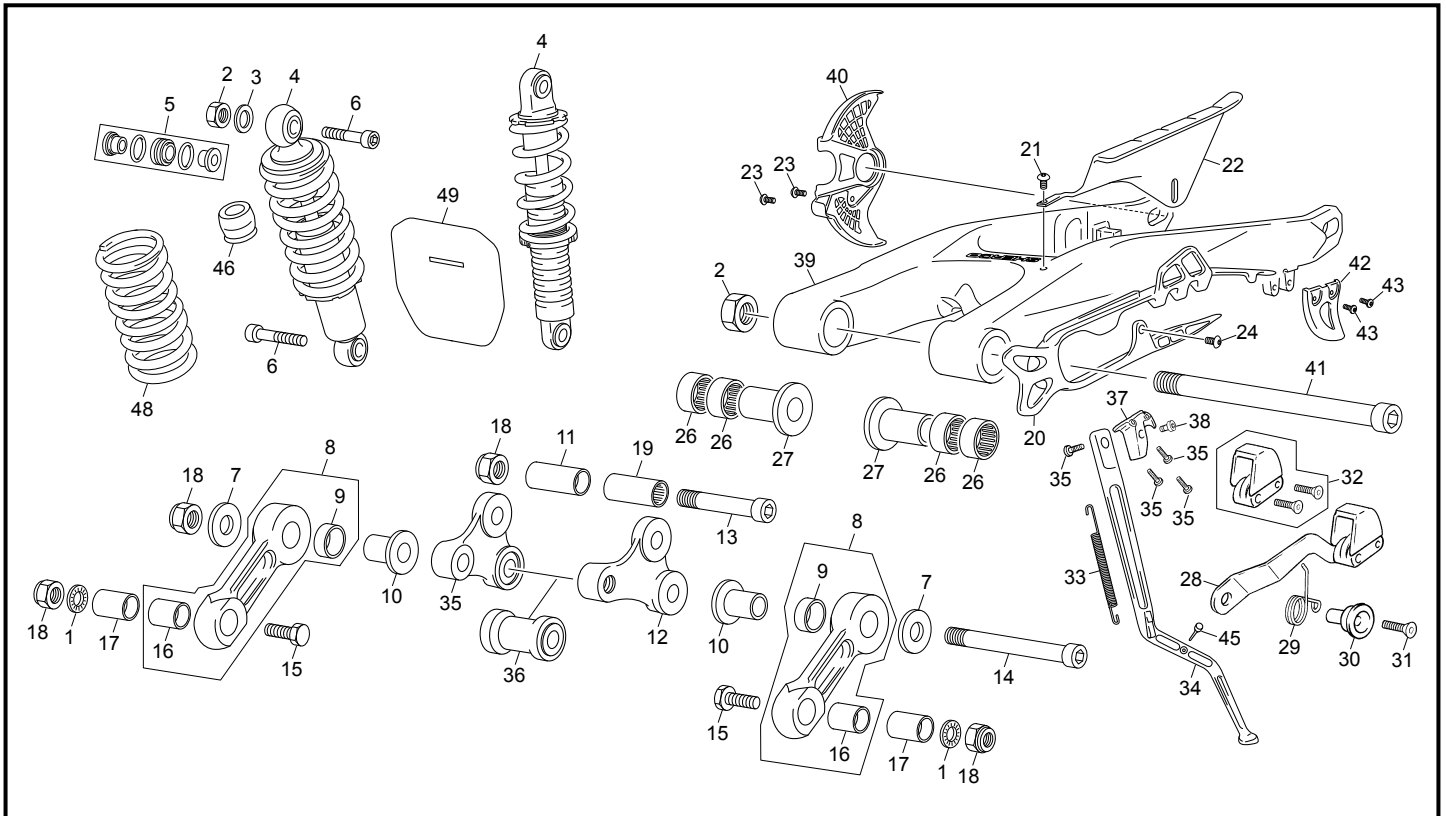
| POS. | 2.5 | 2.9 | 3.0 | FRANÇAIS | ENGLISH | ESPAÑOL |
|------|------|------|------|--|-------------------------------------|---------------------------------------|
| 1 | 3379 | 3379 | 3379 | GRUPE JAMBES TS CPL TRIAL | GROUP I SWEEP TS CPL TRIAL | GRUPO BARRAS TS CPL TRIAL |
| 2 | 1166 | 1166 | 1166 | AXE ALUMINIUM | AXIS ALUMINIUM | EJE ALUMINIO |
| 3 | 1170 | 1170 | 1170 | RONDELLE ECROU ALU AXE DIRECTION 07 | TOP TRIPLE CLAMP ALUMINIUM NUT 07 | TUERCA FIJACIÓN ALU 07 |
| 4 | 4554 | 4554 | 4554 | BRIDE GUIDON SUPERIEURE TITANIUM TS 39 | BRIDE SUP HANDLE BAR TITANIUM TS 39 | BRIDA SUPERIOR MANILLAR TITANIO TS 39 |
| 5 | 4256 | 4256 | 4256 | GRUPE TUBE FOURCHE GAUCHE TS | GROUP STANGHON TUBE LEFT TS | GRUPO TUBO HORQUILLA IZQUIERDA TS |
| 6 | 2359 | 2359 | 2359 | GUIDE DURITE FREIN AV 2010 | GUIDE FRONT BRAKE HOSE 2010 | GUÍA LATIGUILLO FRENO DEL 2010 |
| 7 | 4557 | 4557 | 4557 | T FOURCHE INF TITANIUM TS 39 | BOTTOM PLAT FORK TITANIUM TS 39 | PLATINA INF HORQUILLA TITANIO TS 39 |
| 8 | 4556 | 4556 | 4556 | T FOURCHE SUP TITANIUM TS 39 | UPPER PLAT FORK TITANIUM TS 39 | PLATINA SUP HORQUILLA TITANIO TS 39 |
| 9 | 4555 | 4555 | 4555 | BRIDE GUIDON INFERIEURE TITANIUM TS 39 | BRIDE INF HANDLEBAR TITANIUM TS 39 | BRIDA INFERIOR MANILLAR TITANIO TS 39 |
| 11 | R108 | R108 | R108 | ECROU ALU AXE FOURCHE 2000 949125051 | ALUMINIUM NUT FOR FRONT FORK AXLE | TUERCA EJE 2000 |
| 13 | 3662 | 3662 | 3662 | JOINT SPIE DE FOURCHE TS | FORK OIL SEAL TS | RETÉN SUSPENSIÓN DEL TS |
| 14 | 3661 | 3661 | 3661 | PARE POUSSIERE FOURCHE TS | O-RING FORK TS | GUARDA POLVO HORQUILLA TS |
| 15 | 3663 | 3663 | 3663 | DU TUBE FOURCHE TS | DU FRICTION TUB TS | DU TUBO TS |
| 16 | 3673 | 3673 | 3673 | VIS THC M8X18 DIN 7984 | SCREW M8X18 DIN 7984 | TORNILLO M8X18 DIN 7984 |
| 17 | 3664 | 3664 | 3664 | BOUCHON FOURCHE GAUCHE TS | LEFT FORK PLUG TR TS | TAPÓN HORQUILLA IZQ TR TS |
| 18 | 3665 | 3665 | 3665 | BOUCHON FOURCHE DROITE TR TS | PLUG RIGHT FORK TR TS | TAPÓN DERECHO HORQUILLA TR TS |
| 19 | 3668 | 3668 | 3668 | GRUPE TUBE FOURCHE DROITE TS | GROUP STANGHON TUBE RIGHT TS | GRUPO TUBO HORQUILLA DERECHO TS |
| 20 | 3667 | 3667 | 3667 | JAMBE DROITE TS | RIGHT SIDE FORK TS | BOTELLA DER TS |
| 21 | 3666 | 3666 | 3666 | JAMBE GAUCHE TS | LEFT SIDE FORK TS | BOTELLA IZQ TS |
| 22 | 3674 | 3674 | 3674 | VIS BLOCCAGE POMPANTE HYDRAULIQUE | SCREW STOPER HYDRAULIC POMP | TORNILLO BLOCCAGE BOMBA HIDRÁULICA |
| 23 | M258 | M258 | M258 | VIS BHC 5 X 16 1093 | SCREW BHC 5 X 16 | TORNILLO 5 X 16 ULS |
| 24 | M261 | M261 | M261 | VIS CHC 8 X 20 0084 | SCREW CHC 8 X 20 | TORNILLO 8 X 20 ALLEN |
| 25 | 1237 | 1237 | 1237 | VIS CHC 8 X 55 0084 | SCREW CHC 8 X 55 | TORNILLO 8 X 55 ALLEN |
| 27 | 4411 | 4411 | 4411 | RESSORT DE FOURCHE TECH | FORK SPRING TECH | MUELLE HORQUILLA TECH |
| 28 | 4412 | 4412 | 4412 | SUPPORT ANEAU BUTEE RESSORT | SUPPORT RING FOR SPRING LIMIT | SOPORTE ANILLO TOPE MUELLE |
| 29 | 4413 | 4413 | 4413 | GRUPE POMPANTE TS | GROUP MECHANICAL POUMPING TS | GRUPO POMPANTE TS |
| 30 | 4417 | 4417 | 4417 | CONE BUTEE GAUCHE | CONE LIMIT LEFT | CONO TOPE IZQUIERDO |
| 31 | 4414 | 4414 | 4414 | GRUPE REGULATION AIGUILLE | NEEDLE REGULATION GROUP | GRUPO REGULACIÓN AGUJA |
| 32 | 4422 | 4422 | 4422 | DU 38X40X20 TS | BUSH DU 38X40X20 TS | DU 38X40X20 TS |
| 33 | 4421 | 4421 | 4421 | RONDELE TENUE ANEAU TS | RING STOP BUSHING OIL SEAL TS | ARANDELA RETENCIÓN ANILLO TS |
| 34 | 4420 | 4420 | 4420 | ANEAU JOINT SPIE TS | RING STOPPER OIL SEAL TS | ANILLO RETENCIÓN RETÉN TS |
| 35 | 4416 | 4416 | 4416 | JEU TORIQUES | GROUP RING SEALS | JUEGO JUNTAS |
| 36 | 4418 | 4418 | 4418 | GRUPE CARTOUCHE | GROUP CARTRIDGE | GRUPO CARTUCHO |
| 37 | 4419 | 4419 | 4419 | CONE BUTEE DROITE | CONE LIMIT RIGTH | CONO TOPE DERECHO |
| 38 | 4415 | 4415 | 4415 | RESSORT DE FOURCHE TECH | FORK SPRING TECH | MUELLE HORQUILLA TECH |

Amortisseur - Bras oscillant / Rear Shock - Swingarm / Amortiguador - Basculante



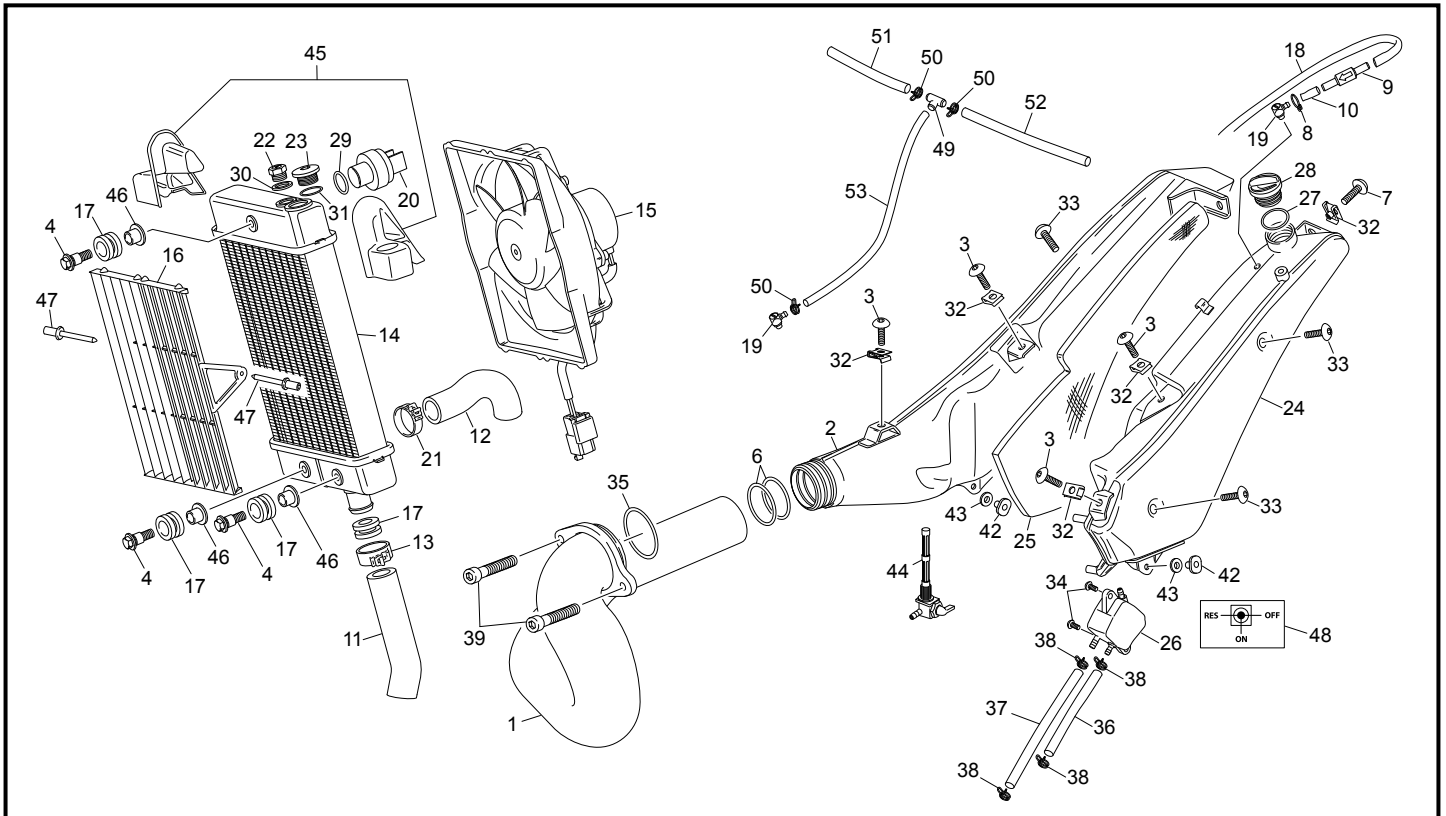
| POS. | 2.5 | 2.9 | 3.0 | FRANÇAIS | ENGLISH | ESPAÑOL |
|------|------|------|------|--|---------------------------------------|--|
| 1 | 1432 | 1432 | 1432 | RONDELLE AET 8 | WASHER X AET 8 | ARANDELA AET 8 |
| 2 | M310 | M310 | M310 | ECROU PLAT M14 X 150 0319 | NUT PLAT M14 X 150 | TUERCA REBAJADA M14 X 150 |
| 3 | M315 | M315 | M315 | RONDELLE X 10 1405 010 | WASHER X 10 | ARANDELA X 10 DIN 125 A |
| 4 | 2829 | 3610 | 3610 | AMORTISSEUR TRIAL 2010 | REAR SHORK TRIAL 2010 | AMOTIGUADOR TRIAL 2010 |
| 5 | 1685 | 1685 | 1685 | KIT ROTULE AMORTISSEUR 2008 | SHORK ROTULE SET 2008 | KIT RÓTULA AMORTIGUADOR 2008 |
| 6 | C173 | C173 | C173 | AXE 10 X 42 | PIN 10 X 42 | EJE 10 X 42 |
| 7 | M320 | M320 | M320 | RONDELLE 10 X 30 X 2.5 0416 | WASHER 10 X 30 X 2.5 | ARANDELA 10 X 30 X 2.5 DIN 9021 |
| 8 | 3447 | 3447 | 3447 | BIELETTE TIRANT SIMPLE VOIR 2947 | REAR SUSPENSION LINK SEE 2947 | BIELETA SUSPENSIÓN VER 2947 |
| 9 | 2945 | 2945 | 2945 | DOUILLE FRICTION 16X18X15 | BEARING FRICTION 16X18X15 | COJINETE FRICCIÓN 16X18X15 |
| 10 | C171 | C171 | C171 | ENTRETOISE TIRANT EPAULEE | LINK SPACER | CASQUILLO BIELETA CON ARANDELA |
| 11 | C152 | C152 | C152 | ENTRETOISE SUSPENSION | SPACER SUSPENSION | CASQUILLO SUSPENSIÓN |
| 12 | 3445 | 3445 | 3445 | BIELETTE DELTA TRIAL 2010 | REAR SUSPENSION DELTA LINK TRIAL 2010 | TRAPECIO SUSPENSIÓN TRIAL 2010 |
| 13 | C174 | C174 | C174 | AXE 10 X 72 | PIN 10 X 72 | EJE 10 X 72 |
| 14 | C172 | C172 | C172 | AXE 10 X 20 | PIN 10 X 20 | EJE 10 X 20 |
| 15 | C175 | C175 | C175 | VIS HEXA TETE BASSE | SPECIAL HEAD SCREW HEX | TORNILLO HEX C/REBAJADA |
| 16 | 2946 | 2946 | 2946 | DOUILLE FRICTION 14X16X15 | BEARING FRICTION 14X16X15 | COJINETE FRICCIÓN 14X16X15 |
| 17 | C170 | C170 | C170 | ENTRETOISE TIRANT | LINK SPACER | CASQUILLO BIELETA |
| 18 | M305 | M305 | M305 | ECROU NYLSTOP M8 0368.8 | NUT NYLSTOP M8 | TUERCA NYLSTOP M8 |
| 19 | C167 | C167 | C167 | DOILLER AIGUILLE BRAS/ SUSP HK 16X20X2RS | BEARING HK 16202RS | CASQUILLO AGUJAS BASCU/SUSP HK16202RS |
| 20 | 1207 | 1207 | 1207 | PATÍN DE CHAINE 07 TRIAL | CHAIN GUIDE PLATE 07 TRIAL | PATÍN CADENA 07 TRIAL |
| 21 | M258 | M258 | M258 | VIS BHC 5 X 16 1093 | SCREW BHC 5 X 16 | TORNILLO 5 X 16 ULS |
| 22 | 1208 | 1208 | 1208 | CARTER DE CHAINE 07 | CHAIN PROTECTOR 07 | CUBRE CADENAS 07 |
| 23 | M282 | M282 | M282 | VIS BHC 6 X 10 1093 | SCREW BHC 6 X 10 | TORNILLO 6 X 10 BHC |
| 24 | M278 | M278 | M278 | VIS BHC 5 X 10 1093 | SCREW BHC 5X10 | TORNILLO 5 X 10 ULS |
| 26 | C151 | C151 | C151 | DOUILLE AIGUILLE BRAS HK 20X20X2 RS | BEARING HK 20X20X2RS | CASQUILLO AGUJAS BASCULANTE HK20X20X2RS |
| 27 | C153 | C153 | C153 | ENTRETOISE ARTICULATION BRAS | SPACER SWING ARM | CASQUILLO EJE BASCULANTE |
| 28 | C164 | C164 | C164 | TENDEUR DE CHAINE | CHAIN TENSIONER | TENSOR CADENA |
| 29 | R205 | R205 | R205 | RESSORT TENDEUR DE CHAINE | SPRING CHAIN TENSIONER | MUELLE TENSOR CADENA |
| 30 | R206 | R206 | R206 | ENTRETOISE TENDEUR DE CHAINE | SPECER CHAIN ADJUST | CASQUILLO TENSOR CADENA |
| 31 | M300 | M300 | M300 | VIS FHC 8 X 35 1089 | SCREW FHC 8 X 35 | TORNILLO AVELLANADO M8 X 35 |
| 32 | R047 | R047 | R047 | CAOUTCHOUC TENDEUR SEUL | CHAIN STRETCHER PLATE | GOMA TENSOR CADENA |
| 33 | C161 | C161 | C161 | RESSORT DE BEQUILLE | SIDE STAND SPRING | MUELLE CABALLETE |
| 34 | 4559 | 4559 | 4559 | BEQUILLE SEULE ALU NOIR | LATERAL STAND BLACK | CABALLETE ALUMINIO NEGRO |
| 35 | 3444 | 3444 | 3444 | VIS BHC 8 X 12 1093 | SCREW BHC 8 X 12 | TORNILLO 8 X 12 ULS |
| 36 | 3446 | 3446 | 3446 | ENTRETOISE BIELETTE DELTA TRIAL 2012 | DELTA LINK SPACER TRIAL 2012 | CASQUILLO TRAPECIO SUSPENSIÓN TRIAL 2012 |

Amortisseur - Bras oscillant / Rear Shock - Swingarm / Amortiguador - Basculante



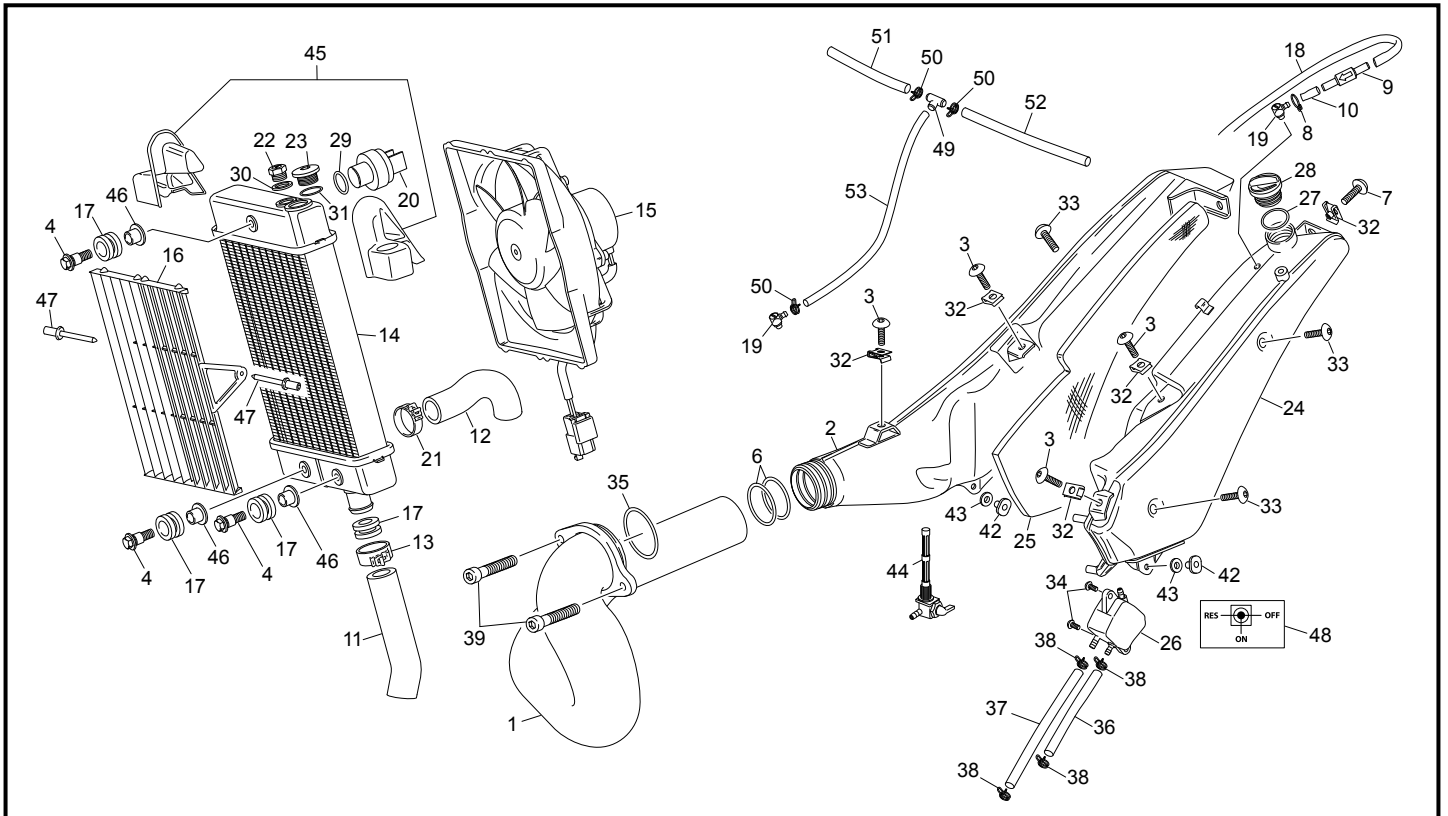
| POS. | 2.5 | 2.9 | 3.0 | FRANÇAIS | ENGLISH | ESPAÑOL |
|------|------|------|------|--|---|---------------------------------------|
| 37 | 4542 | 4542 | 4542 | SUPPORT DE BEQUILLE SANS BUTEE NOIR | STAND HOLDER WITHOUT RETAIN BLACK | SUPORTE CABALLETE SIN TOPE NEGRO |
| 38 | C166 | C166 | C166 | VIS SPECIALE BEQUILLE | SIDE STAND SPECIAL BOLT | TORNILLO ESPECIAL CABALLETE |
| 39 | 1093 | 1093 | 1093 | BRAS OSCILLANT 07 | SWINGARM 07 | BASCULANTE 07 |
| 40 | 2024 | 2024 | 2024 | PROTECTEUR DISC ARIERE 09 NOIR TR | PROTECTOR BRAKE DISC BACK 09 BLACK | PROTECTOR DISCO TRASERO NEGRO 09 |
| 41 | C154 | C154 | C154 | AXE BRAS OSCILLANT | ALUMINIUM SWINGARM AXLE | EJE BASCULANTE ALUMINIO |
| 42 | 2026 | 2026 | 2026 | PROTECTEUR COURRONE NOIR TR | PROTECTEUR SPROKET BLACK TR | PROTECTOR CORONA NEGRO TR |
| 43 | M278 | M278 | M278 | VIS BHC 5 X10 1093 | SCREW BHC 5X10 | TORNILLO 5 X 10 ULS |
| 45 | 1663 | 1663 | 1663 | CAUTCHOUX DE MAINTIEN DE BEQUILLE TRIAL 08 | STAND SIDE RUBER TRIAL 08 | GOMA CABALETE 08 |
| 46 | 1686 | 1686 | 1686 | BUTEEE CAOUTCHOUX AMORTISSEUR 08 | RUBBER TOP AMORTGUADOR 08 | GOMA TOPE AMORTGUADOR 08 |
| 48 | 3645 | 3645 | 3645 | RESSORT AMORTISSEUR TRIAL 8.3 Kg/m.m. | SPRING SHOCK ABSORVER TRIAL 8.3 Kg/m.m. | MUELLE AMORTIGUADOR TRIAL 8.3 Kg/m.m. |
| 49 | 3425 | 3425 | 3425 | BAVETTE AMORTISSEUR SSDT | SHOCK ABSORBER PROTECTOR SSDT | PROTECTOR AMORTIGUADOR SSDT |

Radiateur / Radiator / Radiador



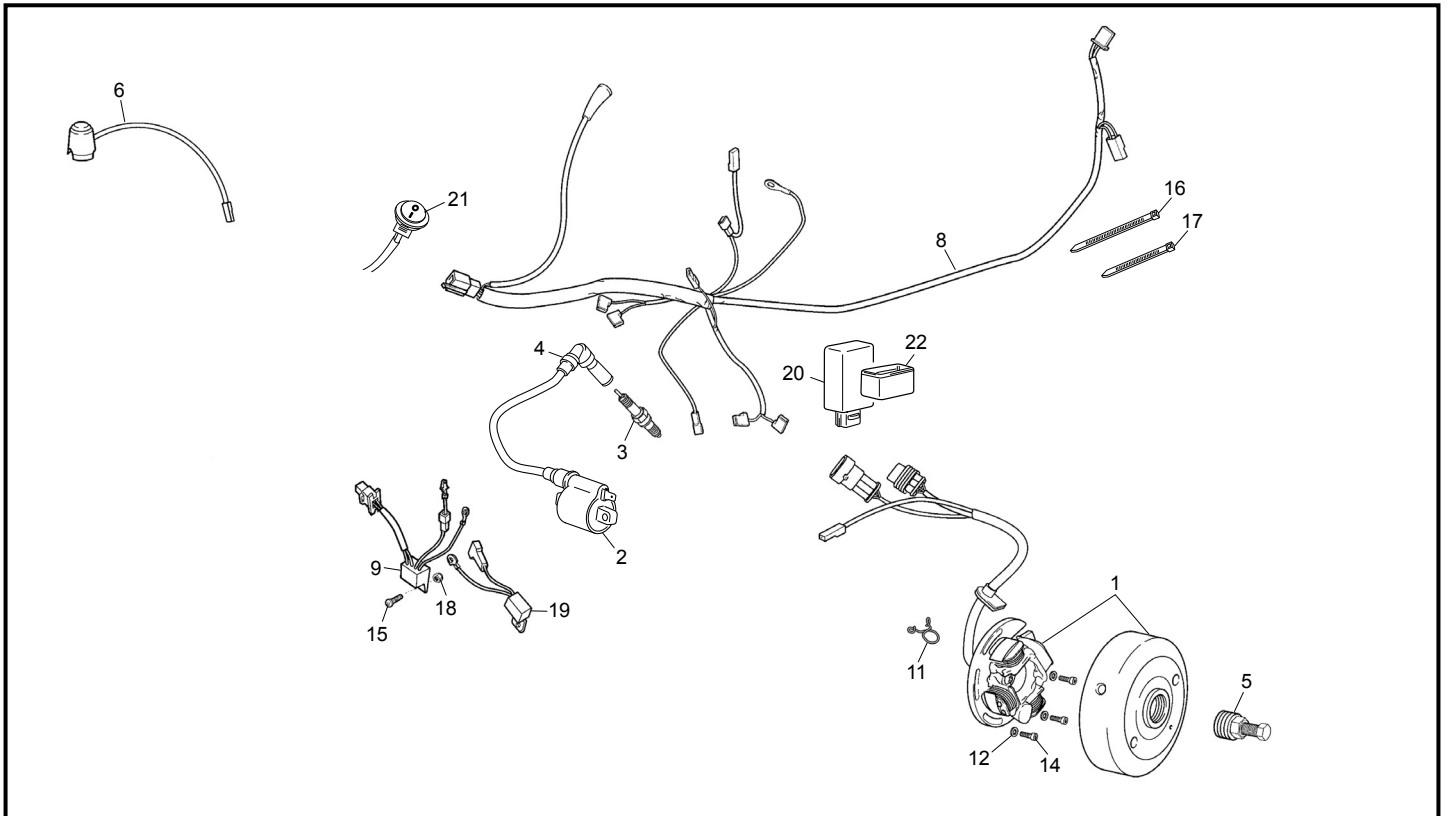
| POS. | 2.5 | 2.9 | 3.0 | FRANÇAIS | ENGLISH | ESPAÑOL |
|------|------|------|------|--|--|---|
| 1 | 4911 | 4911 | 4911 | TUBE ECHAPPEMENT 2011 | EXHAUST PIPE 2011 | CURVA DE ESCAPE 2011 |
| 2 | 4912 | 4912 | 4912 | POT CENTRAL ALU 2T 2010 | EXH CENTRAL ALU 2010 | SILENCIOSO CENTRAL ALU 2010 |
| 3 | M345 | M345 | M345 | VIS BHC 6 X 20 CARROSSERIE | SCREW BHC 6 X 20 BODY | TORNILLO BHC 6 X 20 CARROCEÍA |
| 4 | M269 | M269 | M269 | VIS 6X20 CARROSSERIE | SCREW 6X20 FRAME | TORNILLO 6X20 ESPECIAL CARROCEÍA |
| 6 | 4913 | 4913 | 4913 | JOINT TORIQUE POT CENTRAL 44 X 51 X 3,50 | O-RING MIDDLE SILENCER 44 X 51 X 3,50 | TÓRICA SILENCIADOR CENTRAL 44 X 51 X 3,50 |
| 7 | M269 | M269 | M269 | VIS BHC 6 X 20 CARROSSERIE | SCREW BHC 6 X 20 CARROSSERIE | TORNILLO 6 X 20 ESPECIAL CARROCEÍA |
| 8 | 2846 | 2846 | 2846 | COLLIER DURITE ESSENCE | COLLARD PETROL PIPE | ABRAZADERA TUBO GASOLINA |
| 9 | 2365 | 2365 | 2365 | GROUPE VALVE ANTI RETOUR ALU | ANTI RETURN VALVE GROUP ALU | GRUPO VÁLVULA ANTI RETORNO ALU |
| 10 | NEW | NEW | NEW | DURITE ESSENCE PETIT | SMALL PETROL HOSE | TUBO GASOLINA CORTO |
| 11 | 3432 | 3432 | 3432 | DURITE CARTER RADIATEUR TR 11 | RUBBER TUBE CRANKSHAFT/RADIATOR TR 11 | MANGUITO CARTER/RADIADOR TR 11 |
| 12 | 3140 | 3140 | 3140 | DURITE CULASSE RADIATEUR 2010 | RUBBER CILYNDER HEARD RADIATOR 2010 | MANGUITO CULATA/RADIADOR 2010 |
| 13 | C114 | C114 | C114 | COLLIER DE DURITE NORMA VIOLET 19 | COLLARD NORMA VIOLET 19 | ABRAZADERA MANGUITO VIOLA 19 |
| 14 | 3127 | 3127 | 3127 | RADIATEUR 2T 2011 | RADIATOR 2S 2011 | RADIADOR 2T 2011 |
| 15 | 1523 | 1523 | 1523 | VENTILATEUR COMEX 120 | FAN DIAM COMEX 120 | VENTILADOR COMEX 120 |
| 16 | 3773 | 3773 | 3773 | GRILLE RADIATEUR 06 | RADIATOR PROTECTOR 06 | REJILLA RADIADOR 06 |
| 17 | 4978 | 4978 | 4978 | SILENT BLOC RADIATEUR | SILENT-BLOC RADIATOR | SILENT-BLOC RADIADOR |
| 18 | NEW | NEW | NEW | DURITE ESSENCE LARGE | LONG PETROL HOSE | TUBO GASOLINA LARGO |
| 19 | 2274 | 2274 | 2274 | RACORD MISE A L'AIR TR 2010 | RACORD AIR INSIDE TR 2010 | RACORD ENTRADA AIRE TR 2010 |
| 20 | 2256 | 2256 | 2256 | THERMOCONTACT 2T 2010 75-68 | THERMOSTAT 2T 2010 75-68 | TERMOCONTACTO 2T 2010 75-68 |
| 21 | C114 | C114 | C114 | COLLIER DURITE NORMA VERT 21 | COLLARD NORMA GREEN 21 | ABRAZADERA MANGUITOS VERDE 21 |
| 22 | 4558 | 4558 | 4558 | BOUCHON RADIATEUR TRIAL NOIR | RADIATOR TAP TRIAL BLACK | TAPÓN RADIADOR TRIAL NEGRO |
| 23 | 2269 | 2269 | 2269 | VALVE PRESSION RADIATEUR | PRESSION VALVE RADIATOR | VÁLVULA PRESIÓN RADIADOR |
| 24 | 3609 | 3609 | 3609 | RESERVOIR TRIAL ALU 11 | PETROL TANK TRIAL ALU 11 | DEPÓSITO TRIAL ALU 11 |
| 25 | 2363 | 2363 | 2363 | PROTECTEUR TERMIQUE RESERVOIR TRIAL 2010 | THERMIC PROTECTOR SIDE TANK TRIAL 2010 | PROTECTOR TÉRMICO DEPÓSITO TRIAL 2010 |
| 26 | 2311 | 2311 | 2311 | POMPE A ESSENCE TRIAL | PETROL PUMP TRIAL | BOMBA DE GASOLINA TRIAL |
| 27 | 2320 | 2320 | 2320 | JOINT BOUCHON ESSENCE TRIAL 2010 | SEAL PETROL CAP TRIAL 2010 | JUNTA TAPÓN GASOLINA TRIAL 2010 |
| 28 | 2270 | 2270 | 2270 | BOUCHON ESSENCE 2010 | PETROL CAP 2010 | TAPÓN GASOLINA 2010 |
| 29 | M651 | M651 | M651 | JOINT 13.10 X 1.6 SORTIE EAU 4T TRIAL | WATER EXIT O SEAL 13.10 X 1.6 4T TRIAL | TÓRICA 13.105 X 1.6 TUBO SALIDA AGUA 4T TRIAL |
| 30 | 2860 | 2860 | 2860 | RONDELLE ALU 8X12X1 | WASHER ALU 8X12X1 | ARENDELA ALU 8X12X1 |
| 31 | M168 | M168 | M168 | TORIQUE 14 X18X2 | O RING 14X18X2 | TÓRICA 14X18X2 |
| 32 | M308 | M308 | M308 | ECROU CLIP M6 0500500400 | NUT CLIP M6 | TUERCA CLIP M6 |
| 33 | 2937 | 2937 | 2937 | VIS BHC 5 X8 ISO 7380 | SCREW BHC 5 X8 | TORNILLO UL5 X 8 ISO 7380 |

Radiateur / Radiator / Radiador



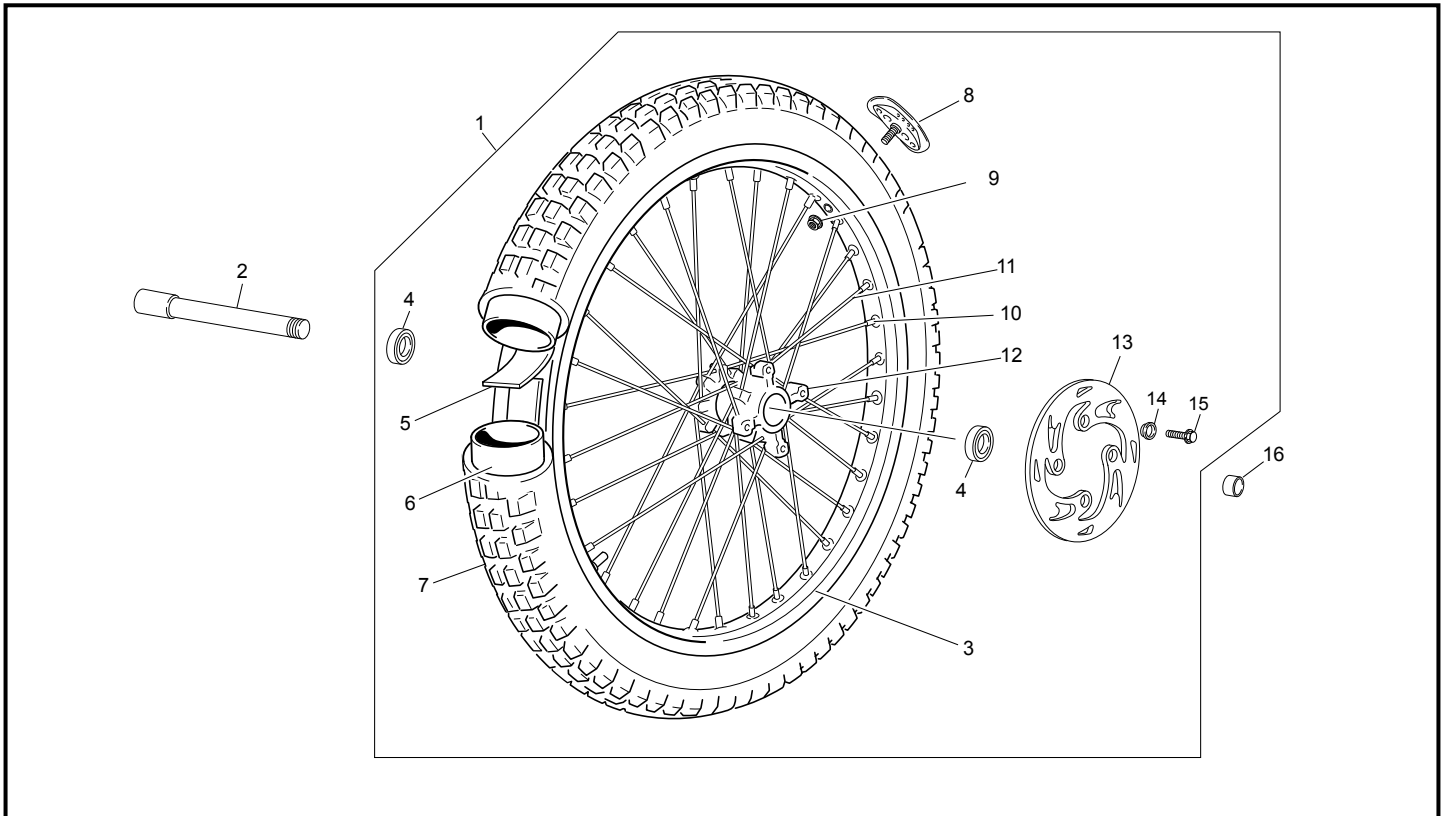
| POS. | 2.5 | 2.9 | 3.0 | FRANÇAIS | ENGLISH | ESPAÑOL |
|------|------|------|------|---------------------------------|----------------------------|-------------------------------|
| 34 | M258 | M258 | M258 | VIS BHC 5 X 16 1093 | SCREW BHC 5 X 16 | TORNILLO 5 X 16 ULS |
| 35 | C122 | C122 | C122 | JOINT CUIVRE 38X44X2.5 0462 | GASKET RING 38X44X2.5 | JUNTA COBRE 38X44X2.5 |
| 36 | NEW | NEW | NEW | DURITE ESSENCE PETIT | SMALL PETROL HOSE | TUBO GASOLINA CORTO |
| 37 | NEW | NEW | NEW | DURITE ESSENCE LARGE | LONG PETROL HOSE | TUBO GASOLINA LARGO |
| 38 | 2846 | 2846 | 2846 | COLLIER DURITE ESSENCE | COLLARD PETROL PIPE | ABRAZADERA TUBO GASOLINA |
| 39 | 2937 | 2937 | 2937 | VIS BHC 5 X8 ISO 7380 | SCREW BHC 5 X8 | TORNILLO ULS 5 X 8 ISO 7380 |
| 42 | 3193 | 3193 | 3193 | ENTRETOISE SILENTBLOCK | BUSH SILENTBLOCK | CASQUILLO SILENTBLOCK |
| 43 | 3194 | 3194 | 3194 | CAUCHOU C SILENTBLOCK | SILENTBLOCK RUBBER | CAUCHO SILENTBLOCK |
| 44 | 3638 | 3638 | 3638 | ROBINET ESSENCE 2012 | PETROL TAP 2012 | GRIFO GASOLINA 2012 |
| 45 | 3716 | 3716 | 3716 | PROTECTEUR HAUT RADIATEUR PAIRE | PROTECTOR TOP RADIATOR KIT | PROTECTOR ALTO RADIADOR JUEGO |
| 46 | 3952 | 3952 | 3952 | ENTRETOISE RADIATEUR | RADIATOR BRUSH | CASQUILLO RADIADOR |
| 47 | 3772 | 3772 | 3772 | RIVET 2.4X8 | RIVET POP 2.4X8 | REMACHE 2.4X8 |
| 48 | 3768 | 3768 | 3768 | ADHESIF ON - OFF - RES | STICKER ON - OFF - RES | ADHESIVO ON - OFF - RES |
| 49 | 4965 | 4965 | 4965 | BY PASS Y | BY PASS Y | BY PASS Y |
| 50 | 3340 | 3340 | 3340 | COLLIER DURITE ESSENCE 7.3 | COLLARD PETROL PIPE 7.3 | ABRAZADERA TUBO GASOLINA 7.3 |
| 51 | NEW | NEW | NEW | DURITE ESSENCE | PETROL HOSE | TUBO GASOLINA |
| 52 | NEW | NEW | NEW | DURITE ESSENCE | PETROL HOSE | TUBO GASOLINA |
| 53 | NEW | NEW | NEW | DURITE ESSENCE | PETROL HOSE | TUBO GASOLINA |

Faisceau électrique / Electrical system / Instalación eléctrica



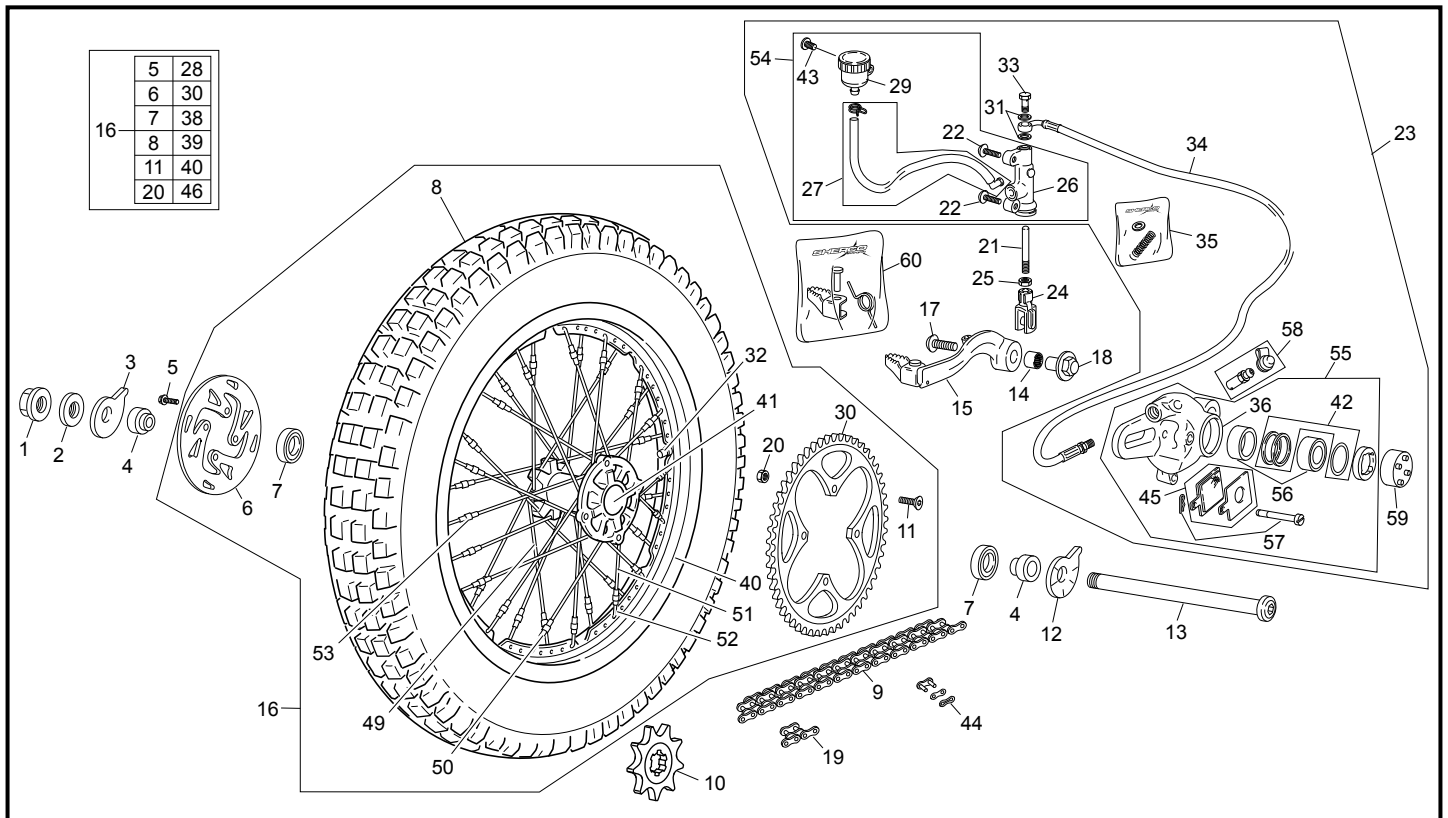
| POS. | 2.5 | 2.9 | 3.0 | FRANÇAIS | ENGLISH | ESPAÑOL |
|------|------|------|------|--|------------------------------------|--|
| 1 | 3579 | 3579 | 3579 | ALLUMAGE | IGNITION | ENCENDIDO |
| 2 | 3581 | 3581 | 3581 | BOBINE TRIAL | ELECTRONIC BOX | BOBINA AT |
| 3 | M183 | M183 | M183 | BOUGIE COMP | SPARK PLUG | BUJÍA COMP |
| 4 | M184 | M184 | M184 | ANTIPARASITE MTA RESISTIVE 5 OHMS | SPARK PLUG CAP MTA RESISTIF 5 OHMS | PIPA BUJÍA MTA RESISTIVA 5 OHMS |
| 5 | R075 | R075 | R075 | OUTIL EXTRACTEUR ROTOR ALLUMAGE | PULLER FOR FLYWHEEL | EXTRACTOR ENCENDIDO |
| 6 | 2972 | 2972 | 2972 | BOUTON STOP MOTEUR TRIAL D28 L 70,5 | STOP ENGINE TRIAL D28 L 70,5 | STOP MOTOR TRIAL D28 L 70,5 |
| 8 | 2820 | 2820 | 2820 | FAISCEAU ELECTRIQUE PRINCIPAL TRIAL 2010 | ELECTRIC CABLE | CABLE ELÉCTRICO |
| 9 | 1681 | 1681 | 1681 | DIODE REDRESSEUSE VENTILATEUR COMEX | DIODE COMEX | RECTIFICADOR VENTILADOR COMEX |
| 11 | M273 | M273 | M273 | CAVALIER | CAVALIER | BRIDA |
| 12 | M275 | M275 | M275 | RONDELLE X5 0407 5 | WASHER X5 | ARANDELA 5 DIN 125 A |
| 14 | M283 | M283 | M283 | VIS CHC 5X16 0084 | SCREW CHC 5X16 | TORNILLO 5X16 ALLEN |
| 15 | M306 | M306 | M306 | ECROU NYLSTOP M6 0368.6 | NUT NYLSTOP M6 | TUERCA NYLSTOP M6 |
| 16 | M330 | M330 | M330 | COLLIER RISLAN 178X4.8 | COLLIER 178X4.8 | ABRAZADERA 178X4.8 |
| 17 | M331 | M331 | M331 | COLLIER RISLAN 100X2.5 | COLLIER 100X2.5 | ABRAZADERA 100X2.5 |
| 18 | M274 | M274 | M274 | RONDELLE GROSVER X 6 DIN 6798J 0428 | WASHER GROSVER X 6 DIN 6798J 0428 | ARANDELA GROSVER X 6 DIN 6798J 0428 |
| 19 | M182 | M182 | M182 | REGULATEUR LEONELLI | REGULATOR | REGULADOR |
| 20 | 3580 | 3580 | 3580 | CDI MOTEUR TRIAL DOUBLE COURBE | CDI BOX ENGINE TRIAL DOUBLE CURBA | CDI DIGITAL REPROGR. TRIAL DOBLE CURVA |
| 21 | 5013 | 5013 | 5013 | MICROINTERRUPTEUR MAP | MICROINTERRUPTOR MAP | MICROINTERRUPUTOR MAP |
| 22 | 3586 | 3586 | 3586 | CAUTCHOUC SUPPORT CDI HI TRIAL | RUBBER CDI HI TRIAL | GOMA CDI HI TRIAL |

Roue avant / Front wheel / Rueda delantera



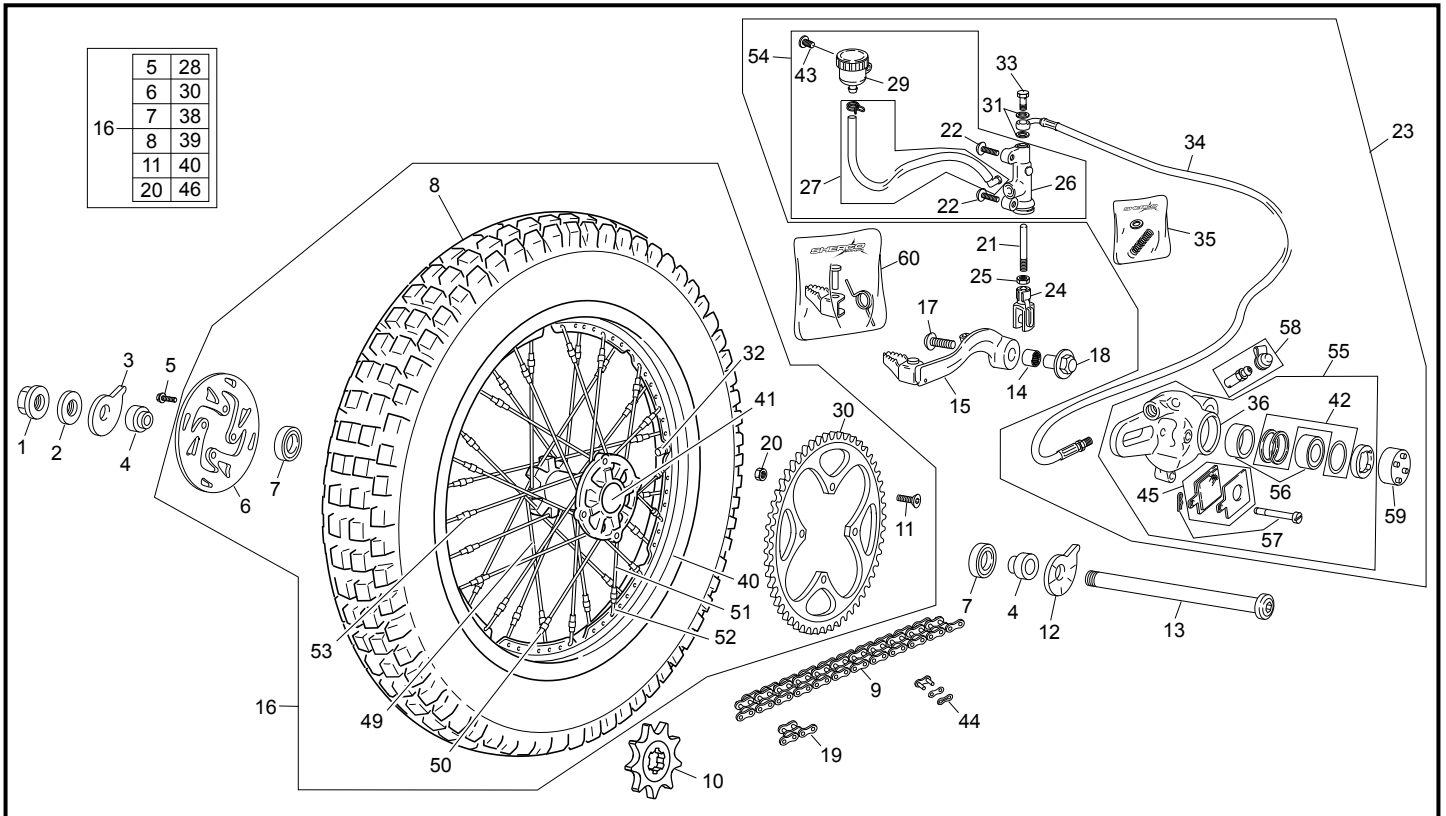
| POS. | 2.5 | 2.9 | 3.0 | FRANÇAIS | ENGLISH | ESPAÑOL |
|------|------|------|------|--|---------------------------------|--|
| 1 | 4550 | 4550 | 4550 | ROUE AVANT TR. TITANIUM SHERCO | FRONT WHEEL TR TITANIUM SHERCO | RUEDA DELANTERA TR TITANIO SHERCO |
| 2 | 4602 | 4602 | 4602 | AXE DE ROUE AVANT TS NOIR | FRONT WHEEL AXLE TS BLACK | EJE RUEDA DELANTERA TS NEGRO |
| 3 | 4644 | 4644 | 4644 | JANTE AVANT 1.60X21 32 RAYONS TITANIUM | FRONT RIM 1.60X21 32 R TITANIUM | LLANTA DELANTERA 1.60X21 32 RÁDIOS TITANIO |
| 4 | R049 | R049 | R049 | ROULEMENT DE MOYEU 6004 2RS | BEARING HUB 6004 2RS | RODAMIENTO BUJE 6004 2RS |
| 5 | C201 | C201 | C201 | RUBAN FOND DE JANTE R14025 | RIM RUBBER PROTECTION | GOMA PROTECCIÓN LLANTA |
| 6 | C202 | C202 | C202 | CHAMBRE A AIR 21AB | 21 TUBE | CÁMARA 21 |
| 7 | C204 | C204 | C204 | PNEU AVANT 275X21 | FRONT TIRE 2.75 X 21 | NEUMÁTICO DELANTERO 2.75 X 21 |
| 8 | C203 | C203 | C203 | GRISTER | TYRE STAY | AGARRACUBIERTAS |
| 9 | M305 | M305 | M305 | ECROU NYLSTOP M8 0368.8 | NUT NYLSTOP M8 | TUERCA NYLSTOP M8 |
| 10 | 3398 | 3398 | 3398 | ECROU DE RAYON AVANT M3.5X0.60 | FRONT NEEPLE SPOCKE M3.5X0.60 | TUERCA RÁDIO DELANTERO M3.5X0.60 |
| 11 | 3397 | 3397 | 3397 | RAYON 257 X 3 NEW NOIR | SPOCKE 257 X 3 NEW BLACK | RÁDIO 257 X 3 NUEVO NEGRO |
| 12 | 4552 | 4552 | 4552 | MOYEU AVANT JAUNE | FRONT HUB YELLOW | BUJE DELANTERO AMARILLO |
| 13 | 2001 | 2001 | 2001 | DISQUE FREIN AVANT 2009 TR | FRONT DISC 2009 TR | DISCO DELANTERO 2009 TR |
| 14 | C209 | C209 | C209 | ENTRETOISE DISQUE AVANT | SPACER DISC | CASQUILLO FLOTANTE DISCO |
| 15 | C452 | C452 | C452 | VIS HEXAGONAL EPAULE M6 X 18 | SCREW EXAGONAL M6 X 18 | TORNILLO EXAGONAL M6 X 18 |
| 16 | C333 | C333 | C333 | ENTRETOISE ROUE AVANT 2002 | FRONT BRUSH 2002 | SEPARADOR RUEDA DEL 2002 |

Roue arriere / Rear wheel / Rueda trasera



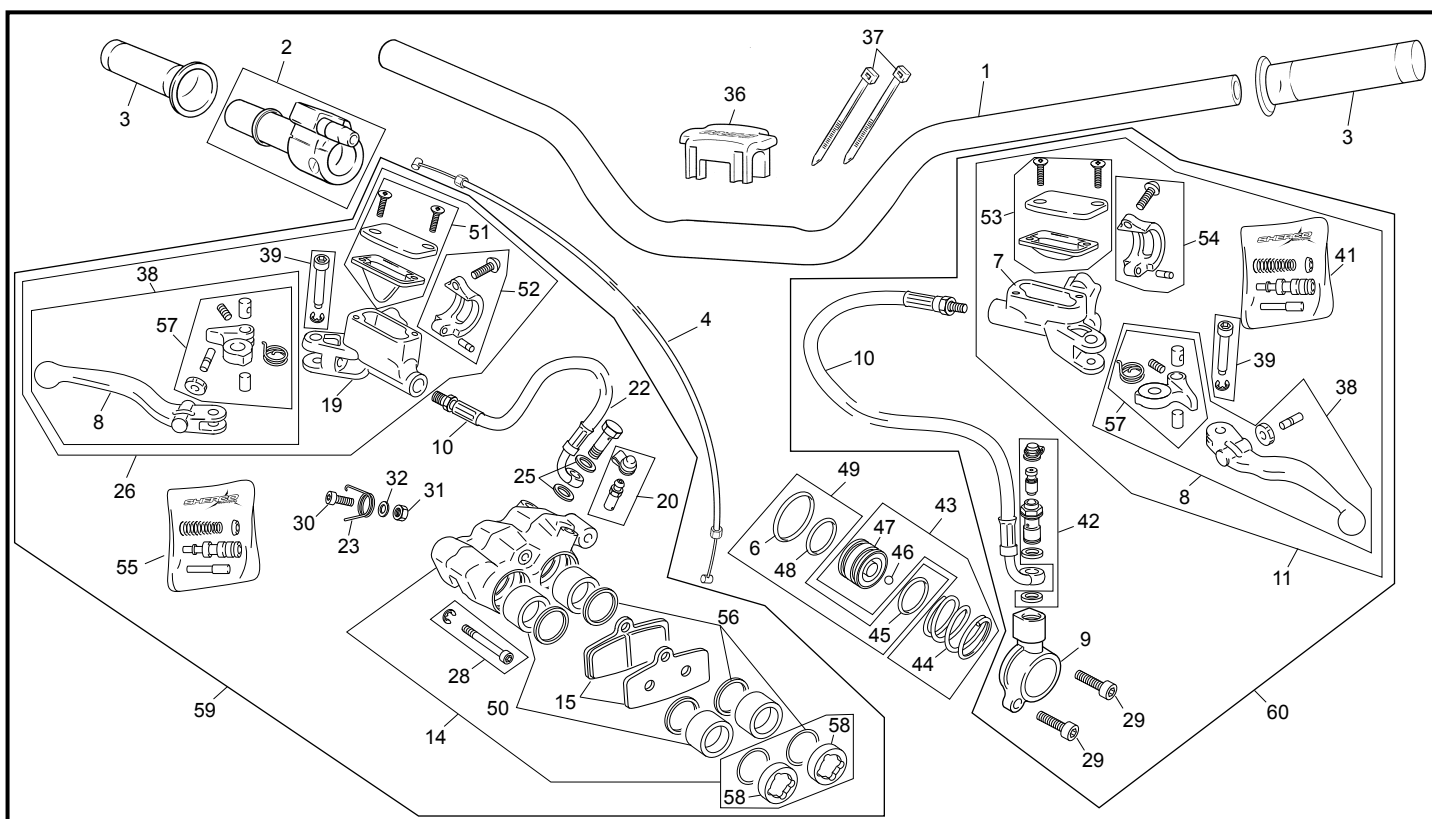
| POS. | 2.5 | 2.9 | 3.0 | FRANÇAIS | ENGLISH | ESPAÑOL |
|------|--------|--------|--------|---|-----------------------------------|------------------------------------|
| 1 | C253 | C253 | C253 | ECROU ROUE ARRIERE | REAR AXLE NUT | TUERCA EJE RUEDA TRASERA |
| 2 | M314 | M314 | M314 | RONDELLE X 17 1405 016 | WASHER X 17 | ARANDELA X 17 |
| 3 | 4595 | 4595 | 4595 | EXCENTRIQUE DROIT NOIRE TENDEUR CHAINE | RUNNER CHAIN BLACK | EXCÉNTRICA DERECHA NEGRA |
| 4 | 3951 | 3951 | 3951 | ENTRETOISE ROUE ARRIERE FMLA | REAR BRUSH FMLA | SEPARADOR RUEDA TRASERA FMLA |
| 4 | C255 | C255 | C255 | ENTRETOISE ROUE ARRIERE | REAR BRUSH | SEPARADOR RUEDA TRASERA |
| 5 | M249 | M249 | M249 | VIS CHC TETE BASSE 6 X 20 SS TROU GUIDAGE | SCREW CHC 6 X 20 | TORNILLO M 6 X 20 CABEZA REBAJADA |
| 6 | 2002 | 2002 | 2002 | DISQUE FREIN ARRIERE TR 2009 | REAR DISC 2009 TR | DISCO FRENO TRASERO 2009 TR |
| 7 | R049 | R049 | R049 | ROULEMENT DE MOYEU 6004 2RS | BEARING HUB 6004 2RS | RODAMIENTO BUJE 6004 2RS |
| 8 | C251 | C251 | C251 | PNEU ARRIERE 400X18 | REAR TYRE 400 X 18 | NEUMÁTICO 400 X 18 TUBELESS |
| 9 | C265 | C265 | C265 | CHAINE 107 | CHAIN 107 | CADENA 107PASOS |
| 10 | C267 | C267 | C267 | PIGNON 9 D | SPROCKET 9 T | PIÑÓN 9 D |
| 11 | M287 | M287 | M287 | VIS BHC 8 X 22 | SCREW BHC 8 X 22 | TORNILLO BHC 8 X 22 |
| 12 | 4596 | 4596 | 4596 | EXCENTRIQUE GAUCHE NOIRE TENDEUR CHAINE | LEFT REAR AXLE EXCENTRIC BLACK | EXCÉNTRICA IZQUIERDA NEGRA |
| 13 | 4594 | 4594 | 4594 | AXE ROUE ARRIERE NOIR | AXELE BACK WHEEL BLACK | EJE RUEDA TRAS NEGRO |
| 14 | 2299 | 2299 | 2299 | DOUILLE BRONZE PEDALE FREIN TR | BEARING | CASQUILLO BRONCE PEDAL FRENO TR |
| 15 | 4560 | 4560 | 4560 | PEDALE DE FREIN NOIR | REAR BRAKE PEDAL BLACK | PEDAL FRENO TRASERO NEGRO |
| 16 | 4551 | 4551 | 4551 | ROUE ARRIERE 0.8 TR TITANIUM SHERCO | BACK WHEEL 0.8 TR TITANIUM SHERCO | RUEDA TRAS 0.8 TR TITANIO SHERCO |
| 17 | M280 | M280 | M280 | VIS BHC 8 X 35 NOIR | SCREW BHC 8X35 BLACK | TORNILLO M8 X 35 ULS NEGRO |
| 18 | 5076 | 5076 | 5076 | ENTRETOISE PEDALE DE FREIN | SPACER BRAKE PEDAL | CASQUILLO PEDAL DE FRENO |
| 19 | C304 | C304 | C304 | 1/2 MAILLON DE CHAINE | HALF COMPLING CONNECTION | MEDIA MALLA DE CADENA |
| 20 | M305 | M305 | M305 | ECROU NYLSTOP M8 0368.8 | NUT NYLSTOP M8 | TUERCA NYLSTOP M8 |
| 21 | 4661 | 4661 | 4661 | BOCAL LIQUIDE FREIN FORMULA | OIL TANK BRAKE FORMULA | DEPÓSITO LÍQUIDO FRENO FORMULA |
| 22 | M284 | M284 | M284 | VIS BHC 6 X 25 1093 NOIRE | SCREW BHC 6 X 25 NEGRO | TONILLO 6 X 25 ULS BLACK |
| 23 | 4052 | 4052 | 4052 | GROUPE FREIN ARRIERE FORMULA | REAR BRAKE COMPLETE FORMULA | CTO FRENO TRASERO FORMULA |
| 24 | C259 | C259 | C259 | CHAPE PEDALE FREIN 0267 | REAR BRAKE ROD | HORQUILLA PEDAL DE FRENO |
| 25 | M309 | M309 | M309 | ECROU STANDARD M6 0317 | NUT M6 | TUERCA M6 |
| 26 | 4659 | 4659 | 4659 | POMPE FREIN AR CORPS FORMULA | BODY REAR MASTER CYLINDER FORMULA | CUERPO BOMBA FRENO TRASERO FORMULA |
| 27 | 4660 | 4660 | 4660 | KIT TUBE LIQUIDE FREIN BOCAL/POMPE L 210 | KIT OIL TANK TUBE L 210 | KIT TUBO LÍQUIDO FRENO L 210 |
| 29 | 4661 | 4661 | 4661 | BOCAL LIQUIDE FREIN FORMULA | OIL TANK BRAKE FORMULA | DEPÓSITO LÍQUIDO FRENO FORMULA |
| 30 | 4333 | 4333 | 4333 | COURRONE 56D 4 TROUS | REAR SPROCKET 56 D 4 HOLE | CORONA 56 D 4 AGUJEROS |
| 31 | R074 | R074 | R074 | RONDELLE BANJO CUIVRE 10x14x1.5 | WASHER COPPER 10x14x1.5 | ARANDELLA BANJO COBRE 10x14x1.5 |
| 32 | 3631 | 3631 | 3631 | VALVE AR JANTE NER | TUBLESS VALVE RIM NER | VÁLVULA LLANTA NERVIÓ |
| 33 | R059 | R059 | R059 | VIS RACCORD M10 X 21 HEXA | LINK SCREW M10 X 21 HEXA | TORNILLO RACORD M10 X 21HEXA |
| 34 | 3777/1 | 3777/1 | 3777/1 | CABLE DE FREIN ARRIERE | REAR BRAKE CABLE | CABLE FRENO TRASERO |

Roue arriere / Rear wheel / Rueda trasera



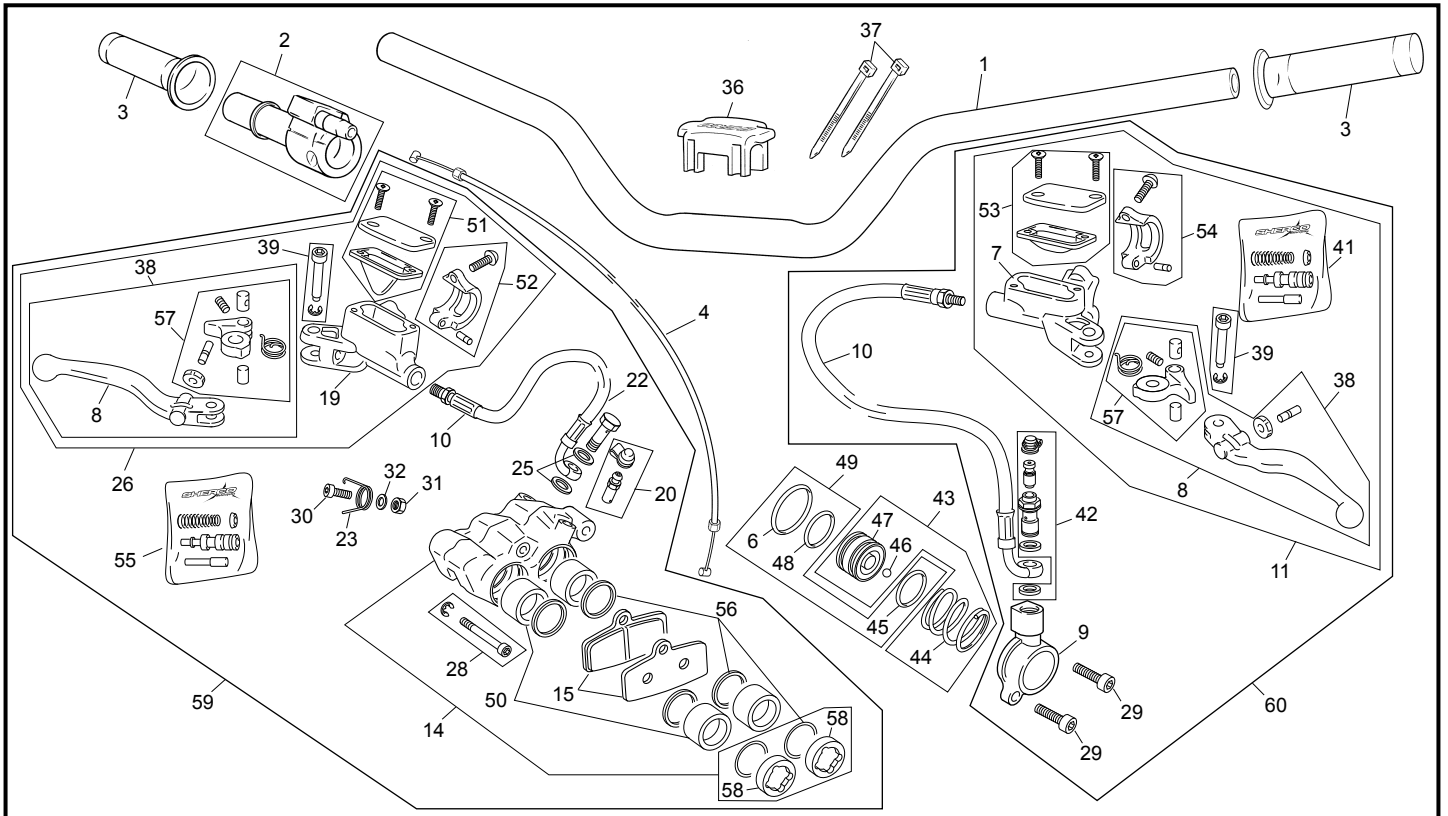
| POS. | 2.5 | 2.9 | 3.0 | FRANÇAIS | ENGLISH | ESPAÑOL |
|------|------|------|------|---|---|--|
| 35 | 4662 | 4662 | 4662 | PISTON POMPE FREIN ARRIERE DIAM 9.5 FORMULA | PISTON REAR BRAKE POMP 9.5 FORMULA | PISTÓN BOMBA FRENO TRA. TRIAL DIAM 9.5 FORMULA |
| 36 | 4680 | 4680 | 4680 | ETRIER FREIN ARRIERE FORMULA | REAR CALIPER FORMULA | PINZA FRENO TRASERO FORMULA |
| 40 | 4645 | 4645 | 4645 | JANTE ARRIERE TITANE NERVURE 32 RAYONS | REAR RIM TITANIUM NERVE 32 R | LLANTA TRASERA TITANIO NERVADA 32 R |
| 41 | 4553 | 4553 | 4553 | MOYEU ARRIERE JAUNE | REAR HUB YELLOW | BUJE TRASERO AMARILLO |
| 42 | 4248 | 4248 | 4248 | KIT OR ETRIER ARRIERE FORMULA | KIT OR CALIPER BACK FORMULA | KIT TÓRICAS PINZA FRENO TR FORMULA |
| 43 | M282 | M282 | M282 | VIS BHC 6 X 10 1093 | SCREW BHC 6 X 10 | TORNILLO 6 X 10 BHC |
| 44 | RO34 | RO34 | RO34 | ATTACHE RAPIDE DE CHAINE | CONNECTING LINK | ENGANCHE CADENA |
| 45 | C390 | C390 | C390 | PLAQUETTES FREIN ARRIERE PAIRE 2002 | REAR PAD BRAKE PAIR 2002 | JUEGO PASTILLAS TRASERO 2002 |
| 49 | 3391 | 3391 | 3391 | RAYON DEMIE 165X3.5 NOIR COTE DISQUE | HALF SPOCKE 165X3.5 BLACK SIDE BRAKE | RÁDIO SEMI 165X3.5 NEGRO LADO DISCO |
| 50 | 3392 | 3392 | 3392 | RAYON L MINI 34.5X3.5 COTE DISQUE NOIR | MINI SPOCKE L 34.5X3.5 SIDE BRAKE BLACK | RÁDIO L MINI 34.5X3.5 LADO DISCO NEGRO |
| 51 | 3393 | 3393 | 3393 | RAYON DEMIE 175X3.5 COTE COURONE NOIR | HALF SPOCKE 175X3.5 SIDE TRANS BLACK | RÁDIO SEMI 175X3.5 LADO CORONA NEGRO |
| 52 | 3394 | 3394 | 3394 | RAYON L MINI 35.5X3.5 COTE COURONE NOIR | SPOCKE L MINI 35.5X3.5 SIDE TRANS BLACK | RÁDIO L MINI 35.5X3.5 LADO CORONA NEGRO |
| 53 | 3395 | 3395 | 3395 | TENDEUR RAYON AR | REAR NIPPLE SPOKE | TENSOR RÁDIO TRASERO |
| 54 | 4658 | 4658 | 4658 | POMPE FREIN AR 9.5 FORMULA | REAR MASTER CYLINDER 9.5 FORMULA | BOMBA FRENO TRASERO 9.5 FORMULA |
| 55 | 4247 | 4247 | 4247 | ETRIER FREIN ARRIERE NU FORMULA | ONLY REAR CALIPER FORMULA | PINZA FREINO TRASERO SOLA FORMULA |
| 56 | 4305 | 4305 | 4305 | KIT PISTONS ETRIER ARRIERE FORMULA | KIT PISTONS CALIPER BACK FORMULA | KIT PISTONES PINZA FRENO TRA. FORMULA |
| 57 | 4681 | 4681 | 4681 | KIT FIXAGE PLAQUETES ARRIERE FORMULA 13 | REAR PADS FIXING SCREW KIT FORMULA 13 | KIT FIJACIÓN PASTILLAS TRASERAS FORMULA 13 |
| 58 | 4666 | 4666 | 4666 | KIT PURGE FORMULA 13 | BLEENDING SCREW KIT FORMULA 13 | KIT PURGA FORMULA 13 |
| 59 | 4354 | 4354 | 4354 | OUTIL BOUCHON FORMULA | TOOL FORMULA CAP | UTIL TAPÓN FORMULA |
| 60 | 5326 | 5326 | 5326 | KIT REPARATION PEDALE DE FREIN | KIT REPARATION REAR BRAKE LEVER | KIT REPARACION PEDAL FRENO TRASERO |

Guidon / Handlebar / Manillar



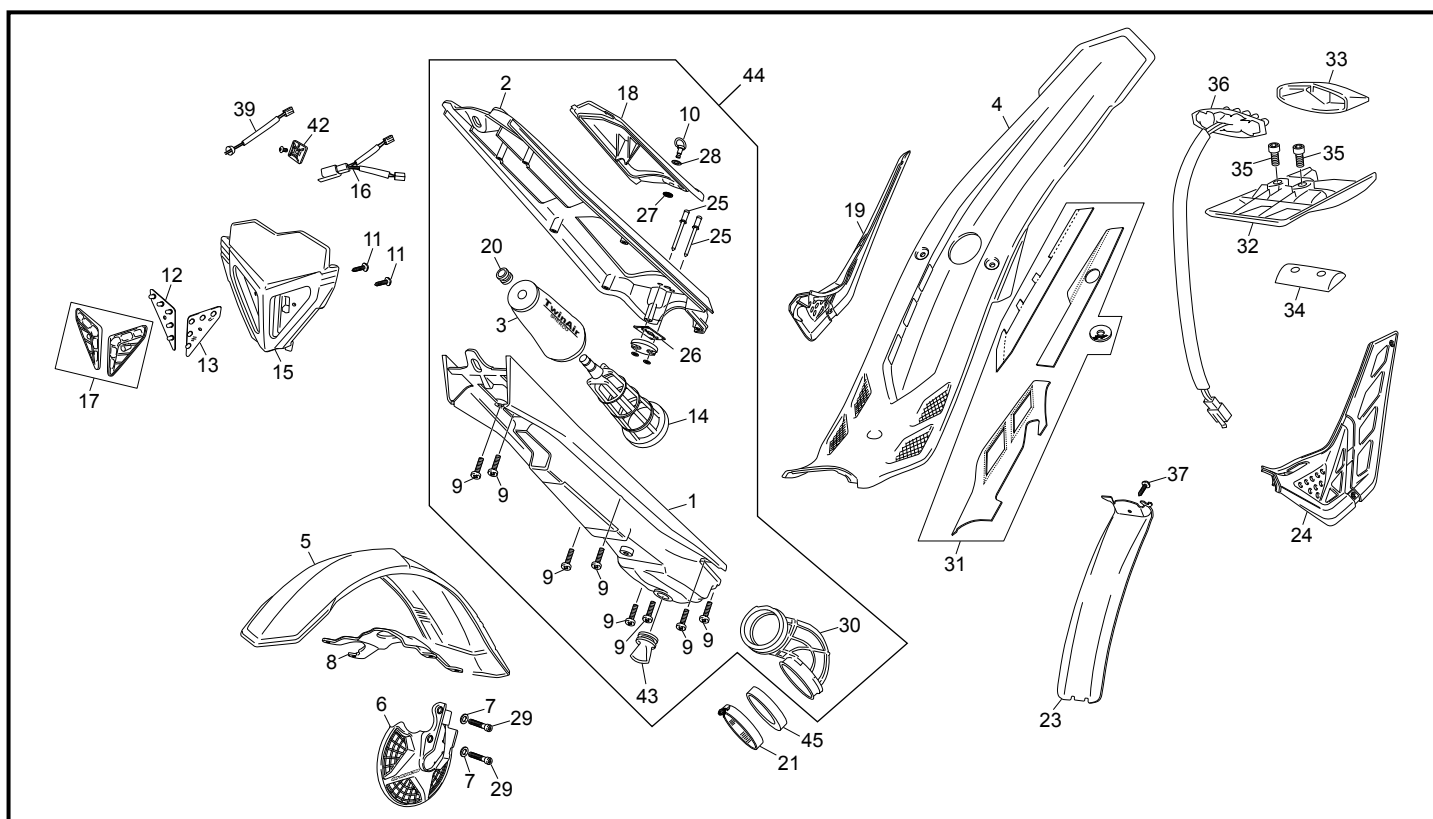
| POS. | 2.5 | 2.9 | 3.0 | FRANÇAIS | ENGLISH | ESPAÑOL |
|------|------|------|------|--|--|--|
| 1 | 3676 | 3676 | 3676 | GUIDON TRIAL 2012 | HANDLEBAR TRIAL 2112 | MANILLAR TRIAL 2012 |
| 2 | C074 | C074 | C074 | COMMANDE DE GAZ | THROTTLE CONTROL | MANDO DE GAS |
| 3 | 1662 | 1662 | 1662 | POIGNEE CAOUTCHOUX PAIRE REA | GRIPS SET REA | JUEGO EMPUNADURAS REA |
| 4 | 1362 | 1362 | 1362 | CABLE DE GAZ KEIHIN | THROTTLE CABLE KEIHIN | CABLE DE GAS KEIHIN |
| 6 | R024 | R024 | R024 | TORIQUE 35 X 31 X 2 EMB/CARTER | O-RING 31 X 2 (CLUTCH) | TÓRICA 31 X 2 EMBRA/CARTER |
| 7 | 4654 | 4654 | 4654 | KIT POMPE EMB 9.5 MM FORMULA 13 | CLUTCH MASTER CYLINDER 9.5 MM KIT FORMULA 13 | KIT BOMBA EMBRAGUE 9.5 MM FORMULA 13 |
| 8 | 4650 | 4650 | 4650 | LEVIER FREIN / EMBRAYAGE SEUL FORMULA 13 | BRAKE / CLUTCH LEVER ALONE FORMULA 13 | MANETA FRENO / EMBRAGUE SOLA FORMULA 13 |
| 9 | 4048 | 4048 | 4048 | CYLINDRE RECEPTEUR D EMBRAYAGE TRIAL | SLAVE CYLINDER 250 TRIAL | BOMBIN EMBRAGUE TRIAL |
| 10 | 4253 | 4253 | 4253 | DURITE FREIN EMBRAYAGE FORMULA | CLUTCH/BRAKE HOSE FORMULA | LATIGUILLO FRENO/ EMBRAGUE |
| 11 | 4655 | 4655 | 4655 | GROUPE CPL POMPE EMB 9.5 MM FORMULA 13 | COMPLETE CLUTCH MASTER CYLINDER 9.5 MM SET FORMULA | GRUPO BOMBA EMBR. COMPLETO 9.5 MM FORMULA 13 |
| 14 | 4664 | 4664 | 4664 | CORPS ETRIER FREIN AVANT DOUBLE PISTON FORMULA | BODY FRONT CALIPER 2 PISTON FORMULA | CUERPO PINZA FRENO DEL DOBLE PISTON FORMULA |
| 15 | 4252 | 4252 | 4252 | PLAQUETTES FREIN AVANT PAIRE FORMULA | FRONT PAD BRAK PAIR FORMULA | JUEGO PASTILLAS FRENO DEL JUEGO FORMULA |
| 19 | 4168 | 4168 | 4168 | CORPS POMPE FREIN 10MM FORMULA | RIGH MASTER CYLINDER BODY KIT 10 MM FORMULA | CTO BOMBA FRENO DELANTERO FORMULA |
| 20 | 4666 | 4666 | 4666 | KIT PURGE FORMULA 13 | BLEEDING SCREW KIT FORMULA 13 | KIT PURGA FORMULA 13 |
| 21 | R058 | R058 | R058 | CAPUCHON VIS DE PURGE | HOOD SCREW PURGE | TAPÓN SANGRADOR |
| 22 | 4725 | 4725 | 4725 | VIS RACCORD M8 X 21 HEXA | LINK SCREW M8 X 21 HEXA | TORNILLO RACORD M8 X 21HEXA |
| 23 | R043 | R043 | R043 | GUIDE DURITE FREIN AV | GUIDE FRONT BRAKE HOSE | GUÍA LATIGUILLO |
| 25 | 3213 | 3213 | 3213 | RONDELLE BANJO M8 (VOIR 2860) | ALUMINIUM SEAL M8 (SEE 2860) | ARANDELLA BANJO M8 (VER 2860) |
| 26 | 4656 | 4656 | 4656 | GROUPE CPL POMPE FREIN AVANT 10 MM FORMULA 13 | COMPLETE RIGHT MASTER CYLINDER 10MM FORMULA 13 | CTO. BOMBA FRENO DELANTERO FORMULA 13 |
| 28 | 4665 | 4665 | 4665 | KIT FIXAGE PLAQUETES FRONT FORMULA 13 | FRONT PADS FIXING SCREW KIT FORMULA 13 | KIT FIJACIÓN PASTILLAS DEL FORMULA 13 |
| 29 | M252 | M252 | M252 | VIS CHC 6 X 20 0084 | SCREW CHC 6 X 20 | TORNILLO 6 X 20 DIN 912 |
| 30 | M283 | M283 | M283 | VIS BHC 6 X 16 1093 ZI BL | SCREW BHC 6 X 16 | TORNILLO 6 X 16 ULS CIN BLA |
| 31 | M306 | M306 | M306 | ECROU NYLSTOP M6 0368.6 | NUT NYLSTOP M6 | TUERCA NYLSTOP M6 |
| 32 | M317 | M317 | M317 | RONDELLE 6 X12 0407 6 | WASHER X 6 | ARANDELA 6 DIN 125 A |
| 36 | 1227 | 1227 | 1227 | MOUSSE GUIDON TRIAL 07 | FOAM HANDLEBAR 07 | ESPUMA MANILLAR TRIAL 07 |
| 37 | 1246 | 1246 | 1246 | COLLIER 07 | COLLIER 07 | BRIDA MANILLAR 07 |
| 38 | 4647 | 4647 | 4647 | LEVIER FREIN AVANT COMPLETE FORMULA 13 | BRAKE LEVER COMPLET FORMULA 13 | MANETA FRENO DELANTERA COMPLETA FORMULA 13 |
| 39 | 4649 | 4649 | 4649 | KIT FIXAGE LEVIER FORMULA 13 | LEVER FIXING SCREW KIT FORMULA 13 | KIT FIJACIÓN MANETA FORMULA 13 |
| 41 | 4652 | 4652 | 4652 | KIT REPARATION PISTON POMPE 9,5 MM FORMULA | PISTON KIT 9,5 MM FORMULA | KIT REPARACIÓN PISTÓN BOMBA 9,5 MM FORMULA |
| 42 | 4679 | 4679 | 4679 | KIT PURGE FORMULA 13 | BLEEDING SCREW KIT FORMULA 13 | KIT PURGA FORMULA 13 |
| 43 | 4677 | 4677 | 4677 | KIT PISTON EMETEUR EMBRAYAGE TRIAL | PISTON KIT BBRAKE TRIAL | KIT PISTÓN EMPUJADOR EMBRAGUE TRIAL |
| 44 | 3998 | 3998 | 3998 | RESSORT ETRIER EMB TRIAL | CLUTCH SPRING TRIAL | MUELLE BOMBIN EMBRAGUE TRIAL |
| 45 | 4678 | 4678 | 4678 | KIT OR EMETEUR EMBRAYAGE TRIAL | KIT OR BRAKE CALIPER TRIAL | KIT TÓRICAS EMPUJADOR EMBRAGUE TRIAL |
| 46 | 3978 | 3978 | 3978 | BILLE 5.556 | BALL 5.556 | BOLA 5.556 |
| 47 | 4049 | 4049 | 4049 | PISTON RECEPTEUR EMBRAYAGE TRIAL | PISTON SLAVE CYLINDER TRIAL | PISTÓN BOMBÍN EMBRAGUE TRIAL |

Guidon / Handlebar / Manillar



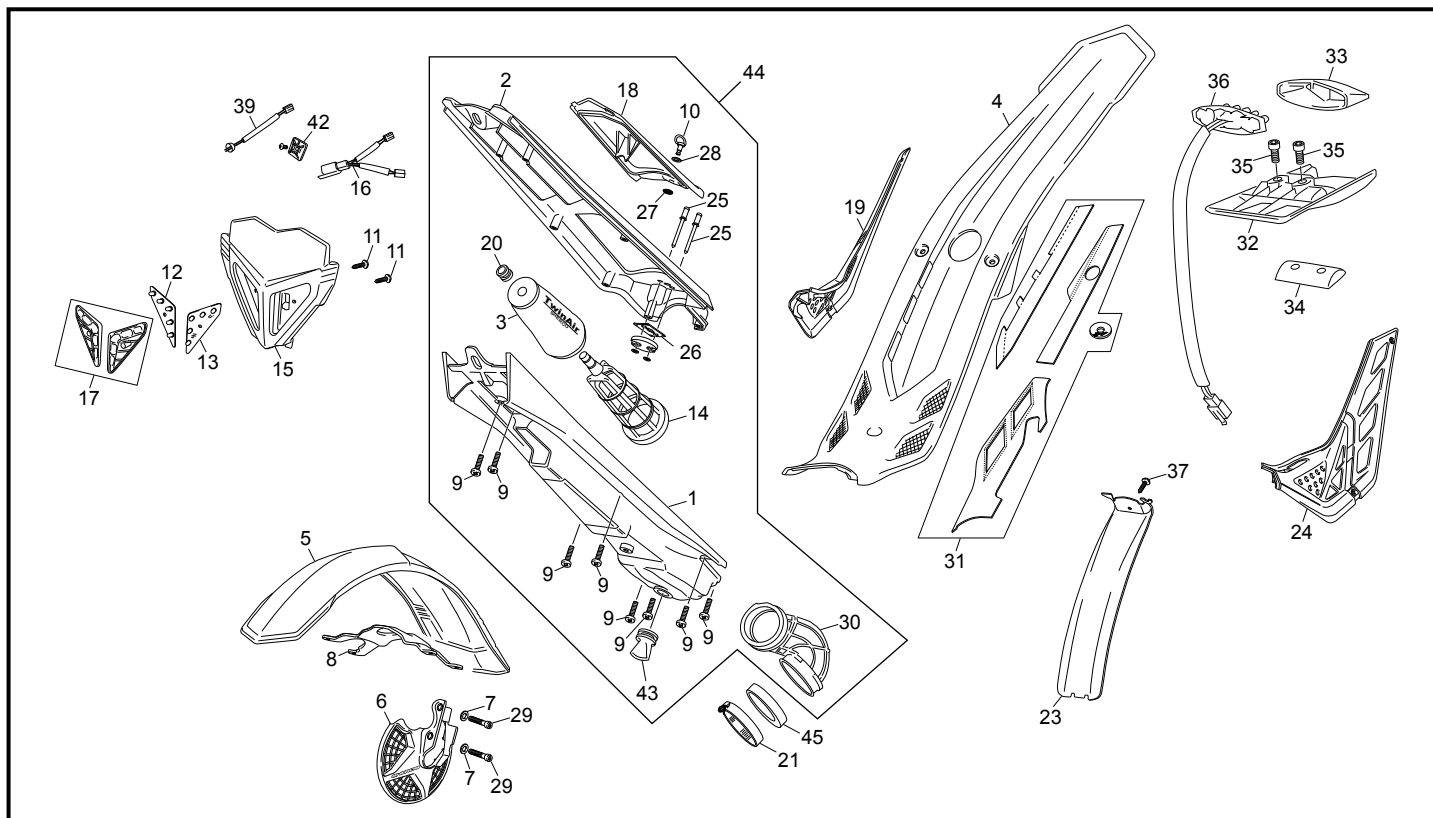
| POS. | 2.5 | 2.9 | 3.0 | FRANÇAIS | ENGLISH | ESPAÑOL |
|------|------|------|------|--|---|--|
| 48 | 3919 | 3919 | 3919 | JOINT TORIQUE 24X1.5 NBR RECEPTEUR EMBRAYAGE | O RING 24X1.5 NBR | TÓRICA 24X1.5 NBR |
| 49 | 4678 | 4678 | 4678 | KIT OR EMETEUR EMBRAYAGE TRIAL | KIT OR BRAKE CALIPER TRIAL | KIT TÓRICAS EMPUJADOR EMBRAGUE TRIAL |
| 50 | 4304 | 4304 | 4304 | KIT PISTONS ETRIER AVANT DOUBLE PIST FORMULA | PISTON KIT FRONT CALIPER FORMULA | KIT PISTONES PINZA FRENO DEL FORMULA |
| 51 | 4169 | 4169 | 4169 | KIT RESERVOIR POMPE FREIN AVANT FORMULA | FRONT BRAKE GROUP FORMULA | CTO. DEPÓSITO FRENO DELANTERO FORMULA |
| 52 | 4653 | 4653 | 4653 | KIT BRIDE POMPE FORMULA 13 | CLAMP KITFORMULA 13 | KIT BRIDA BOMBA FORMULA 13 |
| 53 | 4161 | 4161 | 4161 | KIT RESERVOIR POMPE EMB FORMULA | RESERVOIR KIT FORMULA | KIT TAPA DEPÓSITO BOMBA EMB FORMULA |
| 54 | 4653 | 4653 | 4653 | KIT BRIDE POMPE FORMULA 13 | CLAMP KITFORMULA 13 | KIT BRIDA BOMBA FORMULA 13 |
| 55 | 4648 | 4648 | 4648 | KIT REPARATIONJ PISTON POMPE10 MM FORMULA 13 | PISTON KIT 10 MM FORMULA 13 | KIT REPARACIÓN PISTÓN BOMBA 10 MM FORMULA 13 |
| 56 | 4251 | 4251 | 4251 | KIT OR ETRIER AVANT DOUBLE PIST FORMULA | KIT OR FRONT CALIPER FORMULA | KIT TÓRICAS PINZA FRENO DEL. FORMULA |
| 57 | 4651 | 4651 | 4651 | REGULATION LEVIER FREIN / EMBRAYAGE FORMULA 13 | ADJUSTEMENT BRAKE / CLUTCH LEVER FORMULA 13 | REGULACIÓN MANETA FRENO / EMBR. FORMULA 13 |
| 58 | 4717 | 4717 | 4717 | BOUCHON ETRIER FORMULA OR | TAP CALIPER FORMULA GOLD | TAPÓN PINZA FORMULA ORO |
| 59 | 3776 | 3776 | 3776 | GROUPE FREIN AVANT DOUBLE PISTON | FRONT BRAKE GROUP COMPLETE | CTO. FRENO DELANTERO DOBLE PISTÓN |
| 60 | 4051 | 4051 | 4051 | GROUPE COP. EMBRAYAGE FORMULA 13 | COMPLETE CLUTCH SET FORMULA 13 | GRUPO EMBRAGUE FORMULA 13 |

Plastiques / Plastics / Plásticos



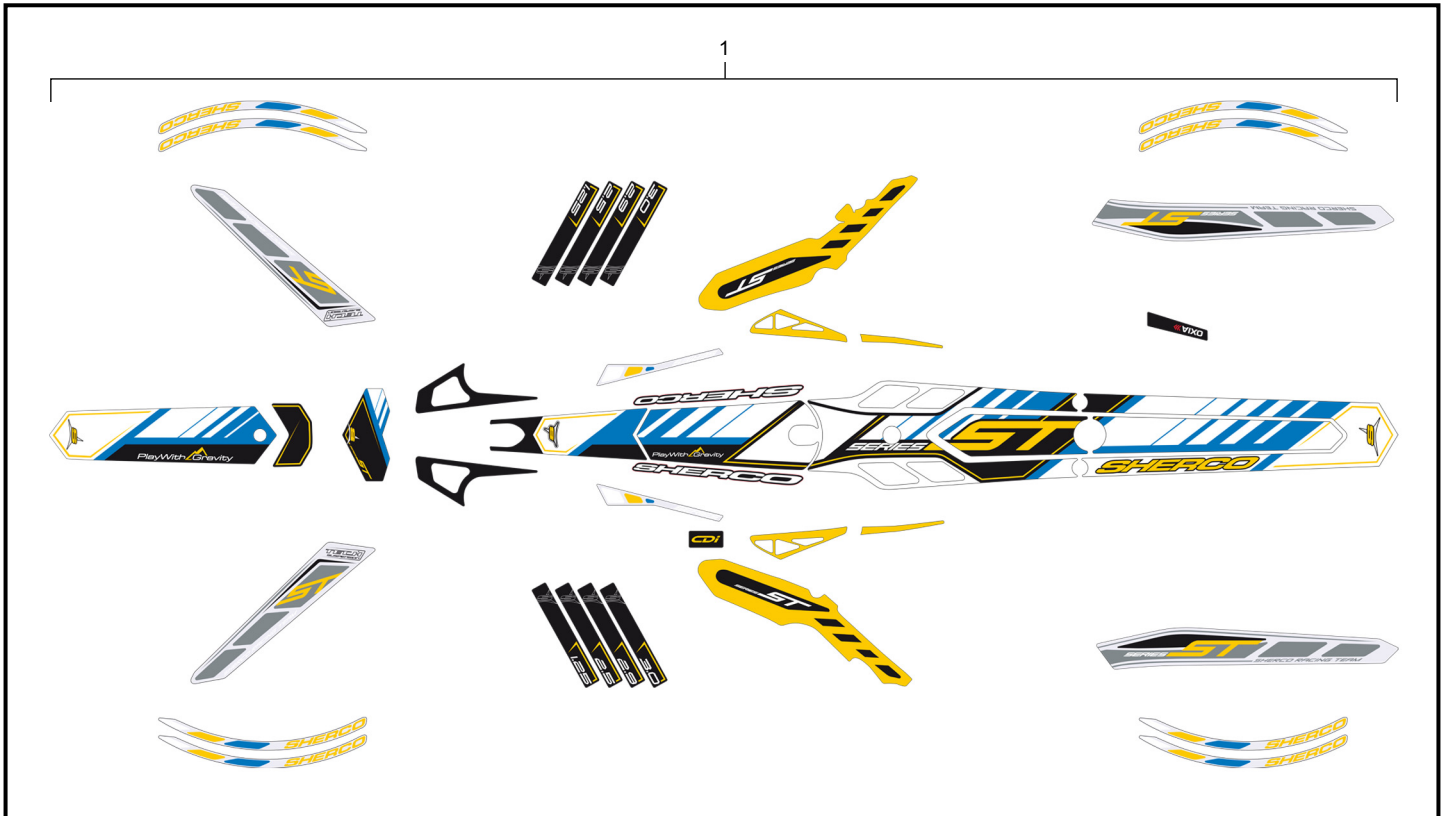
| POS. | 2.5 | 2.9 | 3.0 | FRANÇAIS | ENGLISH | ESPAÑOL |
|------|------|------|------|--|--|---|
| 1 | 3588 | 3588 | 3588 | CORPS FILTRE INF 2012 | BODY FILTER INF 2012 | CUERPO FILTRO INF 2012 |
| 2 | 3589 | 3589 | 3589 | CORPS FILTRE SUP 2012 | BODY FILTER 2012 | CUERPO FILTRO 2012 |
| 3 | 3590 | 3590 | 3590 | MOUSSE DE FILTRE 2012 | FOAM FILTER 2012 | ESPUMA DE FILTRO 2012 |
| 4 | 5072 | 5072 | 5072 | PARE BOUE ARRIERE NOIR TR 14 | REAR MUDGUARD BLACK TR 14 | GUARDABARRO TRASERO NEGRO TR 14 |
| 5 | 5071 | 5071 | 5071 | PARE BOUE AVANT NOIR TR 14 | FRONT MUDGUARD BLACK TR 14 | GUARDABARRO DELANTERO NEGRO TR 14 |
| 6 | 3400 | 3400 | 3400 | ARCEAU FOURCHE TS | MUDGUARD HOLDER TS | PUNTE SUSPENSIÓN TS |
| 7 | C031 | C031 | C031 | ENTRETOISE PARE DISQUE | SPACER DISC COVER | SEPARADOR CUBREDISCOS DEL. |
| 8 | 4543 | 4543 | 4543 | ARCEAU FOURCHE TS TITANIO SHERCO | MUDGUARD HOLDER TS TITANIO SHERCO | PUNTE SUSPENSIÓN TS TITANIO SHERCO |
| 9 | 2266 | 2266 | 2266 | VIS SPECIAL PLASTIQUE | PLASTIC SPECIAL SCREW | TORNILLO ESPECIAL PLÁSTICO |
| 10 | 2267 | 2267 | 2267 | DZUS DE FILTRE 2010 | FILTER DZUS 2010 | DZUS DE FILTRO 2010 |
| 11 | M335 | M335 | M335 | VIS TOLE 3.9 X 16 | SCREW TOLE 3.9 X 16 | TORNILLO TOLE 3.9 X 16 |
| 12 | 2360 | 2360 | 2360 | LED AVANT DROITE 2010 | FRONT RIGHT BULB 2010 | LED DELANTERO DERECHO 2010 |
| 13 | 2361 | 2361 | 2361 | LED AVANT GAUCHE 2010 | FRONT LEFT BULB 2010 | LED DELANTERO IZQUIERDO 2010 |
| 14 | 3587 | 3587 | 3587 | GRILLE FILTRE 2012 | FILTER PROTECTOR 2012 | REJILLA FILTRO 2012 |
| 15 | 3163 | 3163 | 3163 | PLAQUE PHARE NOIR TR 11 | PLASTIC LIGHT COVERT BLACK TR 11 | PLACA FARO NEGRA TR 11 |
| 16 | 2821 | 2821 | 2821 | FAISEAU OPTIQUE TRIAL 2010 | FRONT LIGHT CABLE SYSTEM TRIAL 2010 | INSTALACIÓN ÓPTICA TRIAL 2010 |
| 17 | 2358 | 2358 | 2358 | OPTIQUE DOUBLE 2010 | DOUBLE FRONT LIGHT 2010 | ÓPTICA DOBLE 2010 |
| 18 | 5074 | 5074 | 5074 | COUVERCLE FILTRE NOIR 2014 | AIR FILTER BOX COVER BLACK 2014 | TAPA FILTRO NEGRA 2014 |
| 19 | 2257 | 2257 | 2257 | GRILLE PROTECTEUR ECHAPEMENT 2010 | PROTECTOR EXHAUST COVER 2010 | REJILLA PROTECTEUR ESCAPE 2010 |
| 20 | C118 | C118 | C118 | SILENT BLOC RADIATEUR | SILENT-BLOC RADIATOR | SILENT-BLOC RADIADOR |
| 21 | 0595 | 0595 | 0595 | COLLIER KC060 MANCHON CORP INJECTION END 450 | COLLAR KC060 HOSE BODY INJECTION END 450 | BRIDA TOBERA KC060 CUERPO INYECCIÓN END 450 |
| 23 | 2364 | 2364 | 2364 | BAVETTE AM 2010 | REAR SHOCK COVER 2010 | PROTECTOR AMORTIGUADOR 2010 |
| 24 | 2258 | 2258 | 2258 | GRILLE PROTECTEUR RESERVOIR 2010 | PROTECTOR TANK COVER 2010 | REJILLA PROTECTEUR DEPÓSITO 2010 |
| 25 | 2268 | 2268 | 2268 | RIVET ZEBRA 2.4 X 9 | RIVET POP DIAM 2.4 X 9 | REMACHE 2.4 X 9 |
| 26 | 2317 | 2317 | 2317 | PLAQUE DZUS TRIAL | PLAQUE DZUS TRIAL | PLAQUE DZUS TRIAL |
| 27 | 2318 | 2318 | 2318 | RONDELLE VEROUILLAGE DZUS TRIAL | WASHER RETENTION DZUS TRIAL | ARANDELLA RETENCIÓN DZUS TRIAL |
| 28 | 2319 | 2319 | 2319 | RONDELLE PLASTIQUE DZUS TRIAL | WASHER PLASTIQUE DZUS TRIAL | ARANDELLA PLÁSTICO DZUS TRIAL |
| 29 | M267 | M267 | M267 | VIS CHC 4 X 16 0084 | SCREW VIS CHC 4 X 16 | TORNILLO 4 X 16 ALLEN |
| 30 | 3592 | 3592 | 3592 | RACCORD FILTRE CARBU 2T TR 12 | MANIFOLD FILTER/CARBU 2T TR 12 | TOBERA FILTRO CARBURADOR 2T TR 12 |
| 31 | 2275 | 2275 | 2275 | ADESIF THERMIQUE GB AR JEU 2010 | SET THERMIC STECKER MUDGUARD 2010 | PROTECTOR TÉRMICO GB TRAS JUEGO 2010 |
| 32 | 2048 | 2048 | 2048 | SUPPORT FEU ARRIERE TR 09 | FIXATION RED LIGHT TR 09 | SOPORTE LUZ TRASER TR 09 |
| 33 | 2049 | 2049 | 2049 | FEU ARRIERE TR 09 | REA LIGHT TR 09 | LUZ TRASERA TR 09 |
| 34 | 2047 | 2047 | 2047 | FIXATION SUPPORT IMMATRICULATION TR 09 | FIXATION MATRICULATION SUPPORT TR 09 | SUJECIÓN SOPORTE MATRÍCULA TR 09 |
| 35 | 2052 | 2052 | 2052 | VIS BHC 5 X 20 | SCREW BHC 5 X 20 | TORNILLO 5 X 20 ULS |
| 36 | 2035 | 2035 | 2035 | LED ARRIERE 09 TR | REAR BULB 09 TR | LED TRASERO 09 TR |
| 37 | M345 | M345 | M345 | VIS BHC 6 X 12 CARROSSERIE | SCREW BHC 6 X 12 BODY | TORNILLO BHC 6 X 12 CARROCERÍA |

Plastiques / Plastics / Plásticos



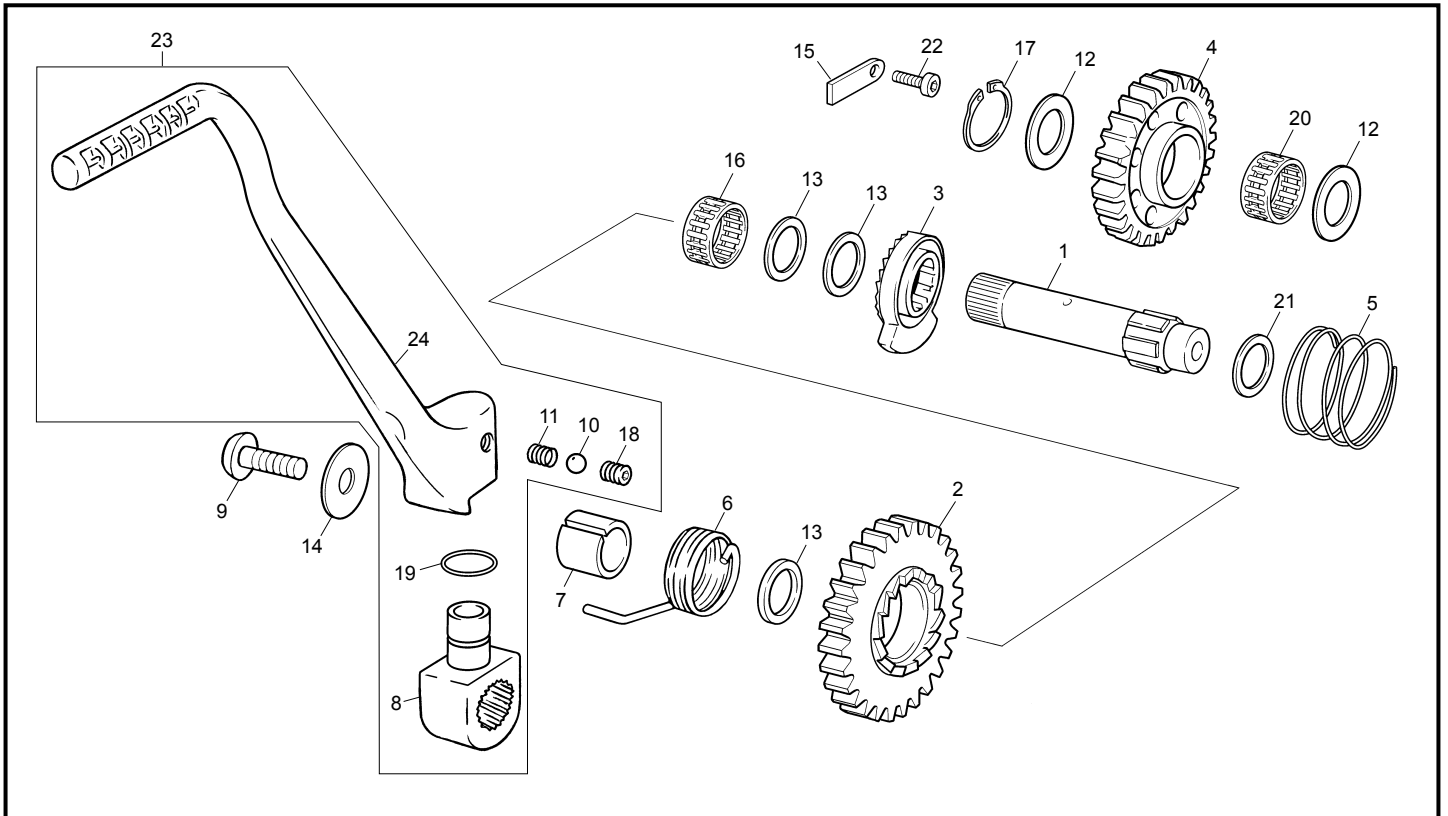
| POS. | 2.5 | 2.9 | 3.0 | FRANÇAIS | ENGLISH | ESPAÑOL |
|------|------|------|------|----------------------------------|--------------------------------|----------------------------------|
| 39 | 2921 | 2921 | 2921 | INTERUPTEUR LUMIERE TRIAL 2010 | FRONT LIGHT STOP TRIAL 2010 | INTERRUPTOR LUCES TRIAL 2010 |
| 42 | 3202 | 3202 | 3202 | FIXATION INTERRUPTOR LUMIERE | STRAP FIX INT | LAPA FIJACIÓN INTERRUPTOR |
| 43 | 1167 | 1167 | 1167 | VALVE CAISSE FILTRE | VALVE BOX FILTER | VÁLVULA CAJA FILTRO |
| 44 | 5073 | 5073 | 5073 | BOITE FILTRE COMPLETE NOIR TR 14 | COMPLET FILTER BOX BLACK TR 14 | CAJA FILTRO COMPLETA NEGRA TR 14 |
| 45 | 2369 | ---- | ---- | ADAPTEUR CARD. DELLORTO | ADAPTER TIPER DELLORTO | ADAPTADOR CARDURADOR DELLORTO |

Adhesif / Stiker / Adhesivo



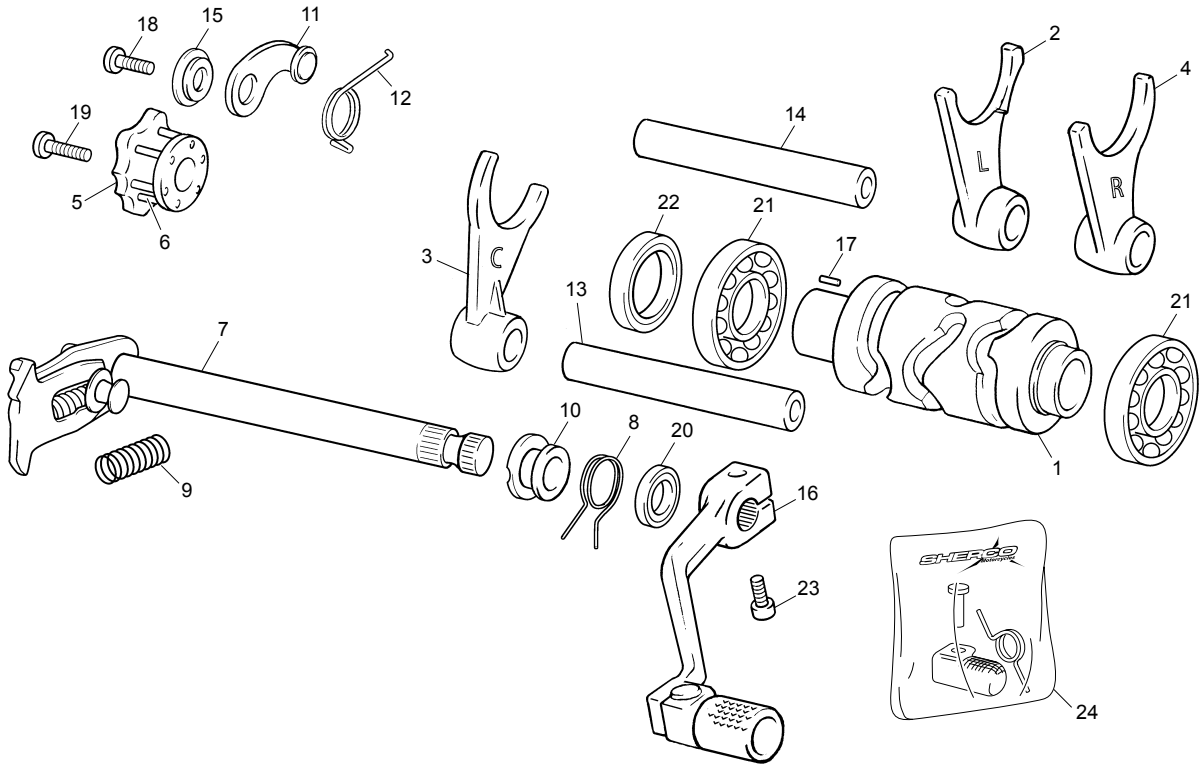
| POS. | 2.5 | 2.9 | 3.0 | FRANÇAIS | ENGLISH | ESPAÑOL |
|------|------|------|------|--|-----------------------------------|---------------------------------------|
| 1 | 4979 | 4979 | 4979 | ADHESIVE GROUPE MOTO SHERCO TRIAL 2014 | STICKER BIKE GROUP SHERCO TR 2014 | ADHESIVO GRUPO MOTO SHERCO TRIAL 2014 |

Lanceur / Kickstarter assembly / Pedal arranque



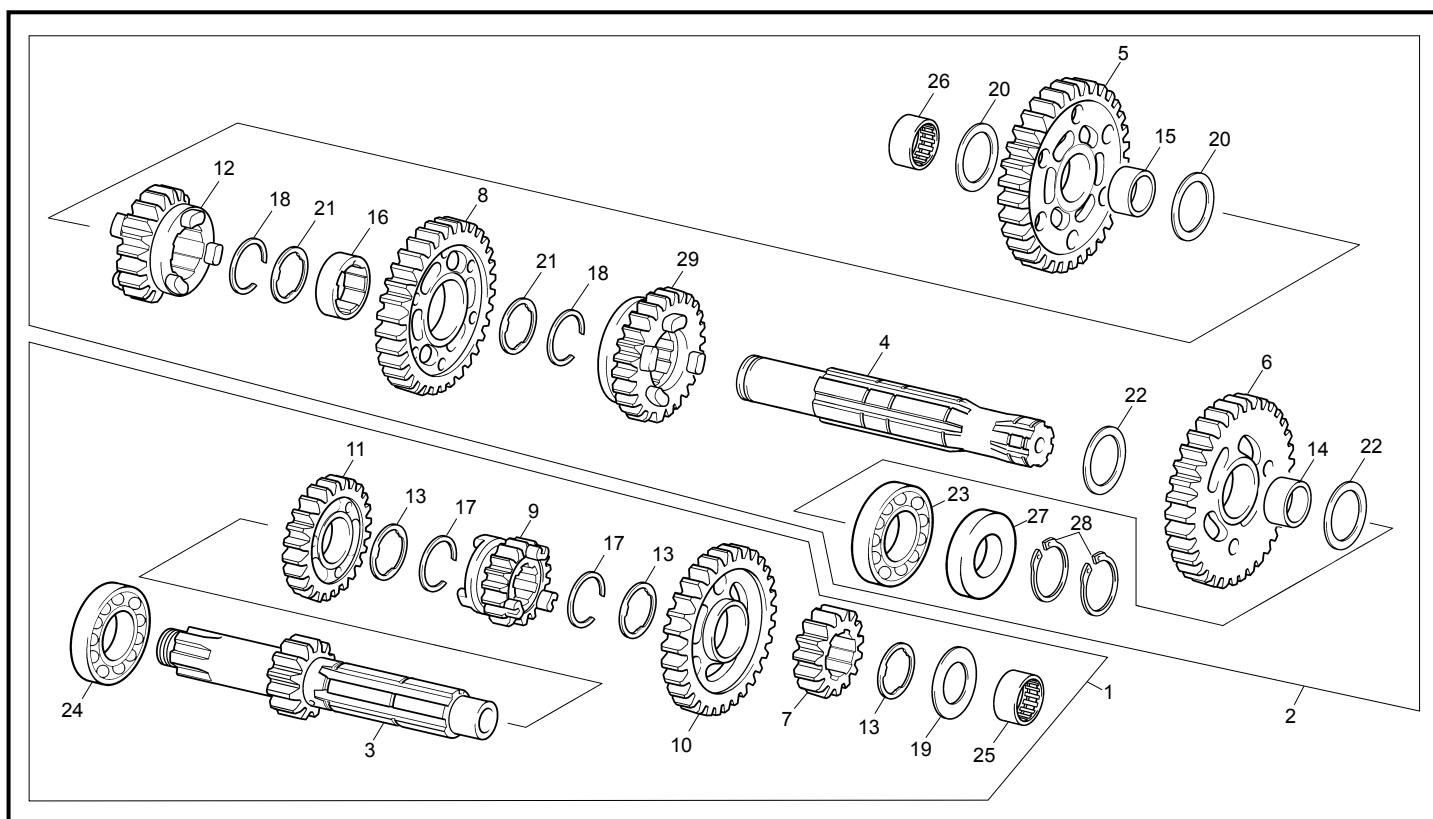
| POS. | 2.5 | 2.9 | 3.0 | FRANÇAIS | ENGLISH | ESPAÑOL |
|------|------|------|------|--|-------------------------------|---|
| 1 | M150 | M150 | M150 | ARBRE LANCEUR | KICKSTART AXLE | EJE ARRANQUE |
| 2 | M151 | M151 | M151 | PIGNON LIBRE DENT DE LOUP | KICKSTART PINION | PIÑÓN TRINQUETE |
| 3 | M152 | M152 | M152 | COULISSEAU DENT DE LOUP | FREE RATCHET KICKSTART | TRINQUETE DESPLAZABLE |
| 4 | M153 | M153 | M153 | ROUE INTERMEDIAIRE | IDLE GEAR KICKSTART | RUEDA INTERMEDIA |
| 5 | M155 | M155 | M155 | RESSORT COULISSEAU D DE L | COMPRESSION SPRING | MUELLE TRINQUETE |
| 6 | 4201 | 4201 | 4201 | RESSORT DE RAPPEL KICK SC | KICK STARTING SPRING SC | MUELLE DE RETORNO SC |
| 7 | M157 | M157 | M157 | DOUILLE CENTRAGE RESSORT | SPACER SPRING KICK START | CASQUILLO CENTRAJE MUELLE |
| 8 | 3215 | 3215 | 3215 | NOIX DE KICK WI | KICKSTART BOTTOM WI | MUNEQUILLA PEDAL ARRANQUE WI |
| 9 | M280 | M280 | M280 | VIS BHC 8 X 16 1093 | SCREW BHC 8 X 16 | TORNILLO 8 X 16 ULS |
| 10 | M160 | M160 | M160 | BILLE 5.5 | 5.5 BALL | BOLA 5.5 |
| 11 | M161 | M161 | M161 | RESSORT DE POUSSEE BILLE | BALL SPRING | MUELLE PULSADOR BOLA |
| 12 | M163 | M163 | M163 | RONDELLE INA AS 17X30X1 | WASHER INA AS 17X30X1 | ARANDELA INA AS 17X30X1 |
| 13 | M164 | M164 | M164 | RONDELLE ARBRE 17X25X1 | WASHER 17X25X1 | ARANDELA EJE ARRANQUE 17X25X1 |
| 14 | M319 | M319 | M319 | RONDELLE 8 X 18 X 1.5 CONIQUE | WHASHER 8 X 18 X 1.5 | ARANDELA DE PLATILLO 8 X 18 X 1.5 |
| 15 | M166 | M166 | M166 | BUTEE COULISSEAU D DE L | TOP RATCHET | TOPE TRINQUETE DESPLAZABLE |
| 16 | M167 | M167 | M167 | CAGE AIGUILLE PIGNON DENT LOUP K17X21X10 | NEEDLE BEARING K17X21X10 | JAULA AGUJAS PIÑÓN TRINQUETE K17X21X10 |
| 17 | M171 | M171 | M171 | SEGMENT ARRET DIAN 17 | RETAINING RING 17 | SIGER DIÁMETRO 17 |
| 18 | M169 | M169 | M169 | VIS SANS TETE DU KICK | SCREW NO HEAD KICK LEVER | TORNILLO ALEN SIN CABEZA PEDAL ARRANQUE |
| 19 | M168 | M168 | M168 | TORIQUE 14 X18X2 | O RING 14X18X2 | TÓRICA 14X18X2 |
| 20 | M077 | M077 | M077 | DOUILLE AIGUILLE HK1712B | NEEDLE BEARING 17X23X12 | CASQUILLO DE AGUJAS 17X23X12 |
| 21 | M165 | M165 | M165 | RONDELLE ARBRE 16X25X1 | WASHER 16X25X1 | ARANDELA EJE ARRANQUE 16X25X1 |
| 22 | M251 | M251 | M251 | VIS CHC 6 X 16 0084 | SCREW CHC 6 X 16 | TORNILLO 6 X 16 DIN 912 |
| 23 | 4539 | 4539 | 4539 | KICK COMPLET WI LARGE | KICK START WI LONG | PEDAL ARRANQUE WI LARGO |
| 24 | 3428 | 3428 | 3428 | LEVIER DE KICK 2011 SEUL TR | KICK START LEVER 2011 ONLY TR | PEDAL ARRANQUE 2011 SOLO TR |

Selecteur / Gear selector group / Selector cambio



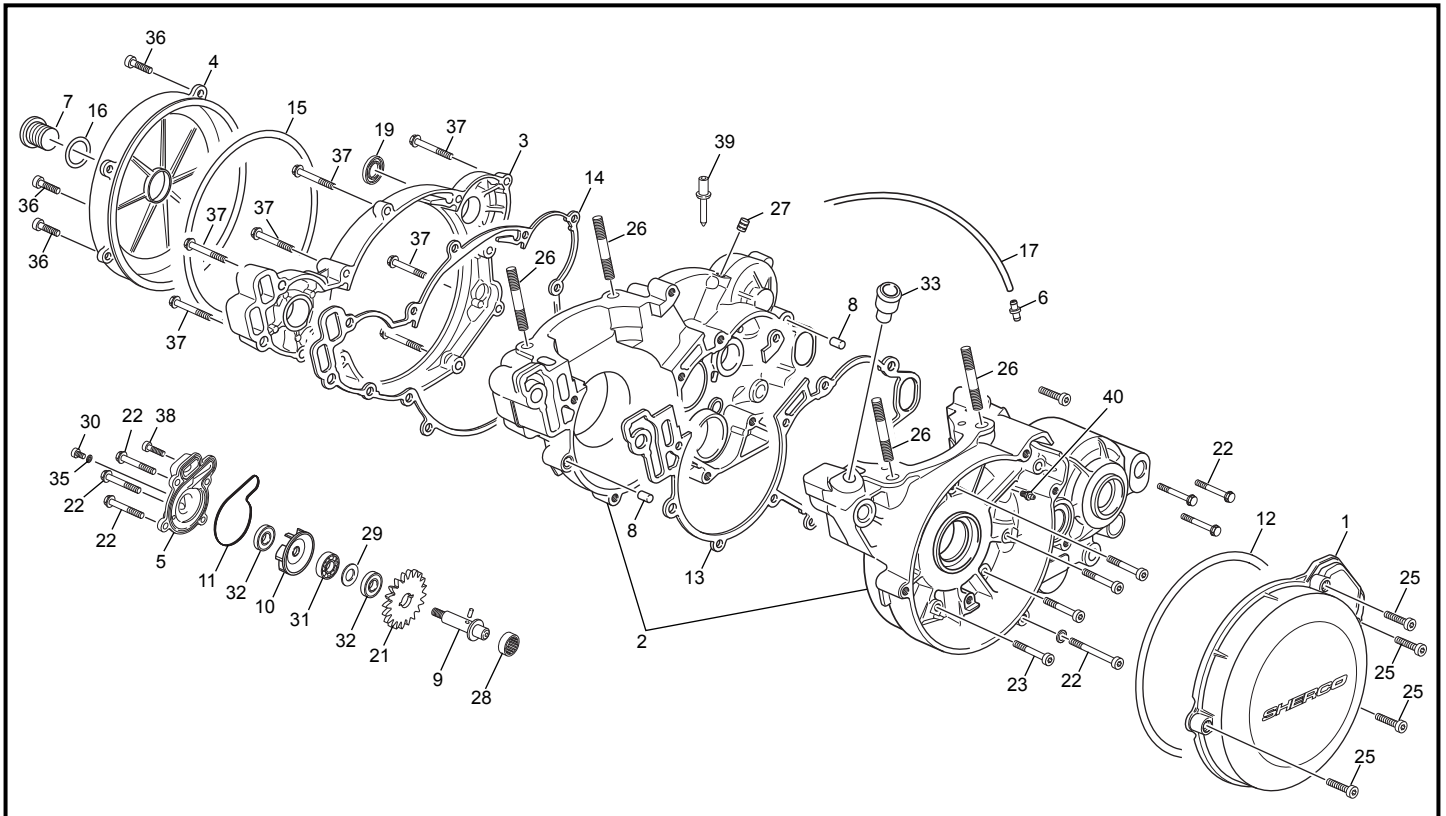
| POS. | 2.5 | 2.9 | 3.0 | FRANÇAIS | ENGLISH | ESPAÑOL |
|------|------|------|------|-----------------------------------|----------------------------|-------------------------------------|
| 1 | M100 | M100 | M100 | TAMBOUR DE SELECTION | SELECTOR DRUM | DESMODRÓMICO SELECTOR |
| 2 | M102 | M102 | M102 | FOURCHETTE L | L FORK | HORQUILLA L |
| 3 | M103 | M103 | M103 | FOURCHETTE C | C FORK | HORQUILLA C |
| 4 | M104 | M104 | M104 | FOURCHETTE R | R FORK | HORQUILLA R |
| 5 | M105 | M105 | M105 | ETOILE DE SELECTION CPL | INDEX SHIM | ESTRELLA SELECTOR |
| 6 | M106 | M106 | M106 | PION ETOILE INA NRA 3X17.8 | NEEDLE PIN NRA3X17.8 | AGUJA DE LA ESTRELLA INA NRA3X17.8 |
| 7 | M107 | M107 | M107 | ARBRE DE SELECTEUR CPL | SHIFT SHAFT WITH PAWL ASSY | ÁRBOL SELECTOR |
| 8 | M110 | M110 | M110 | RESSORT RAPPEL SELECTION | SPRING SHIFT LEVER | MUELLE RETORNO SELECTOR |
| 9 | M111 | M111 | M111 | RESSORT RAPPEL COULISSEAU | SPRING COULISSEAU | MUELLE RETORNO ESORPIÓN |
| 10 | M113 | M113 | M113 | DOUILLE CENTRAGE RESSORT RAPPEL | SPACER SPRING SHIFT LEVER | CASQUILLO CENTRAJE MUELLE RETORNO |
| 11 | M114 | M114 | M114 | LEVIER DE VERROUILLAGE CPL | INDEX LEVER ASSY | PALANCA DE CIERRE SELECTOR |
| 12 | M117 | M117 | M117 | RESSORT DE RAPPEL LEVIER VERROUIL | INDEX SPRING | MUELLE RETORNO PALANCA DE CIERRE |
| 13 | M118 | M118 | M118 | AXE DE FOURCHETTE COURT | FORK SPINDLE | EJE DE HORQUILLA CORTO |
| 14 | M119 | M119 | M119 | AXE DE FOURCHETTE LONG | FORK SPINDLE LONG | EJE DE HORQUILLA LARGO |
| 15 | M121 | M121 | M121 | DOUILLE LEVIER VERROUILLAGE | SPACER INDEX LEVER | CASQUILLO PALANCA CIERRE |
| 16 | 4538 | 4538 | 4538 | SELECTEUR EXTERIEUR NOIRE | SHIFT LEVER ASSY BLACK | PALANCA DE CAMBIO NEGRA |
| 17 | M122 | M122 | M122 | PION CLAVETAGE ETOILE NRA3X11.8 | NEEDLE PIN NRA3X11.8 | AGUJA POSICIONADO ESTRELLA NR3X11.8 |
| 18 | M251 | M251 | M251 | VIS CHC 6 X 16 0084 | SCREW CHC 6 X 16 | TORNILLO 6 X 16 DIN 912 |
| 19 | M253 | M253 | M253 | VIS CHC 6 X 30 0084 | SCREW CHC 6 X 30 | TORNILLO 6 X 30 DIN 912 |
| 20 | M126 | M126 | M126 | JOINT LEVRE 12 X 19 X 5 DL | OIL SEAL 12X19X5 | RETÉN 12X19X5 DL |
| 21 | M123 | M123 | M123 | ROULEMENT 25X37X7 R61805 | BEARING 25X37X7 R61805 | COJINETE 25X37X7 R61805 |
| 22 | M124 | M124 | M124 | JOINT A LEVRE G28X37X4 | OIL SEAL G28X37X4 | RETÉN G28X37X4 |
| 23 | M252 | M252 | M252 | VIS CHC 6 X 20 0084 | SCREW CHC 6 X 20 | TORNILLO 6 X 20 DIN 912 |
| 24 | 5325 | 5325 | 5325 | KIT REPARATION SELECTEUR | KIT REPARATION SELECTOR | KIT REPARACIÓN SELECTOR |

Boite a vitesses / Gear set / Cambio



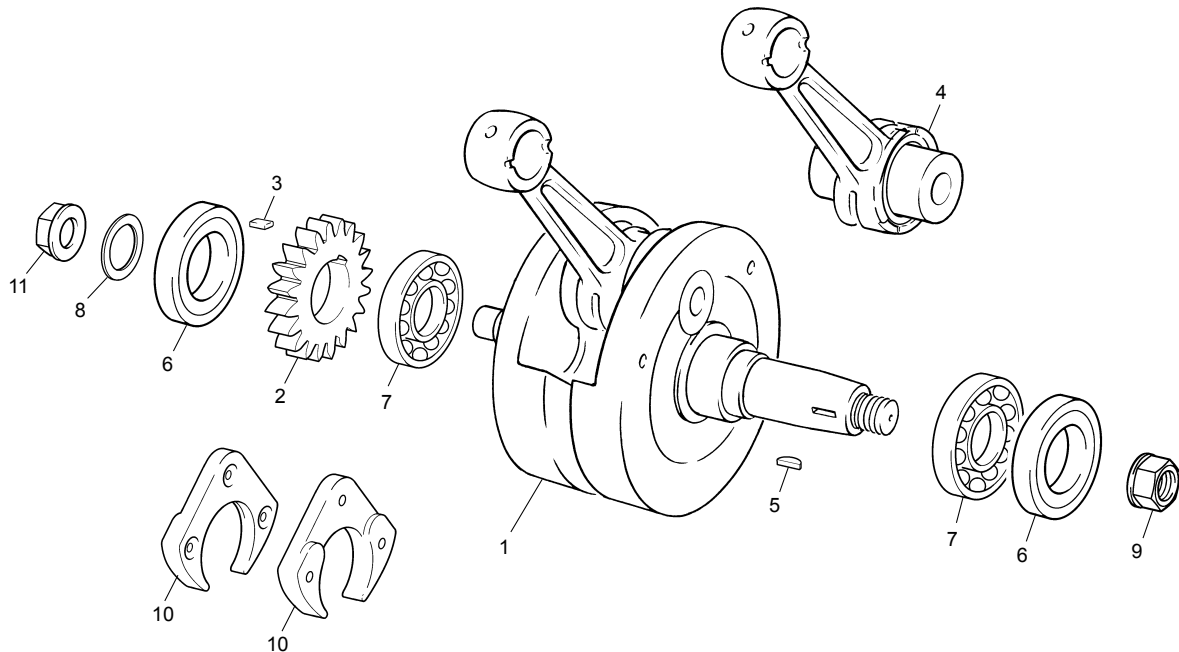
| POS. | 2.5 | 2.9 | 3.0 | FRANÇAIS | ENGLISH | ESPAÑOL |
|------|------|------|------|---|-----------------------------------|--|
| 1 | M390 | M390 | M390 | ENSEMBLE ARBRE PRIMAIRE 03 | GROUP FIRST SHAFT WITH PINION 03 | CONJUNTO EJE PRIMARIO CAMBIO 03 |
| 2 | M391 | M391 | M391 | ENSEMBLE ARBRE SECONDAIRE 03 | GROUP SECOND SHAFT WITH PINION 03 | CONJUNTO EJE SECUNDARIO 03 |
| 3 | M374 | M374 | M374 | ARBRE PRIMAIRE / PIGNON 1ERE EVOL 2 | GEAR CLUTCH SHAFT EVOL 2 | EJE PRIMARIO EVOL 2 |
| 4 | M054 | M054 | M054 | ARBRE SECONDAIRE | MAINSHAFT | EJE SECUNDARIO |
| 5 | M367 | M367 | M367 | PIGNON SECONDAIRE 1ERE EVOL 2 | PINION SECOND 1ERE EVOL 2 | PIÑÓN SECOND 1ERE EVOL 2 |
| 6 | M056 | M056 | M056 | ROUE LIBRE DE 2EME | FREE PINION 2 EME | CORONA DE 2a |
| 7 | M057 | M057 | M057 | PIGNON FIXE DE 2 EME | GEAR PINION 2EME | PIÑÓN DE 2a |
| 8 | M058 | M058 | M058 | ROUE LIBRE DE 3 EME | FREE PINION 3 EME | CORONA DE 3a |
| 9 | M059 | M059 | M059 | PIGNON BALADEUR DE 3EME | GEAR PINION 3 EME | PIÑÓN DESPLAZABLE 3a |
| 10 | M061 | M061 | M061 | ROUE LIBRE DE 5 EME | GEAR PINION 5 EME | CORONA DE 5a |
| 11 | M062 | M062 | M062 | PIGNON LIBRE DE 4 EME | FREE PINION 4 EME | PIÑÓN DE 4a |
| 12 | M063 | M063 | M063 | ROUE BALADEUSE DE 4 EME | FREE PINION 4 EME | CORONA DESPLAZABLE DE 4a |
| 13 | M064 | M064 | M064 | RONDELLE CRENEAUX 20X24X1 | GEAR WASHER 20X24X1 | ARANDELA ESTRIADA 20X24X1 |
| 14 | M065 | M065 | M065 | DOUILLE ANTI FRICTION 1ERE | BUSH 1ERE | CASQUILLO ANTI-FRICCIÓN 1a |
| 15 | M066 | M066 | M066 | DOUILLE ANTI FRICTION 2EME | BUSH 2 EME | CASQUILLO ANTI-FRICCIÓN 2a |
| 16 | M067 | M067 | M067 | DOUILLE ANTI FRICTION 3EME | BUSH 3 EME | CASQUILLO ANTI-FRICCIÓN 3a |
| 17 | M068 | M068 | M068 | SEGMENT ARRET SW 20 | RETAINING SW 20 | SEEGER SW 20 |
| 18 | M069 | M069 | M069 | SEGMENT ARRET SW 22 | RETAINING SW 22 | SEEGER SW 22 |
| 19 | M070 | M070 | M070 | RONDELLE INA ARBRE PRIMAIRE 15X28X1 | THRUST WASHER 15X28X1 | ARANDELA INA EJE PRIMARIO 15X28X1 |
| 20 | M071 | M071 | M071 | RONDELLE ARBRE SECONDAIRE 17X27X1 | MAINSHAFT WASHER 17X27X1 | ARANDELA EJE SECUNDARIO 17X27X1 |
| 21 | M072 | M072 | M072 | RONDELLE CRENEAU ARBRE SECONDAIRE 22X28X1 | WASHER 22X28X1 | ARANDELA ESTRIADA EJE SECUNDARIO 22X28X1 |
| 22 | M073 | M073 | M073 | RONDELLE ARBRE SECONDAIRE 20X27X1 | MAINSHAFT WASHER 20X27X1 | ARANDELA EJE SECUNDARIO 20X27X1 |
| 23 | M074 | M074 | M074 | ROULEMENT 20X47X14 | BEARING 20X47X14 | COJINETE 20X47X14 |
| 24 | M075 | M075 | M075 | ROULEMENT 20X47X14 2RSH | BEARING 20X47X14 2RSH | COJINETE 20X47X14 2RSH |
| 25 | M076 | M076 | M076 | DOUILLE AIGUILLE 15X21X12 | NEEDLE BEARING 15X21X12 | CASQUILLO DE AGUJAS 15X21X12 |
| 26 | M077 | M077 | M077 | DOUILLE AIGUILLE HK1712B | NEEDLE BEARING 17X23X12 | CASQUILLO DE AGUJAS 17X23X12 |
| 27 | M078 | M078 | M078 | JOINT DOUBLE LEVRE 20X30X7 | OIL SEAL 20X30X7 | RETÉN DOBLE LABIO 20X30X7 |
| 28 | M350 | M350 | M350 | SEGMENT ARRET WR 20 SORTIE BOITE | SEGMENT ARRET WR 20 | SEGMENT ARRET WR 20 |
| 29 | M060 | M060 | M060 | PIGNON BALADEUR DE 5 EME | FREE PINION 5 EME | PIÑÓN LIBRE 5a |

Groupe carters / Crankcase assembly / Grupo cárter



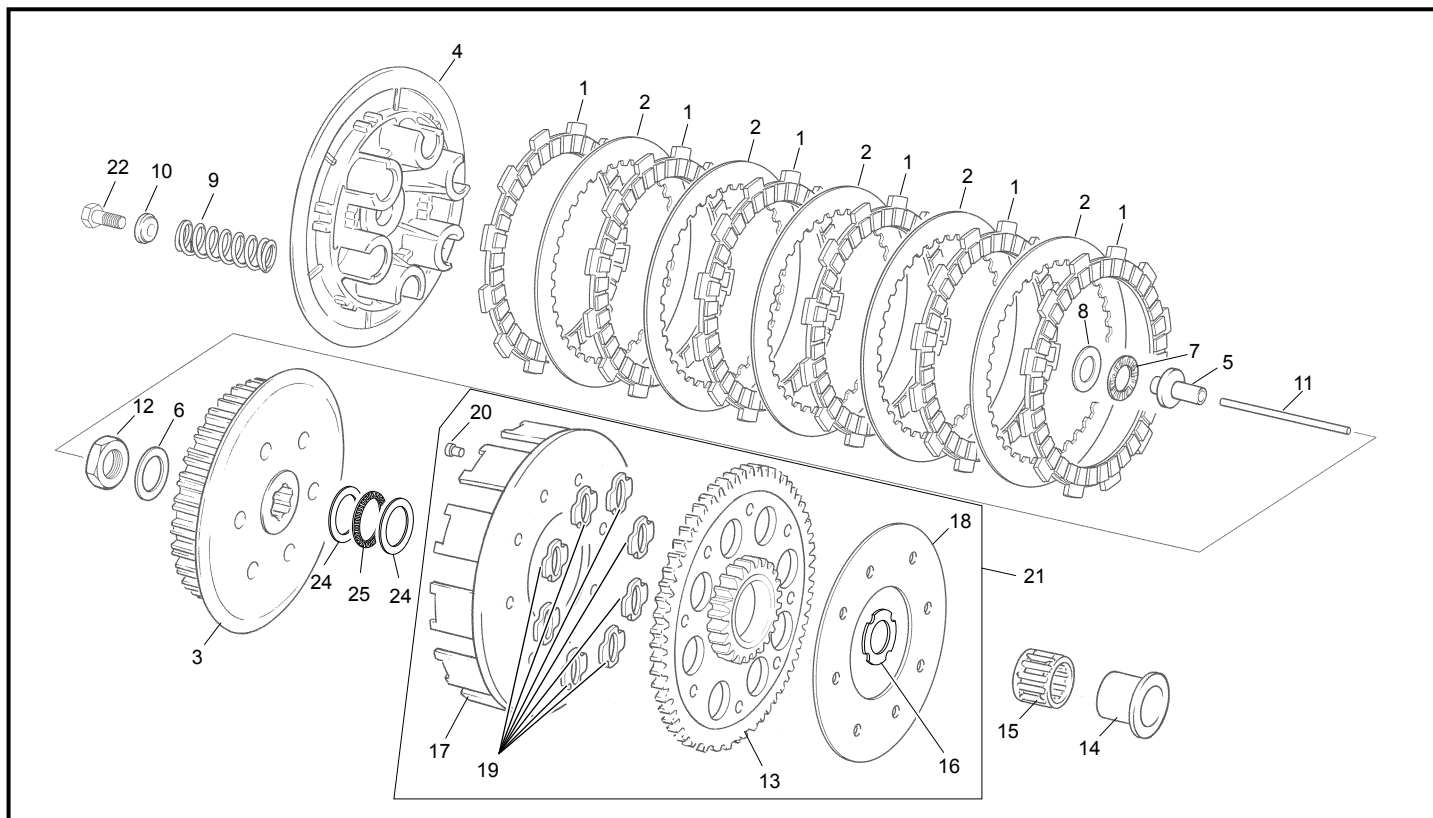
| POS. | 2.5 | 2.9 | 3.0 | FRANÇAIS | ENGLISH | ESPAÑOL |
|------|-------|-------|-------|---|--------------------------------------|---|
| 1 | 3142 | 3142 | 3142 | CARTER ALLUMAGE 09 NOIR | IGNITION COVER 09 BLACK | TAPA ENCENDIDO 09 NEGRA |
| 2 | 3129 | 3129 | 3129 | CARTERS CENTRAUX 125 TR 09 NOIR | CRANKCASES SET 125 TR 09 | CÁRTERS CENTRALES 125 TR 09 NEGRO |
| 3 | 3130 | 3130 | 3130 | CARTER LATÉRAL DROITE NOIR TR | BOTTOM CLUTCH COVER BLACK TR | CÁRTER LATÉRAL DERECHO NEGRO TR |
| 4 | 4438 | 4438 | 4438 | COUVERCLE EMBRAYAGE TR NOIRE CABESTANY 2012 | CLUTCH COVER TR BLACK CABESTANY 2012 | TAPETA EMBRAGUE TR NEGRA CABESTANY 2012 |
| 5 | 4540 | 4540 | 4540 | COUVERCLE POMPE EAU NOIRE TR | WATER PUMP COVER BLACK TR | TAPA BOMBA AGUA NEGRA TR |
| 6 | M016 | M016 | M016 | RENIFLAR CARTER CENTRAL | AIR VENT CRANKCASES | DEPRESOR CARTERS |
| 7 | 4544 | 4544 | 4544 | BOUCHON REMPLISSAGE HUILE NOIR | CARTER FILTER TAP BLACK | TAPÓN LLENADO ACEITE CARTER NEGRO |
| 8 | M022 | M022 | M022 | DOUILLE CENTRAGE CARTER | DOUILLE CENTRAGE CARTER | CASQUILLO CENTRADOR CARTER |
| 9 | M363 | M363 | M363 | AXE POMPE EAU EVOLUTION 3 | WATER PUMP AXELE EVOLUTION 3 | EJE BOMBA AGUA EVOLUTION 3 |
| 10 | M351 | M351 | M351 | TURBINE POMPE EAU EVOLUTION 2 | WATERPUMP TURBINE EVOLUTION 2 | TURBINA BOMBA AGUA EVOLUTION 2 |
| 11 | 3133 | 3133 | 3133 | JOINT TORIQUE COUVERCLE POMPE 37X2 | O-RING WATER PUMP COVER 37X2 | JUNTA TÓRICA TAPA BOMBA AGUA 37X2 |
| 12 | 3158 | 3158 | 3158 | JOINT TORIQUE COUVERCLE ALLUMAGE 144X2 | O-RING IGNITION COVER 144X2 | JUNTA TÓRICA TAPA ENCENDIDO 144X2 |
| 13 | 3134 | 3134 | 3134 | JOINT CARTER CENTRAL 125/200CC | CENTRAL CRANKCASE GASKET 125/200CC | JUNTA CARTER CENTRAL 125/200CC |
| 14 | 3135 | 3135 | 3135 | JOINT CARTER LATÉRAL | CLUTCH GASKET | JUNTA CARTER LATÉRAL |
| 15 | 3141 | 3141 | 3141 | JOINT TORIQUE 156 X2 | O-RING 155X2 | JUNTA TÓRICA 155X2 |
| 16 | M162 | M162 | M162 | TORIQUE 10X2.5 BOUCHON HUILE | O-RING 10X2.5 OIL PLUG | TÓRICA 10X2.5 TAPÓN ACEITE |
| 17 | M017 | M017 | M017 | DURITE RENIFLARD 3X5 | TUBE AIR VENT CRANKCASES 3X5 | TUBO DEPRESOR 3X5 |
| 19 | 3128 | 3128 | 3128 | JOINT DOUBLE LEVRES 17X24X5 | OIL SEAL 17X24X5 | RETÉN DOBLE LABIO 17X24X5 |
| 21 | M364 | M364 | M364 | PIGNON POMPE EAU NYLON | PINIO WATER PUMP NYLON | PIÑÓN BOMBA AGUA NYLON |
| 22 | 0549 | 0549 | 0549 | VIS TH EP 6 X 45 | SCREW TH EP 6 X 45 | TORNILLO TH EP 6 X 45 |
| 23 | 3235 | 3235 | 3235 | VIS TH EP 6 X 50 | SCREW TH EP M6 X50 | TORNILLO TH EP M6 X50 |
| 25 | 3269 | 3269 | 3269 | VIS CHC 5 X 20 0084 | SCREW CHC 5 X 20 | TORNILLO 5 X 20 ALLEN |
| 26 | M291 | M291 | M291 | GOUJON DE CYLINDRE 8 X 46 | STUD CYLINDRE 8 X 46 | ESPARRAGO CILINDRO 8 X 46 |
| 27 | 2386 | 2386 | 2386 | BOUCHON CANALISATION HUILE 6X8 | LUBRICATION CAP 6X8 | TAPA CANALIZACIÓN 6X8 |
| 28 | M029 | M029 | M029 | ROULEMENT AIGUILLE POMPE EAU HK0808 | WATER PUMP NEEDLE BEARING HK 0808 | COJINETE AGUJAS BOMBA AGUA HK 0808 |
| 29 | M030 | M030 | M030 | RONDELLE BUTEE POMPE A EAU 8X16X1 | WATERPUMP BUSH 8X16X1 | ARANDELA BOMBA AGUA 8X16X1 |
| 30 | M288 | M288 | M288 | VIS CHC 5X6 1093 | SCREW CHC 5X6 | TORNILLO CHC 5X6 |
| 31 | M027 | M027 | M027 | ROULEMENT BILLE POMPE EAU 608.2RSH | WATER PUMP BEARING 608.2RSH | COJINETE BOMBA AGUA 608.2RSH |
| 32 | M031 | M031 | M031 | JOINT POMPE A EAU 8X20X5DL | WATER PUMP SEAL 8X20X5DL | RETÉN BOMBA AGUA 8X20X5DL |
| 33 | 3143 | 3143 | 3143 | RACCORD DURITE CARTER RADIATEUR 11 | WATER CONEXION 11 | CONECTOR TUBO AGUA CÁRTER A RADIADOR 11 |
| 35 | M277 | M277 | M277 | RONDELLE ALU M5 0463 5X10 | GASKET RING X5 | ARANDELA ALUMINIO X5 |
| 36 | 0550 | 0550 | 0550 | VIS TH EP 6 X 55 | SCREW TH EP 6 X 55 | TORNILLO TH EP 6 X 55 |
| 37 | 0970 | 0970 | 0970 | VIS TH EP 6 X 25 | SCREW TH EP M6 X 25 | TORNILLO TH EP M6 X 25 |
| 38 | 0546 | 0546 | 0546 | VIS TH EP 6 X 20 | SCREW TH EP 6 X 20 | TORNILLO TH EP 6 X 20 |
| 39 | ----- | ----- | ----- | RIVET CARTER CENTRAL CIRCUIT HUILE | CRANKCASE RIVET | REMACHE CÁRTER CENTRAL |
| 40 | 2868 | 2868 | 2868 | CONEXION PIPE ADMISION | CONEXION PIPE ADMISION | RACORD TOBERA CAJA LAMINAS |

Villebrequin assemble / Crankshaft assembly / Cigüeñal biela



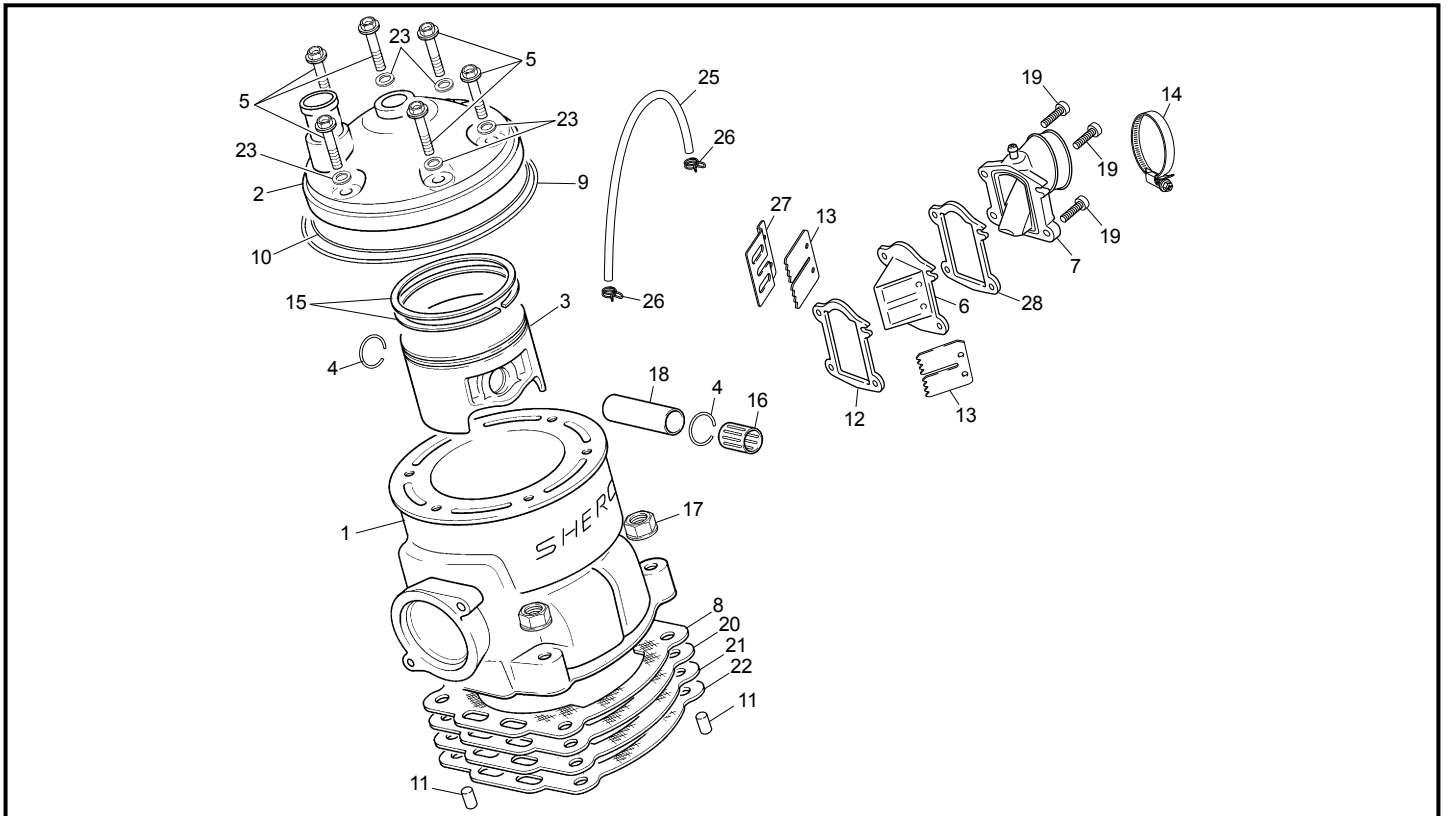
| POS. | 2.5 | 2.9 | 3.0 | FRANÇAIS | ENGLISH | ESPAÑOL |
|------|------|------|------|--|------------------------------|--------------------------------------|
| 1 | 3152 | 3152 | 3152 | VILEBREQUIN COMPLET 125/200CC | CRANCK SHAFT 125/200CC | CIGUENAL COMPLETO 125/200CC |
| 2 | M200 | M200 | M200 | PIGNON PRIMAIRE | PINION PRIMARY DRIVE | PIÑÓN PRIMARIA |
| 3 | M204 | M204 | M204 | CLAVETTE PIGNON PRIMAIRE | WOODRUFF KEY PRIMARY DRIVE | CHAVETA PINON PRIMARIA |
| 4 | R021 | R021 | R021 | KIT BIELLE 125/200 | ROD KIT 125/200 | KIT BIELA 125/200 |
| 5 | M023 | M023 | M023 | CLAVETTE DEMI LUNE VILO | WOODRUFF KEY | CHAVETA ENCENDIDO |
| 6 | M032 | M032 | M032 | JOINT 25 X 35 X 7 DL VILO 125/200CC | CRANKSHAFT SEAL 125/200CC | RETÉN 25 X 35 X 7 DL CIGUE 125/200CC |
| 7 | M028 | M028 | M028 | ROULEMENT 6205 2RSHTN9/C4 VILO 125/200CC | CRANKSHAFT BEARING 125/200CC | RODAMIENTO CIGUENAL 125/200CC |
| 8 | M206 | M206 | M206 | RONDELLE BELLEVILLE 14.2X28X1.5 REF0887 | SPRING WASHER | ARANDELA CÓNICA 14.2,28X1.5 |
| 9 | M295 | M295 | M295 | ECROU 14 X 125 | HEX NUT M14 X 125 | TUERCA M14 X 125 |
| 10 | C309 | C309 | C309 | BOUCHON PLASTIC DE VILO 2002 | HANDCRAFT PLASTIC PLUG 2001 | TAPÓN INTERNO DE CIGUENAL 2001 |
| 11 | 3144 | 3144 | 3144 | ECROU 14 X 125 | HEX NUT M14 X 125 | TUERCA M14 X 125 |

Embrayage / Clutch / Embrague



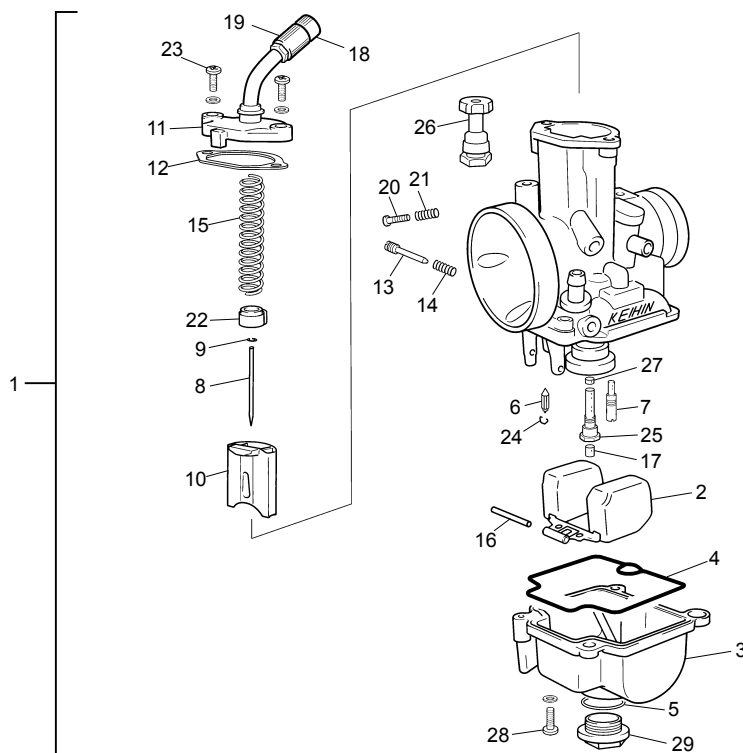
| POS. | 2.5 | 2.9 | 3.0 | FRANÇAIS | ENGLISH | ESPAÑOL |
|------|------|------|------|---|---------------------------------------|--|
| 1 | M080 | M080 | M080 | DISQUE GARNI | FRICTION CLUTCH DISK | DISCO EMBRAGUE FORRADO |
| 2 | M081 | M081 | M081 | DISQUE LISSE | METAL CLUTCH DISK | DISCO EMBRAGUE METALICO |
| 3 | 4100 | 4100 | 4100 | NOYAU POUR ROULEMENT | CLUTCH HUB FOR BEARING | CUBO EMBRAGUE PARA RODAMIENTO |
| 4 | M084 | M084 | M084 | PLATEAU | CLUTCH SPRING HOLDER | PLATO EMBRAGUE |
| 5 | M085 | M085 | M085 | POUSSOIR AXIAL | CLUTCH PULLER | PULSADOR AXIAL |
| 6 | M087 | M087 | M087 | RONDELLE BELLEVILLE 16.3X31.5X2 | FIXING BUSH 16.3X31.5X1.5 | ARANDELLA FIJACIÓN 16.3X31.5X1.5 |
| 7 | M090 | M090 | M090 | BUTEE AIGUILLE EMBAXK1226A | CLUTCH BEARING | CORONA AXIAL AGUJAS AXK1226A |
| 8 | M091 | M091 | M091 | RONDELLE BUTEE AS12.26.1 | WASHER AS 12.26.1 | ARANDELA AS 12.26.1 |
| 9 | M092 | M092 | M092 | RESSORT EMB | CLUTCH SPRING | MUELLE EMBRAGUE |
| 10 | M093 | M093 | M093 | RONDELLE EMB | CLUTCH WASHER FOR SPRING | ARANDELA EMBRAGUE EMBOUTIDA |
| 11 | M086 | M086 | M086 | TIGE DE POUSSEE | CLUTCH SPINDLE | VARILLA EMBRAGUE |
| 12 | M293 | M293 | M293 | ECROU NOYAU EMB M16X125 | HEX NUT CLUTCH M16X125 | TUERCA CUBO EMBRAGUE M16 X125 |
| 13 | M201 | M201 | M201 | ROUE PRIMAIRE | WHEEL PRIMARY DRIVE | RUEDA PRIMARIA |
| 14 | M203 | M203 | M203 | DOUILLE ROUE PRIMAIRE | SPACER PRIMARY DRIVE | CASQUILLO RUEDA PRIMARIA |
| 15 | M205 | M205 | M205 | CAGE A AIGUILLE 25X33X24 | NEEDLE BEARING 25X33X24 | JAULA AGUJAS 25X33X24 |
| 16 | 4259 | 4259 | 4259 | RONDELLE CANELE 20.2 X 32 X 1 | WASHER SPECIAL 20.2 X 32 X 1 | ARANDELA ACANALADA 20.2 X 32 X 1 |
| 17 | 4099 | 4099 | 4099 | ROUE TRANS PRIMAIRE ASSEMBLE AVEC ROULEMENT | PRIMARY DRIVE CLUTCH WITH BEARING | CTO. RUEDA DE TRANS. PRIMARIA CON RODAMIENTO |
| 18 | M359 | M359 | M359 | PLATEAU METAL TP | STEEL DISK CLUTCH | DISCO ACERO EMBRAGUE |
| 19 | M358 | M358 | M358 | SILENBLOC EMBRAYAGE | CLUTCH SILENBLOC | SILENBLOC EMBRAGUE |
| 20 | M270 | M270 | M270 | RIVET 4 X 16 | RIVET 4 X 16 | REMACHE 4 X 16 |
| 21 | M360 | M360 | M360 | ROUE TRANS PRIMAIRE ASSEMBLE 2001 | PRIMARY DRIVE CLUTCH 2001 | CTO. RUEDA DE TRANSMISSION PRIMARIA 2001 |
| 22 | M094 | M094 | M094 | VIS EMB | SCREW CLUTCH SPRING | TORNILLOS MUELLE EMBRAGUE |
| 24 | 4257 | 4257 | 4257 | RONDELLE INA AS 35.3 X 56.7 X 1 UNIDAD | WASHER INA AS 35.3 X 56.7 X 1 UNITARY | ARANDELA INA AS 35.3 X 56.7 X 1 UNITAIRE |
| 25 | 4258 | 4258 | 4258 | ROULEMENT AIGUILLE AXIAL AXK 3552 | CON ROD NEEDLE AXIAL AXK 3552 | COJINETE AGUJAS AXIAL AXK 3552 |

Cylindre / Cylinder / Cilindro

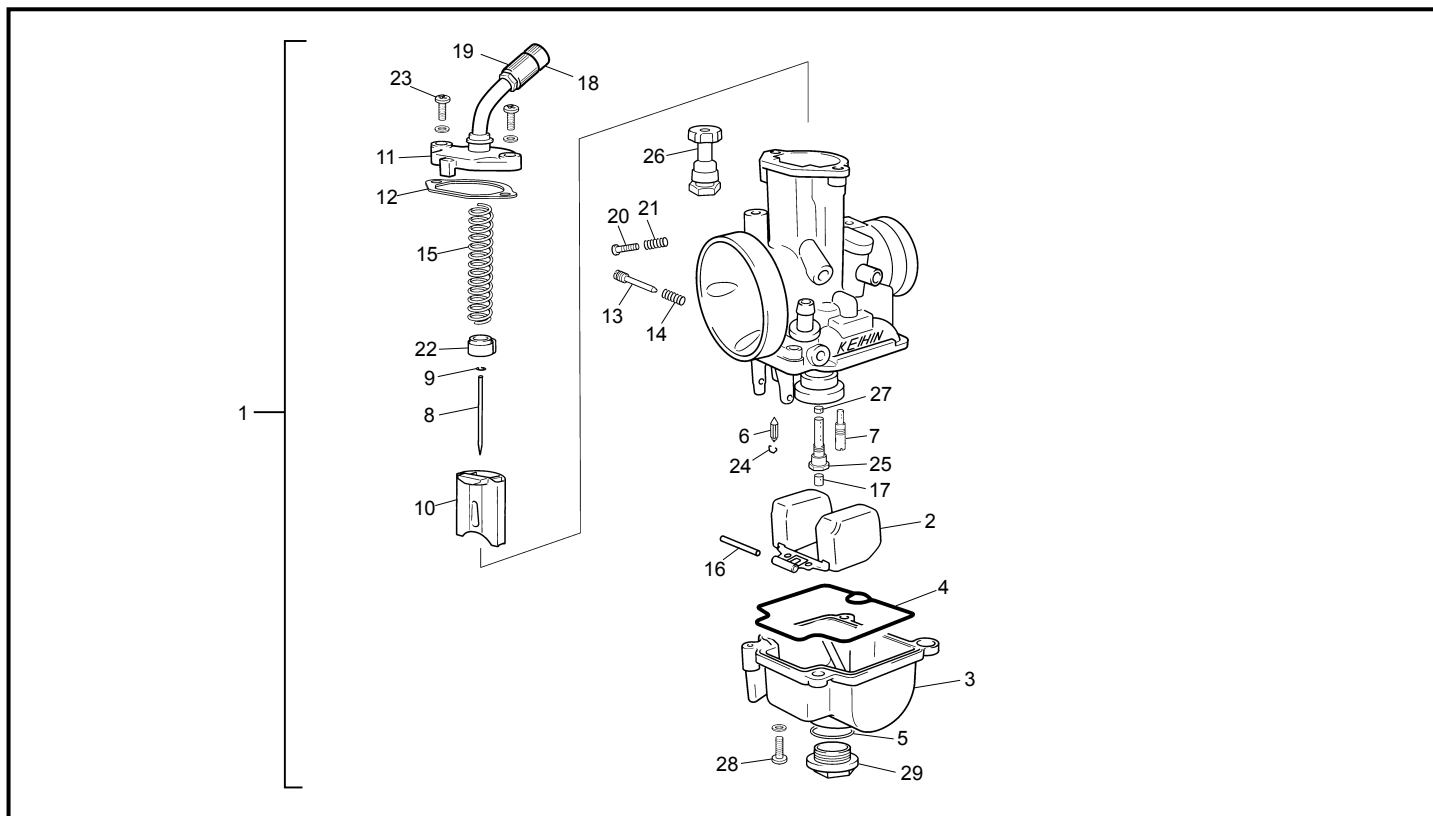


| POS. | 2.5 | 2.9 | 3.0 | FRANÇAIS | ENGLISH | ESPAÑOL |
|------|------|------|------|---|--|--|
| 1 | 3123 | 3138 | 3217 | CYLINDRE | CYLINDER | CILINDRO |
| 2 | 4600 | 4546 | 4604 | CULASSE | CYLINDER | CULATA |
| 3 | M009 | 4739 | 3218 | PISTON CPL TR -A- | PISTON CPL TR -A- | PISTÓN CPL TRIAL -A- |
| 3 | M586 | M589 | 3339 | PISTON CPL TR -B- | PISTON CPL TR -B- | PISTÓN CPL TRIAL -B- |
| 3 | M587 | M590 | ---- | PISTON CPL TR -C- | PISTON CPL TR -C- | PISTÓN CPL TRIAL -C- |
| 3 | M588 | M591 | ---- | PISTON CPL TR -D- | PISTON CPL TR -D- | PISTÓN CPL TRIAL -D- |
| 4 | R218 | R218 | R218 | CIRCLIP PISTON | PISTON CIRCLIP | SERCLIP PISTÓN |
| 5 | 0547 | 0547 | 0547 | VIS TH EP 6 X 30 | SCREW TH EP 6 X 30 | TORNILLO TH EP 6 X 30 |
| 6 | 3125 | 3125 | 3125 | BOITE CLAPET 80 -125 TRIAL | REEDS CASE 80-125 TRIAL | CAJA LAMINAS 80-125 TRIAL |
| 7 | 3154 | 3593 | 3593 | PIPE ADMISSION | ADMISSION PIPE | TUBERA ADMISIÓN |
| 8 | 3025 | 3025 | 3025 | JOINT EMBASE CYLINDRE 125/200CC | CYLINDER GASKET 125/200CC | JUNTA CILINDRO 125/200CC |
| 9 | M038 | M038 | M038 | JOINT TORIQUE CULASSE 105 X 109 X 2 VITON | CYLINDER HEAD O-RING 105 X 109 X 2 VITON | JUNTA TÓRICA CULATA 105 X 109 X 2 VITON |
| 10 | M039 | M039 | M039 | JOINT TORIQUE CULASSE 80 X 84 X 2 VITON | CYLINDER HEAD O-RING 80 X 84 X 2 VITON | JUNTA TÓRICA CULATA 80 X 84 X 2 VITON |
| 11 | 0200 | 0200 | 0200 | JOINT TORIQUE CYLINDRE 5,60 X 9,20 X 1,80 | CYLINDER O-RING BOLT 5,60 X 9,20 X 1,80 | JUNTA TÓRICA CILINDRO 5,60 X 9,20 X 1,80 |
| 12 | 5045 | 5045 | 5045 | JOINT BOITE CLAPET NRB 2mm | REEDS CASE GASKET NRB 2mm | JUNTA CAJA LAMINAS NRB 2mm |
| 13 | R022 | R022 | R022 | CLAPET ADMISSION 80 TRIAL | ADMISSION CLAPET 80 TRIAL | LAMINAS ADMISIÓN 80 TRIAL |
| 14 | 3287 | 3287 | 3287 | COLLIER NORMA 32/50 | COLLARD NORMA 32/50 | ABRAZADERA NORMA 32/50 |
| 15 | R442 | R215 | R215 | JEUX SEGMENTS | PISTON RINGS -SET- | JUEGO AROS |
| 16 | M248 | M248 | M248 | CAGE AIGUILLE PISTON 125 KBK 16X20X20 | NEEDLE BEARING KBK 125 16X20X20 | JAULA AGUJAS PIÑÓN 125 KBK 16X20X20 |
| 17 | M272 | M272 | M272 | ECROU EMBASE X8 0692 | COLLAR HEX NUT M8 | TUERCA CON VÁLVULA M8 |
| 18 | R013 | R221 | R221 | AXE PISTON | PISTON PIN | BULÓN PIÑÓN |
| 19 | 3269 | 3269 | 3269 | VIS CHC 6 X 20 0084 | SCREW CHC 6 X 20 | TORNILLO 6 X 20 DIN 912 |
| 20 | 3189 | 3189 | 3189 | JOINT EMBASE CYLINDRE 0,20. 125/200CC | CYLINDER GASKET 0,20. 125/200CC | JUNTA CILINDRO 0,20. 125/200CC |
| 21 | 3190 | 3190 | 3190 | JOINT EMBASE CYLINDRE 0,30. 125/200CC | CYLINDER GASKET 0,30. 125/200CC | JUNTA CILINDRO 0,30. 125/200CC |
| 22 | 3191 | 3191 | 3191 | JOINT EMBASE CYLINDRE 0,40 125/200CC | CYLINDER GASKET 0,40 125/200CC | JUNTA CILINDRO 0,40 125/200CC |
| 23 | 2390 | 2390 | 2390 | RONDELLE CUIVRE 6X12X1,5 | WASHER COOPER 6X12X1,5 | ARANDELA COBRE 6X12X1,5 |
| 25 | 4408 | 4408 | 4408 | DURITE IMPULSION POMPE | RUBBER IMPULSION POMP | MANGUITO PULSACIÓN BOMBA |
| 26 | 2846 | 2846 | 2846 | COLLIER DURITE ESSENCE | COLLARD PETROL PIPE | ABRAZADERA TUBO GASOLINA |
| 27 | 3394 | 3394 | 3394 | RAYON L.MINI 35.5X3.5 COTE COURONE NOIR | SPOCKE L.MINI 35.5X3.5 SIDE TRANS BLACK | RÁDIO L.MINI 35.5X3.5 LADO CORONA NEGRO |
| 28 | NEW | NEW | NEW | JOINT BOITE CLAPET | REEDS CASE GASKET | JUNTA CAJA LAMINAS |

Carburateur / Carburetor / Carburador KEIHIN

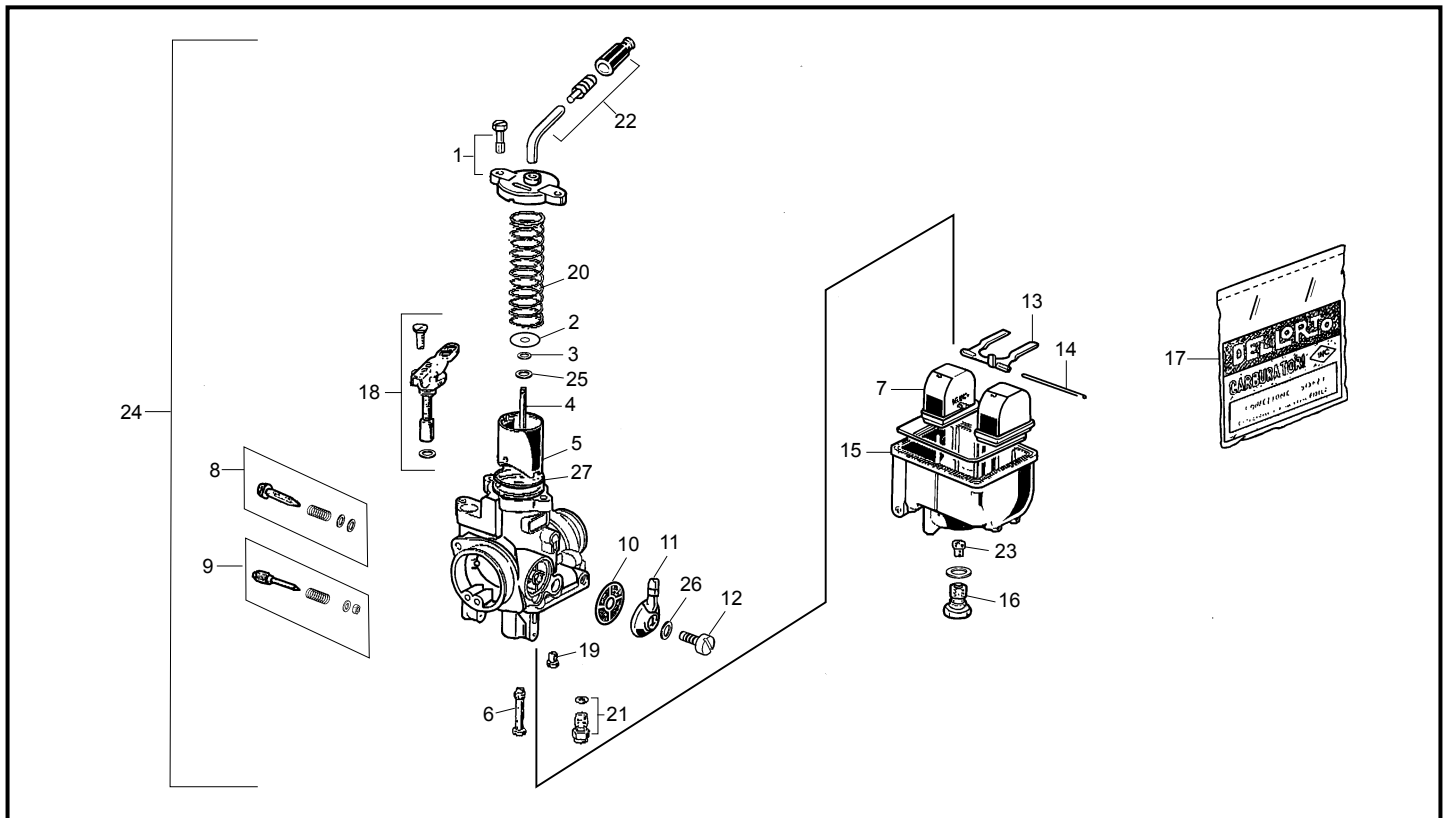


| POS. | 2.5 | 2.9 | 3.0 | FRANÇAIS | ENGLISH | ESPAÑOL |
|------|------|------|------|--|--|---------------------------------------|
| 1 | ---- | 1123 | 1123 | CARBURATEUR KEIHIN TRIAL 2T | CARBURETOR KEIHIN TRIAL 2T | CARBURADOR KEIHIN TRIAL 2T |
| 2 | ---- | 1330 | 1330 | FLOTEUR DE CARBU KEIHIN | CARBURATOR FLOTEUR KEIHIN | BOYA CARBURADOR KEIHIN |
| 3 | ---- | 1331 | 1331 | CUVE CARBURATEUR KEIHIN | CARBURATOR CUVE KEIHIN | CUBA CARBURADOR KEIHIN |
| 4 | ---- | 1333 | 1333 | VIS FIXATION CUVE KEIHIN | SCREW FIXATION CUVE KEIHIN | TORNILLO CUBA CARBURADOR KEIHIN |
| 5 | ---- | 1334 | 1334 | JOINT TORIQUE CUVE | O-RING FLOAT | TÓRICA CUBETA |
| 6 | ---- | 1335 | 1335 | POINTEAU CARBU KEIHIN | POINTEAU CARBU KEIHIN | VÁLVULA AGUJA KEIHIN |
| 7 | ---- | 1327 | 1327 | GICLEUR RALENTI 50 KEIHIN | PILOT JET 50 KEIHIN | CHICLE RALENTÍ 50 KEIHIN |
| 7 | ---- | 1336 | 1336 | GICLEUR RALENTI 45 KEIHIN | PILOT JET 45 KEIHIN | CHICLE RALENTÍ 45KEIHIN |
| 7 | ---- | 1337 | 1337 | GICLEUR RALENTI 52 KEIHIN | PILOT JET 52 KEIHIN | CHICLE RALENTÍ 52 KEIHIN |
| 7 | ---- | 1338 | 1338 | GICLEUR RALENTI 55 KEIHIN | PILOT JET 55 KEIHIN | CHICLE RALENTÍ 55 KEIHIN |
| 7 | ---- | 1339 | 1339 | GICLEUR RALENTI 48 KEIHIN | PILOT JET 48 KEIHIN | CHICLE RALENTÍ 48 KEIHIN |
| 7 | ---- | 1403 | 1403 | GICLEUR RALENTI 42 KEIHIN | PILOT JET 42 KEIHIN | CHICLE RALENTÍ 42 KEIHIN |
| 8 | ---- | 1340 | 1340 | AIGUILLE CARBU KEIHIN JFH | AIGUILLE CARBU JFH | AGUJA CARBURADOR JFH |
| 8 | ---- | 1341 | 1341 | AIGUILLE CARBU KEIHIN JJH | AIGUILLE CARBU JJH | AGUJA CARBURADOR JJH |
| 9 | ---- | 1342 | 1342 | CLIP AIGUILLE CARBU KEIHIN | CLIP AIGUILLE CARBU KEIHIN | CLIP AGUJA CARBURADOR KEIHIN |
| 10 | ---- | 1326 | 1326 | BOISSEAU KEIHIN 3,5 | CARBURATOR VALVE KEIHIN 3,5 | CAMPANA KEIHIN 3,5 |
| 10 | ---- | 1343 | 1343 | BOISSEAU KEIHIN 4,0 | CARBURATOR VALVE KEIHIN 4,0 | CAMPANA KEIHIN 4.0 |
| 11 | ---- | 1344 | 1344 | COUVERCLE BOISSEAU KEIHIN | CARBURATOR COVER KEIHIN | TAPA CARBURADOR KEIHIN |
| 12 | ---- | 1345 | 1345 | COUVERCLE BOISSEAU GASKETKEIHIN | JOINT COVER KEIHIN | JUNTA TAPA CARBURADOR KEIHIN |
| 13 | ---- | 1346 | 1346 | VIS REGUL ESSENCE CARBU KEIHIN | SCREW REGUL PETROL CARBU KEIHIN | TORNILLO AIRE KEIHIN |
| 14 | ---- | 1347 | 1347 | RESSORT VIS ESSENCE CARBU KEIHIN | SPRING SCREW REGUL PETROL CARBU KEIHIN | MUELLE TORNILLO AIRE KEIHIN |
| 15 | ---- | 1348 | 1348 | RESSORT CARBURATEUR 82 X 12,8 SPS | SPRING CARBURATOR 82 X 12,8 SPS | MUELLE CARBURADOR 82 X 12,8 SPS |
| 16 | ---- | 1351 | 1351 | AXE BALANCIER FLOTEUR CARBU KEIHIN | PIN BALANCIER FLOTEUR CARBU KEIHIN | EJE BALANCIER FLOTADOR CARBU KEIHIN |
| 17 | ---- | 1248 | 1248 | GICLEUR PRINCIPAL 122KEIHIN | MAIN JET 122 KEIHIN | CHICLE PRINCIPAL 122 KEIHIN |
| 17 | ---- | 1347 | 1347 | RESSORT VIS ESSENCE CARBU KEIHIN | SPRING SCREW REGUL PETROL CARBU KEIHIN | MUELLE TORNILLO AIRE KEIHIN |
| 17 | ---- | 1352 | 1352 | GICLEUR PRINCIPAL 118 KEIHIN | MAIN JET 118 KEIHIN | CHICLE PRINCIPAL 118 KEIHIN |
| 17 | ---- | 1353 | 1353 | GICLEUR PRINCIPAL 120KEIHIN | MAIN JET 120 KEIHIN | CHICLE PRINCIPAL 120 KEIHIN |
| 17 | ---- | 1402 | 1402 | GICLEUR PRINCIPAL 115 KEIHIN | MAIN JET 115 KEIHIN | CHICLE PRINCIPAL 115KEIHIN |
| 18 | ---- | 1354 | 1354 | ADAPTE CÂBLE KEIHIN | CABLE ADJUSTING BOLT KEIHIN | AJUSTE CABLE GAS KEIHIN |
| 19 | ---- | 1355 | 1355 | ECROU ADAPTE CÂBLE KEIHIN | NUT CABLE ADJUSTING BOLT KEIHIN | TUERCA AJUSTE CABLE GAS KEIHIN |
| 20 | ---- | 1356 | 1356 | VIS REGUL GAS CARBU KEIHIN | KIT SCREW REGUL GAS KEIHIN | TORNILLO RALENTÍ KEIHIN |
| 21 | ---- | 1357 | 1357 | RESSORT VIS REGUL GAS CARBU KEIHIN | SPRING SCREW REGUL GAS KEIHIN | MUELLE TORNILLO RALENTI KEIHIN |
| 22 | ---- | 1358 | 1358 | DOUILLE NYLON RESOT GAZ | FOOTREST NYLON GAS | CASQUILLO NYLON MUELLE KEIHIN |
| 23 | ---- | 1359 | 1359 | VIS FIXATION COUVERCLE BOISSEUR KEIHIN | SCRE COVER KEIHIN | TORNILLO FIJACIÓN TAPA CAMPANA KEIHIN |

Carburateur / Carburetor / Carburador KEIHIN


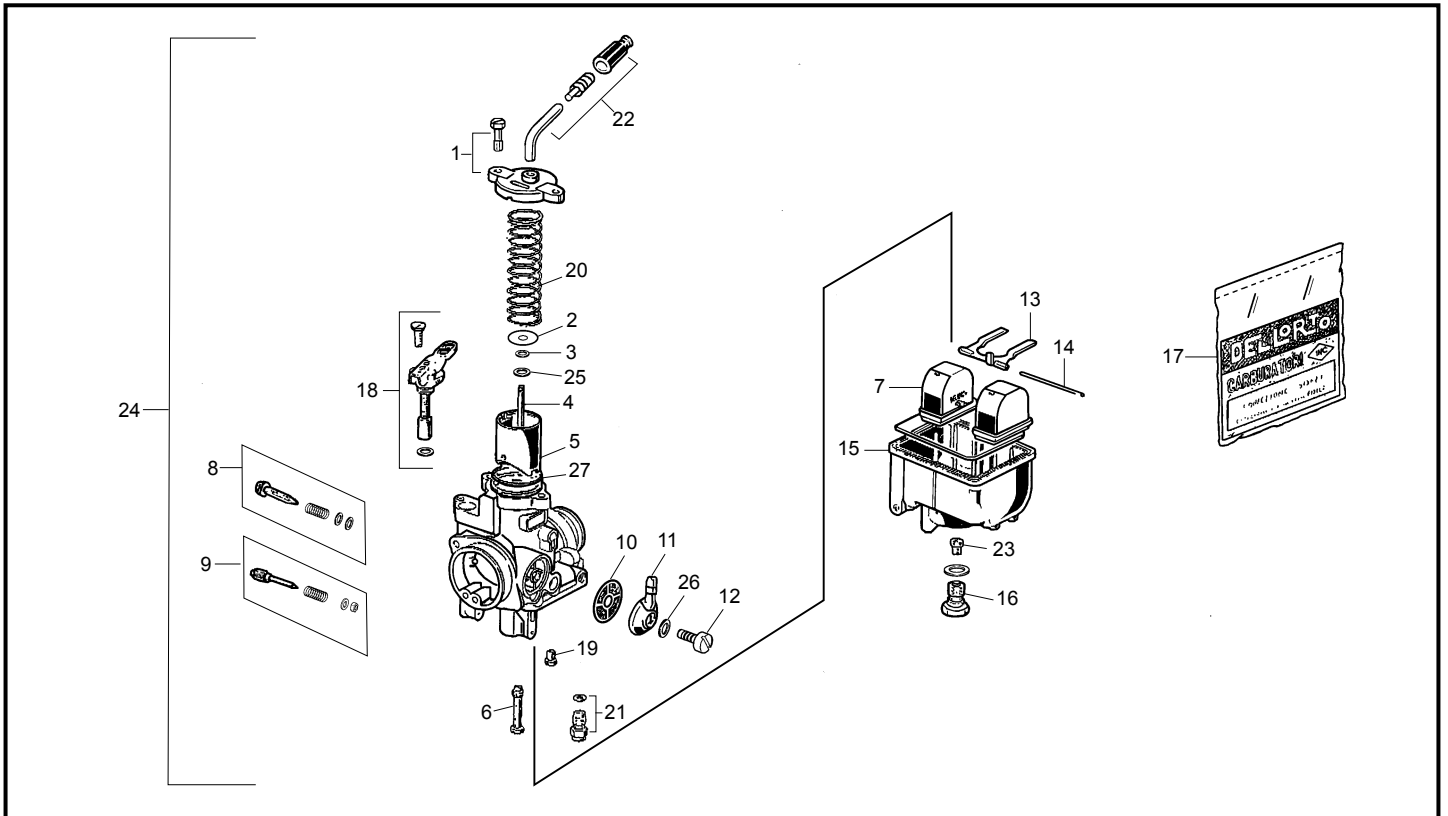
| POS. | 2.5 | 2.9 | 3.0 | FRANÇAIS | ENGLISH | ESPAÑOL |
|------|------|------|------|------------------------------|------------------------------|-------------------------------|
| 24 | ---- | 1349 | 1349 | CLIP VALVE KEIHIN | CLIP FLOAT VALVE KEIHIN | CLIP VÁLVULA KEIHIN |
| 25 | ---- | 1360 | 1360 | NEEDLE JET KEIHIN | NEEDLE JET KEIHIN | NEEDLE JET KEIHIN |
| 26 | ---- | 1329 | 1329 | GROUPE STARTER KEIHIN | CHOKE SET REPLACEMENT KEIHIN | CTO. STARTER RECAMBIO KEIHIN |
| 27 | ---- | 1361 | 1361 | NEEDLE JET HOLDER KEIHIN | NEEDLE JET HOLDER KEIHIN | NEEDLE JET HOLDER KEIHIN |
| 28 | ---- | 1350 | 1350 | VIS FIXATION CUVE KEIHIN | SCRE WFLOT KHEIHIN | TORNILLO FIJACIÓN CUBA KEIHIN |
| 29 | ---- | 1332 | 1332 | JOINT CUVE CARBURETOR KEIHIN | FLOT CHAMBER GASKET | JUNTA CUBA CARBURADOR KEIHIN |

Carburateur / Carburetor / Carburador Ø26



| POS. | 2.5 | 2.9 | 3.0 | FRANÇAIS | ENGLISH | ESPAÑOL |
|------|------|------|------|--|------------------------------------|--------------------------------------|
| 1 | R369 | ---- | ---- | KIT COUVERCLE BOISSEAU | CARBURATOR COVER | TAPA CARBURADOR |
| 2 | R370 | ---- | ---- | PLATINE DE RESSORT CARBU | CARBURATOR WASHER SPRING | ARANDELA TOPE AGUJA |
| 3 | R371 | ---- | ---- | CLIP AIGUILLE CARBU | CLIP AIGUILLE CARBU | CLIP AGUJA CARBURADOR |
| 4 | R372 | ---- | ---- | AIGUILLE CARBU | AIGUILLE CARBU | AGUJA CARBURADOR |
| 5 | R373 | ---- | ---- | BOISSEAU | CARBURATOR VALVE | CAMPANA |
| 6 | R374 | ---- | ---- | PULVERISATEUR CARBU 270 | CARBURATOR PULVERISATEUR 270 | PULVERIZADOR CARBURADOR 270 |
| 7 | R375 | ---- | ---- | FLOTEUR DE CARBU | CARBURATOR FLOTEUR | BOYA CARBURADOR |
| 8 | R376 | ---- | ---- | KIT VIS REGUL GAS CARBU | KIT SCREW REGUL GAS | TORNILLO RALENTÍ |
| 9 | R377 | ---- | ---- | KIT VIS REGUL ESSENCE CARBU | SCREW REGUL PETROL CARBU | TORNILLO AIRE |
| 10 | R378 | ---- | ---- | FILTRE ESS CARBU | PETROL FILTER CARBU | FILTRO GASOLINA CARBURADOR |
| 11 | R379 | ---- | ---- | PIPETTE RACCORD TUBE ESS CARBU | CARBURATOR CONEXION PETROL TUB | PIPETA TUBO GASOLINA CARBURADOR |
| 12 | R380 | ---- | ---- | VIS PIPETTE CARBU | SCREW CONEXION PETROL TUB | TORNILLO PIPETA |
| 13 | R381 | ---- | ---- | BALANCIER DE FLOTEUR CARBU COMPATIBLE | BALANCIER FLOTEUR CARBU COMPATIBLE | BALANCIÓN BOYA CARBURADOR COMPATIBLE |
| 14 | R382 | ---- | ---- | AXE BALANCIER FLOTEUR CARBU | PIN BALANCIER FLOTEUR CARBU | EJE BALANCIÓN FLOTADOR CARBURADOR |
| 15 | R383 | ---- | ---- | CUVE CARBURATEUR | CARBURATORCUVE | CUBA CARBURADOR |
| 16 | R384 | ---- | ---- | VIS FIXATION CUVE | SCREW FIXATION CUVE | TORNILLO CUBA CARBURADOR |
| 17 | R385 | ---- | ---- | OBSOLETO VER R169 KIT JOINT CARBURATEUR 4T | CARBURATOR KIT SEEL 4T | KIT JUNTAS CARBURADOR 4T |
| 18 | R147 | ---- | ---- | GROUPE STARTER | CHOKE SET REPLACEMENT | CTO. STÁRTER RECAMBIO |
| 19 | R140 | ---- | ---- | GICLEUR RALENTI 30 | PILOT JET 30 | CHICLE RALENTÍ 30 |
| 19 | R142 | ---- | ---- | GICLEUR RALENTI 32 | PILOT JET 32 | CHICLE RALENTÍ 32 |
| 19 | R143 | ---- | ---- | GICLEUR RALENTI 33 | PILOT JET33 | CHICLE RALENTÍ 33 |
| 19 | R144 | ---- | ---- | GICLEUR RALENTI 34 | PILOT JET 34 | CHICLE RALENTÍ 34 |
| 19 | R145 | ---- | ---- | GICLEUR RALENTI 35 | PILOT JET 35 | CHICLE RALENTÍ 35 |
| 19 | R146 | ---- | ---- | GICLEUR RALENTI 36 | PILOT JET 36 | CHICLE RALENTÍ 36 |
| 20 | M044 | ---- | ---- | RESSORT CARBURATEUR | SPRING CARBURETOR | MUELLE CARBURADOR |
| 21 | 2389 | ---- | ---- | POINTEAU CARBU 33 | POINTEAU CARBU 33 | VÁLVULA AGUJA 33 |
| 22 | R237 | ---- | ---- | KIT TUBE CARBURATEUR | KIT TUB CARBURATEUR | CURVA GUÍA CABLE |
| 23 | R120 | ---- | ---- | GICLEUR PRINCIPAL 120 | MAIN JET 120 | CHICLE PRINCIPAL 120 |
| 23 | R121 | ---- | ---- | GICLEUR PRINCIPAL 121 | MAIN JET 121 | CHICLE PRINCIPAL 121 |
| 23 | R122 | ---- | ---- | GICLEUR PRINCIPAL 122 | MAIN JET 122 | CHICLE PRINCIPAL 122 |
| 23 | R123 | ---- | ---- | GICLEUR PRINCIPAL 123 | MAIN JET 123 | CHICLE PRINCIPAL 123 |
| 23 | R124 | ---- | ---- | GICLEUR PRINCIPAL 124 | MAIN JET 124 | CHICLE PRINCIPAL 124 |
| 23 | R125 | ---- | ---- | GICLEUR PRINCIPAL 125 | MAIN JET 125 | CHICLE PRINCIPAL 125 |
| 23 | R126 | ---- | ---- | GICLEUR PRINCIPAL 126 | MAIN JET 126 | CHICLE PRINCIPAL 126 |

Carburateur / Carburetor / Carburador Ø26



| POS. | 2.5 | 2.9 | 3.0 | FRANÇAIS | ENGLISH | ESPAÑOL |
|------|------|-------|-------|---------------------------------------|---|--|
| 23 | R127 | ----- | ----- | GICLEUR PRINCIPAL 127 | MAIN JET 127 | CHICLE PRINCIPAL 127 |
| 23 | R128 | ----- | ----- | GICLEUR PRINCIPAL 128 | MAIN JET 128 | CHICLE PRINCIPAL 128 |
| 23 | R129 | ----- | ----- | GICLEUR PRINCIPAL 129 | MAIN JET 129 | CHICLE PRINCIPAL 129 |
| 23 | R130 | ----- | ----- | GICLEUR PRINCIPAL 130 | MAIN JET 130 | CHICLE PRINCIPAL 130 |
| 24 | 3020 | ----- | ----- | CARBURATEUR COMPLET PHBL26BS 250 2010 | A CARBURETOR COMPLETE PHBL26BS 250 2010 | CARBURADOR COMPLETO PHBL26BS 250 2010 |
| 25 | 1251 | ----- | ----- | RONDELLE AIGUILLE CARBU 2.9 3X6X0,50 | WASHER PLAINCARBU 2.9 3X6X0,50 | ARANDELA AGUJA CARBURADOR 2.9 3X6X0,50 |
| 26 | 4000 | ----- | ----- | RONDELLE PAPIER 6 X 10 X 1 | WASHER PAPER 6 X 10 X 1 | ARANDELA PAPEL 6 X 10 X 1 |
| 27 | 4006 | ----- | ----- | JOINT TORIQUE 27.5X31.5X2 NBR | O-RING 27.5X31.5X2 NBR | JUNTA TÓRICA 27.5X31.5X2 NBR |

SHERCO

Motorcycles



PLAY WITH GRAVITY

2014

SHERCO
www.sherco.com